

Reference Manual

Solaira Cosy XL

STANDARD FRONTAGE/FASCIA HEATER MODELS FOR CANADA & USA:

SCOSYXL15240-C	(208V - 1125W / 240V - 1500W)	
SCOSYXL15240LL-C	(208V - 1125W / 240V - 1500W)	LOW LIGHT CANDEL
SCOSYXL20240-C	(208V - 1500W / 240V - 2000W)	
SCOSYXL20240LL-C	(208V - 1500W / 240V - 2000W)	LOW LIGHT CANDEL

C = COLOR CODE



Standard Frontage/Fascia

STAINLESS STEEL FRONTAGE/FASCIA HEATER MODELS FOR CANADA & USA:

SCOSYXL15240SS	(208V - 1125W / 240V - 1500W)	
SCOSYXL20240L1SS	(208V - 1500W / 240V - 2000W)	LOW LIGHT CANDEL
SCOSYXL15240SS	(208V - 1125W / 240V - 1500W)	
SCOSYXL20240L1SS	(208V - 1500W / 240V - 2000W)	LOW LIGHT CANDEL



Stainless Steel Frontage/Fascia

WEATHERPROOF INFRARED HEATERS SUITABLE FOR OUTDOOR AND INDOOR USE - *RESIDENTIAL, COMMERCIAL AND INDUSTRIAL

IN NON-HAZARDOUS LOCATIONS ⚠️ 🔥 ⚡

*2000W heater is not suitable for indoor residential or household use.



INFORESIGHT CONSUMER PRODUCTS INC.

125 Traders Blvd. E Unit # 4, Mississauga, Ontario L4Z 2H3

Tel: 905-568-7655 - Fax: 905-568-7521

Email: info@solairaheaters.com - Website: www.solairaheaters.com

⚠️ IMPORTANT - SAVE THESE INSTRUCTIONS FOR FUTURE REFERENCE



IMPORTANT INSTRUCTIONS



When using electrical short-wave INFRARED HEATERS, basic precautions should always be followed to reduce the risk of fire, electric shock, and injury to persons, including the following:

1. **Read all instructions before using this heater.**
2. Use this heater only as described in this manual. Any other use not recommended by the manufacturer may cause fire, electric shock, or injury to persons.
3. This heater is hot when in use. To avoid burns, do not let bare skin touch hot surfaces. If provided, use handles when moving this heater. Keep combustible materials, such as furniture, pillows, bedding, papers, clothes, and curtains at least 6 feet (1.8m) from the front of the heater and keep them away from the sides and rear.
4. Extreme caution is necessary when any heater is used by or near children or invalids and whenever the heater is left operating and unattended.
5. When not in use, disconnect the supply.
6. Do not operate any heater with a damaged cord or plug or after the heater malfunctions, has been dropped or damaged in any manner. Return heater to authorized service facility for examination, electrical or mechanical adjustment, or repair.
7. This heater is not intended for use in bathrooms, laundry areas and similar locations. Never locate heater where it may fall into a bathtub or other water container.
8. Do not run cord under carpeting. Do not cover cord with throw rugs, runners, or the like. Arrange cord away from traffic area and where it will not be tripped over.



IMPORTANT INSTRUCTIONS



9. To disconnect heater, turn controls to off.
10. Do not insert or allow foreign objects to enter any opening as this may cause an electric shock or fire, or damage the heater.
11. To prevent a possible fire, do not block openings in any manner.
12. A heater has hot parts inside. Do not use it in areas where gasoline, paint, or flammable liquids are used or stored.
13. Do not cover or otherwise obstruct the heater.
14. Do not touch the heater during operation as the body becomes very hot and cause burns. Particular attention has been given where children and vulnerable people are present.



SAVE THESE INSTRUCTIONS



GROUNDING INSTRUCTIONS

The 208V / 240V heaters have a cord from the terminal box which must be permanently connected to a properly grounded supply.




INTRODUCTION

The Cosy XL heater produces short-wave infrared heat like the sun, warming people and objects and not the air in between. It is mounted on an adjustable bracket that allows the heat to be directed exactly where it is required. Its attractive, lightweight design means that it is effective yet unobtrusive. The short-wave infrared weatherproof heater is designed for indoor and outdoor use.

Please read the following instructions carefully before use. The safety of this heater is guaranteed only by its correct usage in accordance with these instructions, therefore they should be retained for future reference.

CAUTION

Before using this appliance:

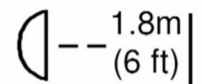
1. Check that the voltage indicated on the units rating label corresponds to the mains supply voltage.
2. Do not install the heaters less than the minimum height from the floor as specified below in the specification - Tables 1 & 2.
3. Ensure that the heater has been securely fastened in its final mounting position.
4. **WARNING** - This appliance must be grounded and hard wired! 
5. **WARNING** - Keep the supply cable away from the front and body of the heater which will get hot during use.
6. Do not cover or obstruct the heater while it is in use.
7. Do not insert any object through any slot or opening in the heater.
8. Do not use if the grille is not present.
9. **WARNING** - Before replacing the lamp emitter or cleaning the unit, ensure that the hard wired circuit is disconnected from the mains supply. **Note:** always ensure that the lamp emitter is cool before handling.
10. Do not handle the lamp emitter with bare hands. If it is inadvertently touched, remove finger marks with a soft cloth and methylated spirit or rubbing alcohol. Otherwise, the marks will burn into the lamp emitter during use causing premature heater failure. 
11. The heater is not intended for use by young children and must be supervised by a responsible person at all times. 



WARNING: RISK OF FIRE



Keep combustible material such as furniture, papers, clothes and curtains at least 6 feet (1.8m) from the front of the heater and away from the sides and rear.



The 240 volt 2 kilowatt heater is not intended for use indoor residential or household heater but maybe used for commercial/industrial use.

SPECIFICATION

Table 1. 208V / 240V Heaters

Model Types	SCOSYXL15240-C & SCOSYXL15240LL-C, SCOSYXL15240SS & SCOSYXL15240L1SS	SCOSYXL20240-C & SCOSYXL20240LL-C, SCOSYXL20240SS & SCOSYXL20240L1SS
Voltage	208V / 240V	
Total Power	1125W / 1500W	1500W / 2000W
Current	5.4A / 6.3A	7.2A / 8.3A
Min. mounting height from floor	6ft 7in (200cm)	6ft 7in (200cm) / 7ft 10½in (240cm)
Min. distance from ceiling	8¾in (22cm)	
Min. distance from side wall	17in (43cm)	17in (43cm) / 25in (64cm)
Dimensions - W x H x D	22in x 4½in x 6¼in (56cm x 11cm x 16cm), 20½in x 4½in x 6¼in (52cm x 11cm x 16cm)	
Weight	6.2lbs (2.8kg)	

INSTALLATION

The 208V / 240V versions of the heater are fitted with a supply cord measuring 79 inches (200cm) for permanent connection.

- WARNING:** Wiring procedures and connections should be in accordance with the National Electric Code (NEC) and local codes.
- WARNING:** If the supply cord becomes damaged, it must be immediately replaced by a qualified person in order to avoid a hazard.
- CAUTION:** Disconnect electric power supply before working on circuit wiring to prevent electric shock.
- CAUTION:** Please observe the minimum safe distance between the heater body and any inflammable surfaces.
- CAUTION:** When the electrical connection is outside a weatherproof socket must be used having ground fault protection (GFCI or GFI).

! NOTE: CONSULT A QUALIFIED ELECTRICIAN, IF IN DOUBT.

MOUNTING

CAUTION

Always isolate the heater from the mains supply when mounting or adjusting the heater position.

The Solaira Cosy XL heater can be mounted in a horizontal (Fig. A) or angled manner (Fig. B) with the standard L-shaped bracket supplied.

1. Securely fasten the Solaira Cosy XL bracket to the mounting surface using the fixing holes in the bracket. Please refer to the specification table for recommended positioning of the heater.

2. Fix in the required angular position by tightening the fixing bolt on the bracket at the rear of the heater.

3. The Solaira Cosy XL bracket can be used to adjust the direction of the heater up and down (see Fig. C). This is done by loosening the bolts fixing the heater to the bracket, and then retightening once the correct position is achieved.

4. Secure the supply cable so the cable is directed away from the heater and is not resting on the body or obstructing the air-vents.

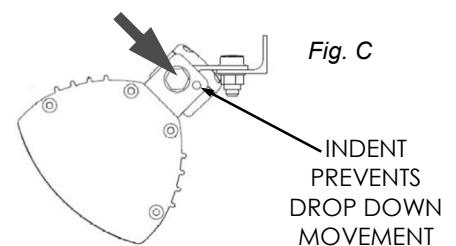
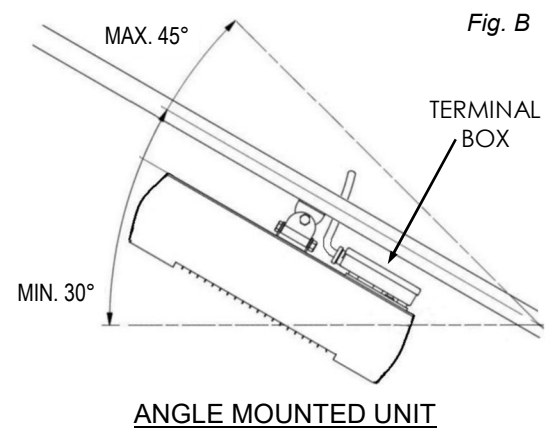
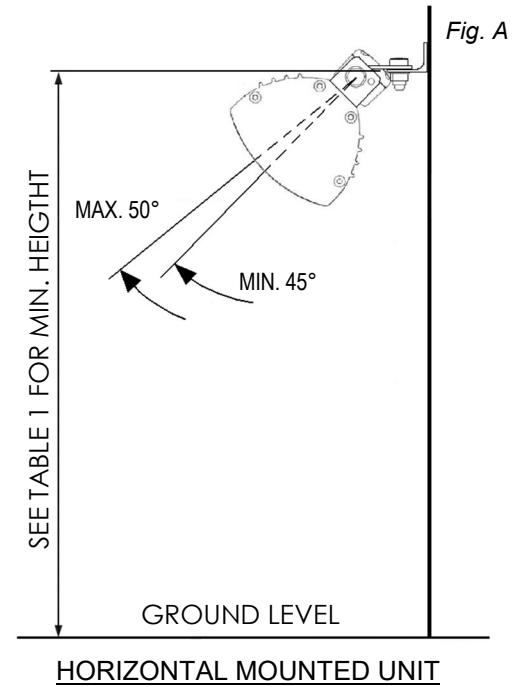
CAUTION: When mounting the heater horizontally, do not position the heater at an angle more than 50° or less than 45° as shown in Fig. A.

CAUTION: The heater should be mounted with the minimum clearances adhered to. Please refer to Table 1 for the recommended positioning of the heater. Do not install the heater in a corner!

CAUTION: When mounted the heater at an angle, ensure the back of the heater is parallel to the mounting surface (See Fig. B). The heater should always be angled downwards when mounting this way with the terminal box at the bottom of the heater - see Fig. B.

CAUTION: Always allow the heater to cool before attempting to reposition/move. Never attempt to move the heater while it is switched on!

CAUTION: Observe the minimum safe distance between the heater body and inflammable surfaces and objects when mounting (see specification table).



MOUNTING TO A CEILING/OVERHANG



CAUTION



Always isolate the heater from the mains supply when mounting or adjusting the heater position.

The Solaira Cosy XL heater can be mounted to a ceiling or overhang (as shown in Fig. D) using an optional ceiling bracket (not supplied).

1. Securely fasten the ceiling bracket to the mounting surface using the fixing holes in the bracket. Please refer to the specification table for recommended positioning of the heater.
2. Mount the heater to the bracket as shown in Fig. E and fix in the position by tightening the fixing bolt on the bracket at the rear of the heater.
3. Secure the supply cable so the cable is directed away from the heater and is not resting on the body or obstructing the air-vents.

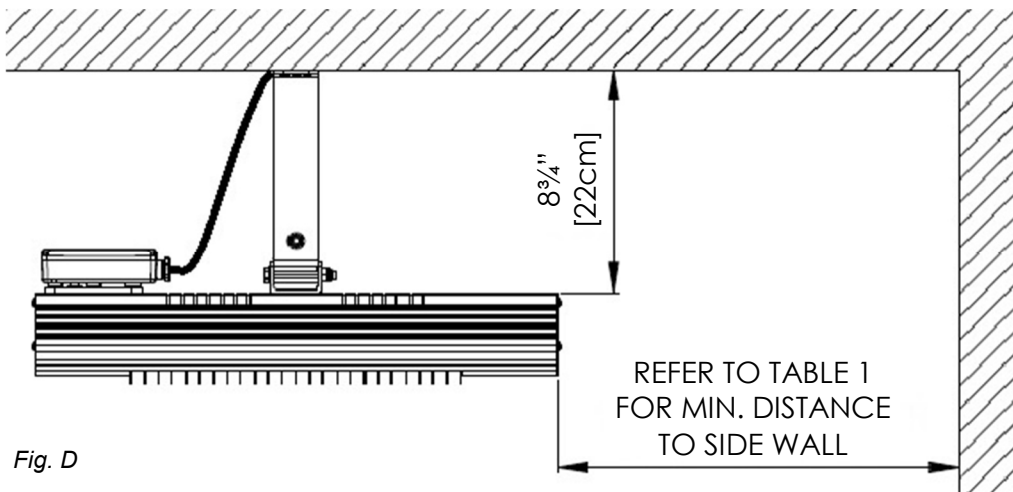


Fig. D

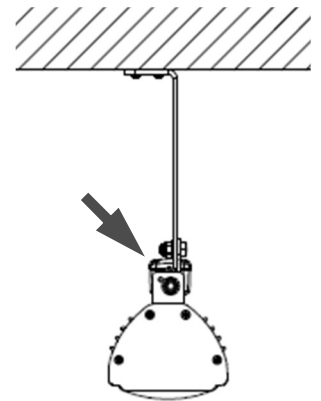


Fig. E

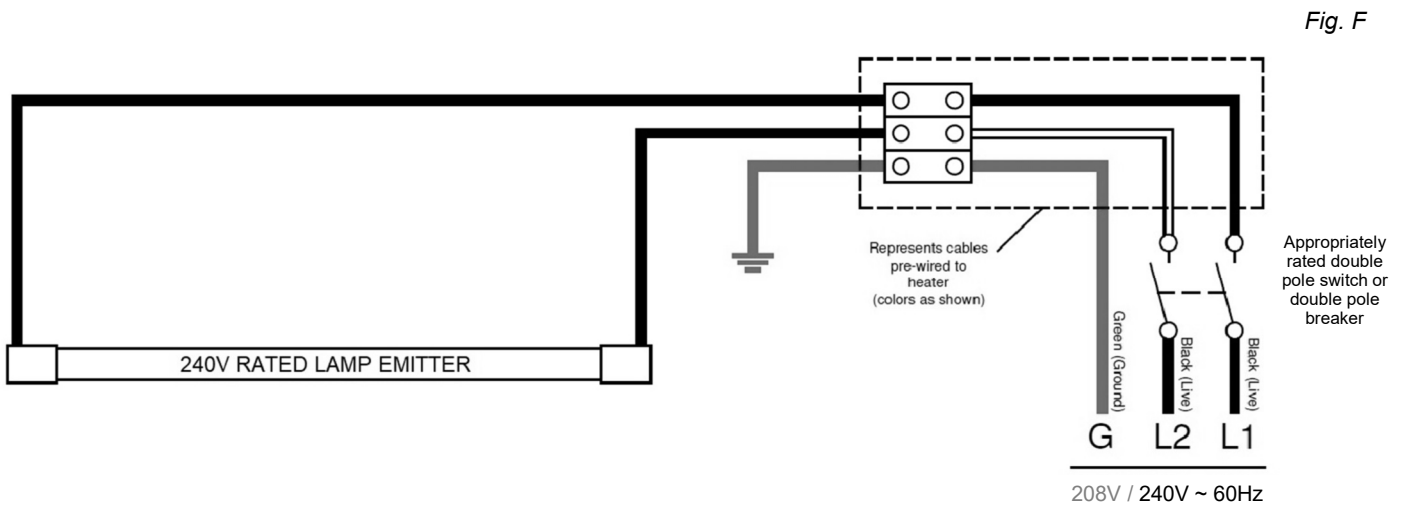
CAUTION: The heater should be mounted with the minimum clearances adhered to. Please refer to the specification table for the recommended positioning of the heater. Do not install the heater in a corner!

CAUTION: The heater should always be angled downwards when mounting this way

CAUTION: Always allow the heater to cool before attempting to reposition/move. Never attempt to move the heater while it is switched on!

CAUTION: Observe the minimum safe distance between the heater front and inflammable surfaces and objects when mounting.

CIRCUIT DIAGRAM



MAINTENANCE

! **NOTE:** For replacement lamp emitters or spare parts (see diagrams on next page) please contact your local distributor quoting model type and rating from rating label. It is very important that your replacement lamp emitter is exactly the same as the one it was supplied with. Failure to fit the exact same type can cause the heater to prematurely fail.

! **CAUTION:** Always isolate the mains power from the heater or heater assembly before replacing lamp emitters or any maintenance procedure including cleaning.

! **CAUTION:** Should dust or dirt appear on the reflector, it is recommended that the guard and lamp emitter are removed and the reflector is wiped with a lint-free cloth before reassembling (see lamp emitter replacement instructions).

YOUR REPLACEMENT LAMP EMITTER

! **CAUTION:** Please ensure that the length of wires on the replacement lamp emitter are the same as shown in the diagram below (Fig. G).

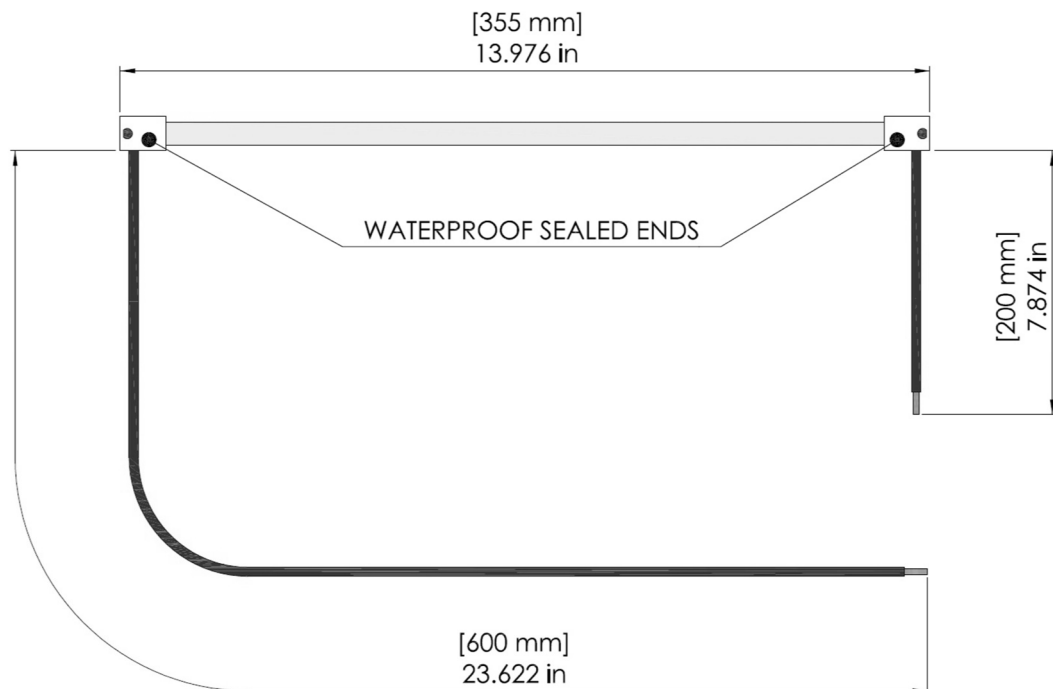
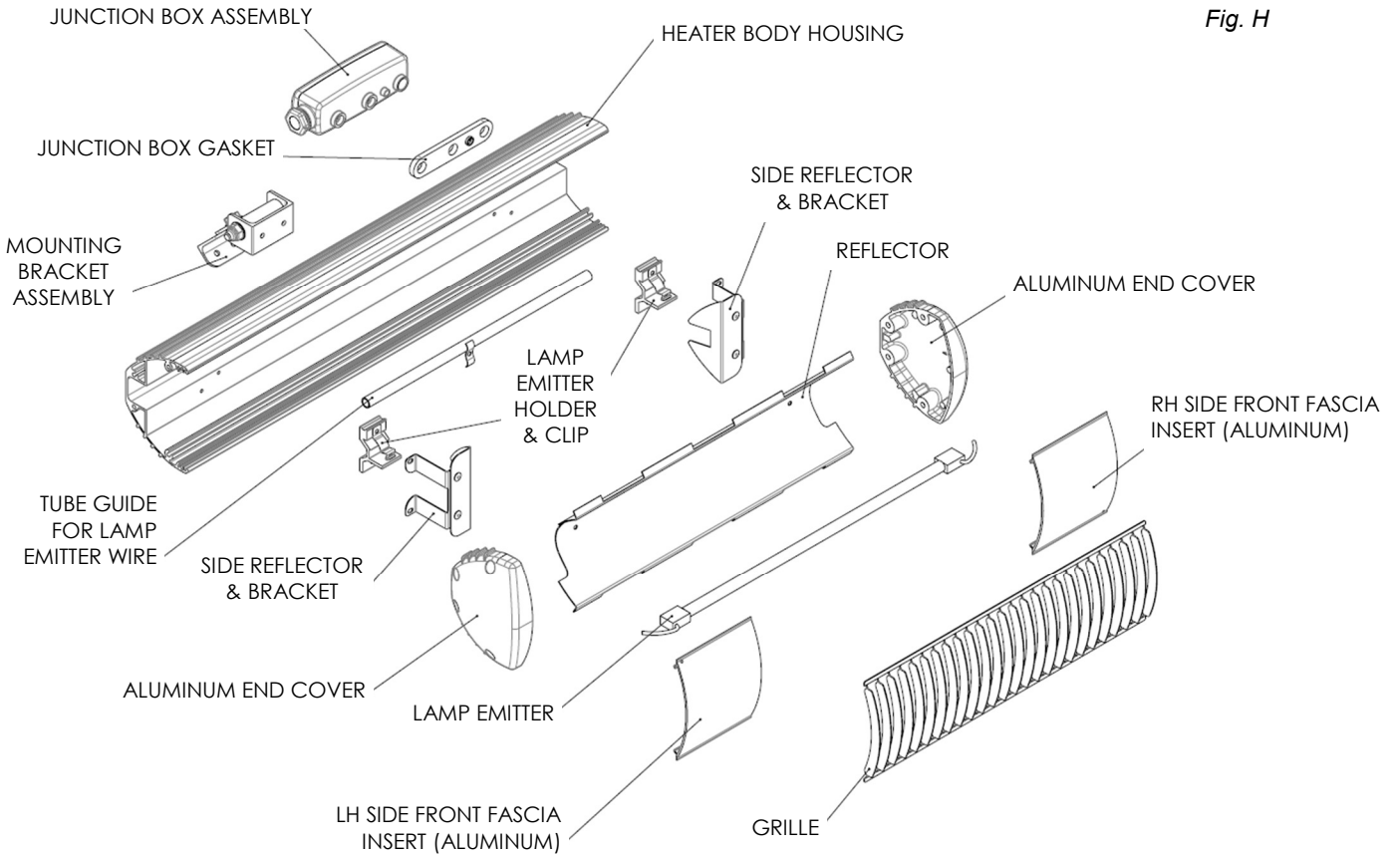


Fig. G

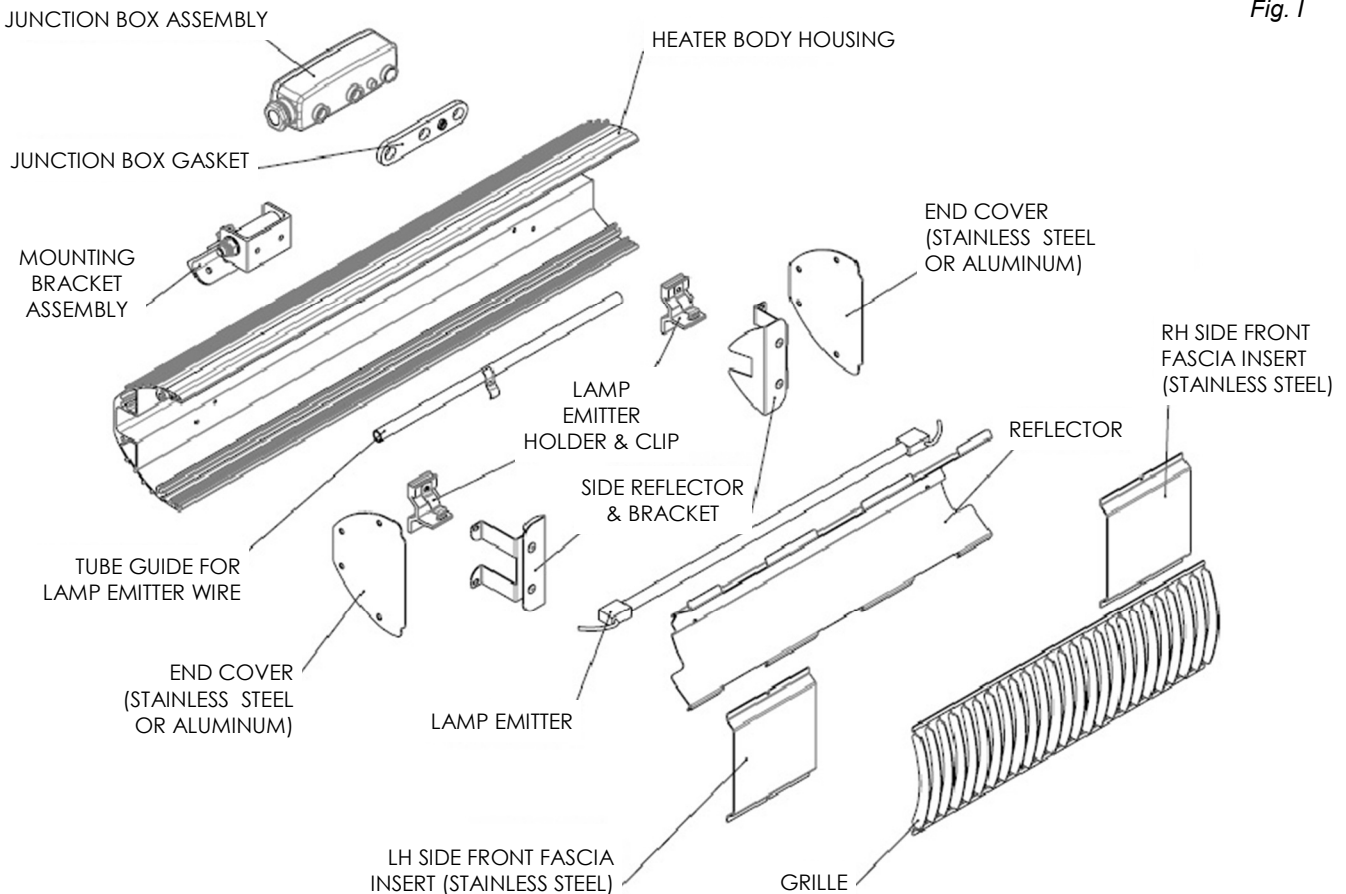
SOLAIRA COSY XL - COMPONENT PART DIAGRAM

Fig. H



SOLAIRA COSY XL STAINLESS STEEL - COMPONENT PART DIAGRAM

Fig. I



REPLACING THE LAMP EMITTER



CAUTION



Disconnect from the mains power before any attempts are made to replace the lamp emitter. Contact your distributor for the correct replacement quoting model type and rating from the rating label. We recommend you read through the procedure and refer to the parts diagram on the previous page of this manual before commencing work.

1. Ensure the heater and lamp emitter are cool and the power supply is disconnected before disassembly.
2. Remove the heater from its mounted position should if it is not safe to work on it while mounted.
3. Remove the screws from the junction box (Fig. J) and lift off the cover.



Fig. J

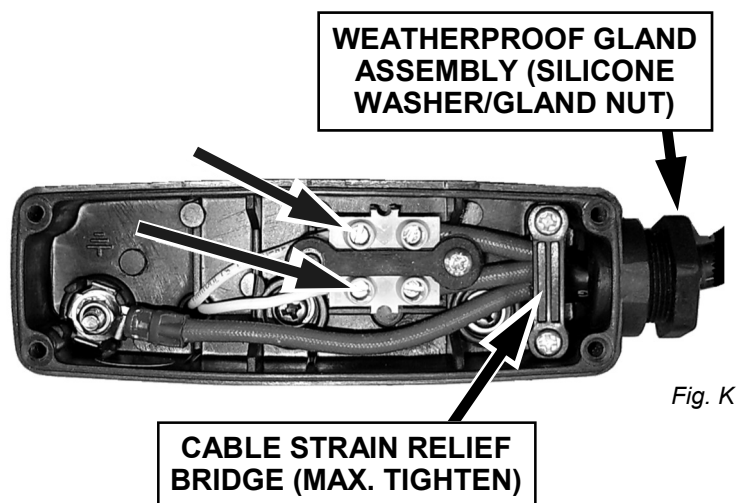


Fig. K

4. Disconnect the lamp emitter wires from the connector blocks by unscrewing the screws highlighted above in Fig. K.
5. Unscrew the four screws (see Fig. L) from the end cover and remove from the heater body. Repeat at opposite end.
6. Slide out the side covers from both ends as shown in Fig. M.

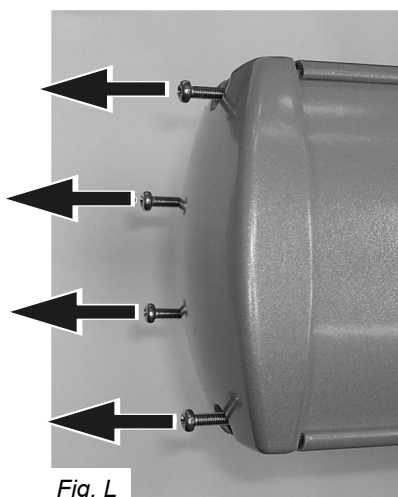


Fig. L

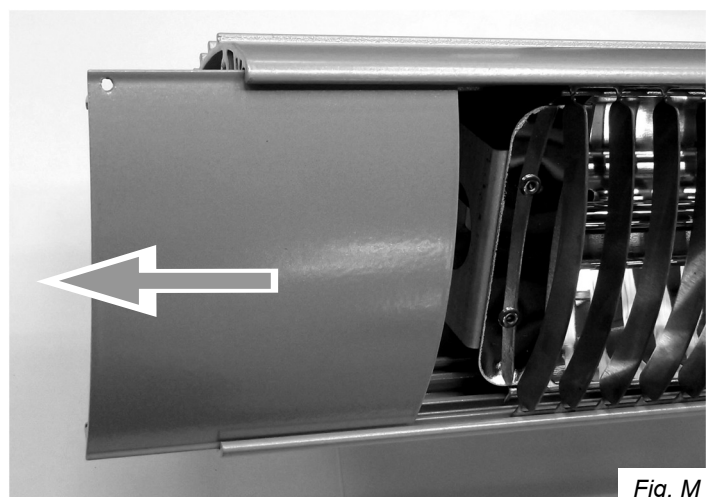


Fig. M

7. Remove the two screws as highlighted on in Fig. N to take out the side reflector bracket and reflector assembly that allows access the lamp emitter holding clip. Repeat at opposite end of the lamp emitter.

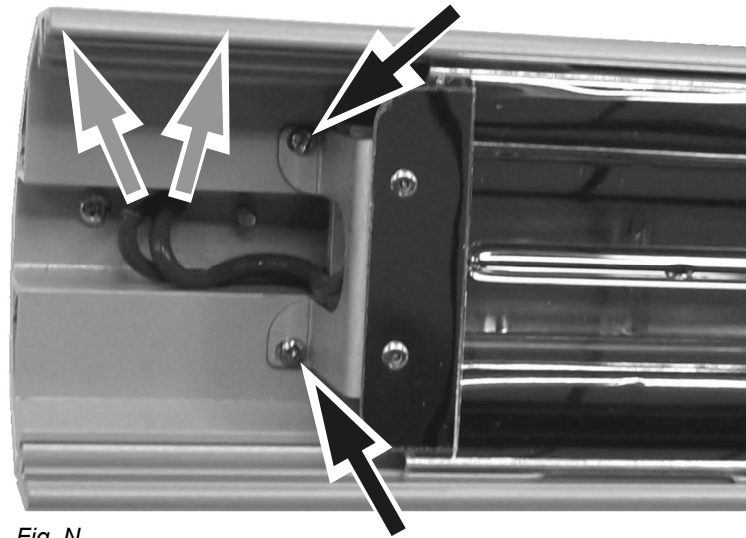


Fig. N

8. Where the lamp emitter wires are fed through the gasket into the terminal box (Fig. N), gently pull the lamp emitter wires through the body of the heater so the wires exit the junction box.



Fig. P

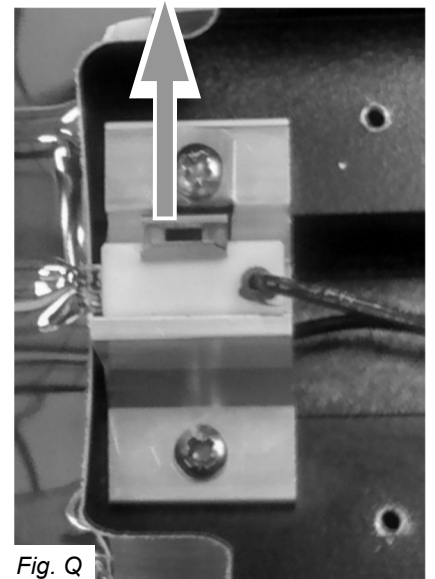


Fig. Q

9. At the opposite end of the lamp emitter, the wire will be clearly visible in the lamp emitter wire tube so gently pull the long wire (Fig. P) out of the tube until it is free.

10. One at a time pull the spring clips back in the direction shown in Fig. Q and lift up the ceramic caps of the lamp emitter to remove it from the heater.

11. The lamp emitter should now be removed from the heater. Refit the new lamp emitter in reverse order ensuring the ceramic caps are correctly seated in the lamp emitter holders, no wires are trapped and all screws are refitted and fully tightened.

Solaira Cosy XL

STANDARD FRONTAGE/FASCIA HEATER MODELS FOR CANADA & USA:

SCOSYXL15240-C	(208V - 1125W / 240V - 1500W)	
SCOSYXL15240LL-C	(208V - 1125W / 240V - 1500W)	LOW LIGHT CANDEL
SCOSYXL20240-C	(208V - 1500W / 240V - 2000W)	
SCOSYXL20240LL-C	(208V - 1500W / 240V - 2000W)	LOW LIGHT CANDEL

C = COLOR CODE



Standard Frontage/Fascia

STAINLESS STEEL FRONTAGE/FASCIA HEATER MODELS FOR CANADA & USA:

SCOSYXL15240SS-C	(208V - 1125W / 240V - 1500W)	
SCOSYXL20240SSLL-C	(208V - 1500W / 240V - 2000W)	LOW LIGHT CANDEL
SCOSYXL15240SS-C	(208V - 1125W / 240V - 1500W)	
SCOSYXL20240SSLL-C	(208V - 1500W / 240V - 2000W)	LOW LIGHT CANDEL

C = COLOR CODE



Stainless Steel Frontage/Fascia



**IMPORTANT - SAVE THESE
INSTRUCTIONS FOR FUTURE REFERENCE**



INFORESIGHT CONSUMER PRODUCTS INC.

125 Traders Blvd. E Unit # 4, Mississauga, Ontario L4Z 2H3

Tel: 905-568-7655 - Fax: 905-568-7521 - Email: info@solairaheaters.com - Website: www.solairaheaters.com

Due to our policy of ongoing improvement, we reserve the right to make changes without notice.

© 2021 INFORESIGHT CONSUMER PRODUCTS INC.

Ref No. 043498-2-EN-S Issue No. Oa