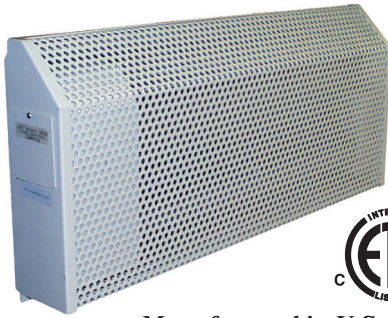


8800 Series Institutional Wall Convectors



Manufactured in U.S.A.

- Single phase heaters available in all common voltages from 120V to 600V.
 - 11 Gauge perforated steel housing powder coated with textured ivory finish.
 - Tamper proof left side control panel houses built-in single pole thermostat - range 40°F-110°F and disconnect switch. Thermostat on 120V-277V units is line voltage and low voltage (24V) on 346V-600V units.
 - Linear limit type thermal overload with automatic reset.
 - Tamper proof fasteners
 - Stainless steel element with Aluminum fins.
- Note: Not for residential applications.

Standard Models

UPC#	MODEL	WATTS	BTU'S	VOLTS	AMPS	LENGTH (IN.)	LIST
686334							
899000	E8801050	500	1706	120	4.167	18	2333
899062	F8801050			208	2.404		
899123	H8801050			240	2.083		
899185	G8801050			277	1.805		
899246	L8801050			346	1.445		
899307	P8801050			480	1.042		
899369	U8801050			600	0.833		
899017	E8802075			750	2560		
899079	F8802075	208	3.606				
899130	H8802075	240	3.125				
899192	G8802075	277	2.708				
899253	L8802075	346	2.168				
899314	P8802075	480	1.563				
899376	U8802075	600	1.25				
899024	E8803100	1000	3413			120	8.333
899086	F8803100			208	4.808		
899147	H8803100			240	4.167		
899208	G8803100			277	3.610		
899260	L8803100			346	2.890		
899321	P8803100			480	2.083		
899383	U8803100			600	1.667		
899031	E8804125			1250	4266	120	10.417
899093	F8804125	208	6.010				
899154	H8804125	240	5.208				
899215	G8804125	277	4.513				
899277	L8804125	346	3.613				
899338	P8804125	480	2.604				
899390	U8804125	600	2.083				
899048	E8805150	1500	5120			120	12.5
899109	F8805150			208	7.212		
899161	H8805150			240	6.25		
899222	G8805150			277	5.415		
899284	L8805150			346	4.335		
899345	P8805150			480	3.125		
899406	U8805150			600	2.5		
899055	E8806200			2000	6826	120	16.667
899116	F8806200	208	9.615				
899178	H8806200	240	8.333				
899239	G8806200	277	7.220				
899291	L8806200	346	5.780				
899352	P8806200	480	4.167				
899413	U8806200	600	3.333				

International Models

UPC#	MODEL	WATTS	BTU'S	VOLTS	AMPS	LENGTH (IN.)	LIST
686334							
984140	M8801050i	500	1706	220	2.3	18	2333
984157	H8801050i			240	2.1		
984164	M8802075i	750	2560	220	3.4	28	2657
984171	H8802075i			240	3.1		
984188	M8803100i	1000	3413	220	4.5	36	2970
984195	H8803100i			240	4.2		
984201	M8804125i	1250	4266	220	5.7	48	3337
984218	H8804125i			240	5.2		
984225	M8805150i	1500	5120	220	6.8	60	3618
984232	H8805150i			240	6.3		
984249	M8806200i	2000	6826	220	9.1	72	4017
984250	H8806200i			240	8.3		

CABINET:

Institutional enclosure 11 Gauge perforated steel with sloped top design. Heavy duty end caps welded to the enclosure. Control compartment for housing thermostat and disconnect switch is accessible by use of security type fastener. The entire enclosure is protected by epoxy powder coated paint finish.

ELEMENT:

All steel high mass element construction with Nickel-Chromium resistance wire embedded in compacted efficient dielectric to ensure proper heat transfer. Aluminum fins mechanically bonded to steel tube allows for increased surface area and even heat transfer.

LIMIT CONTROLS:

Automatic reset hydraulic thermal overload covers full length of heating element and shuts down heater when safe operating temperatures are exceeded.

WIRING:

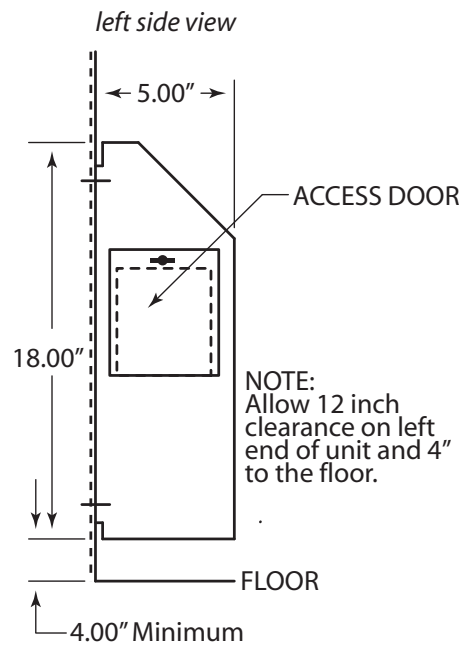
Wiring connections shall be made in left end of cabinet enclosure. Wiring must enter into control enclosure behind perforated steel grill.

CONTROLS:

All controls are accessible only through control enclosure door. Security type fasteners restrict access to controls. Built in thermostat and disconnect switch with manual adjustment are located in control enclosure.

HOW TO DESIGNATE A MODEL:

H	880	3	100
Element Voltage E=120 F=208 G=277 H=240 L=346 P=480 U=600	Series Number	Unit Length 1=18" 2=28" 3=36" 4=48" 5=60" 6=72"	Unit Wattage 050=500 075=750 100=1000 125=1250 150=1500 200=2000



Optional In-Built Controls

SUFFIX	DESCRIPTION	LIST
T2	Tamperproof, Hydraulic, Double pole In-Built thermostat range 40°-110°F, 25 Amp	134
24V*	24 Volt In-Built single pole thermostat for 120V 208V, 240V & 277V models.	162

*Not available on International models