

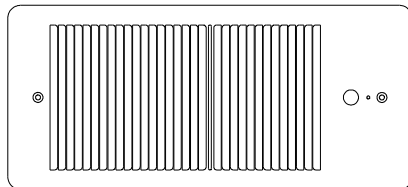
# INSTALLATION AND OPERATION INSTRUCTIONS 4300, 4400 and 4800 SERIES

## INSTALLATION INSTRUCTIONS

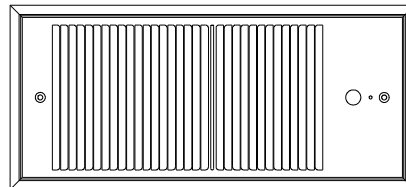


TPI Corporation  
P.O. Box 4973  
Johnson City, TN  
37602-4973

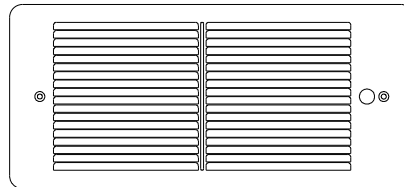
America's Comfort Conditioning Company



4300 SERIES



4400 SERIES



4800 SERIES

**Caution:** To prevent electric shock disconnect power to heater at main service before wiring or service.

**Caution:** Do not obstruct the front of the heater with curtains, furniture, doors, etc. Do not place heaters under towel racks. Proper operation of the heater requires a free flow intake and exhaust of air.

### GENERAL

These heaters are designed for 2 X 4 recessed or surface mount installation. The 4300 and 4400 series heaters may be wall mounted in a vertical position with top discharge, or horizontal position with right or left discharge. The 4800 series unit may be mounted in a horizontal position only. The minimum clearance from wall box to adjacent wall or floor is 6 inches for the 4300 and 4400 series. The minimum clearance for the 4800 series is 6 inches to the adjacent wall and 3 inches minimum from the floor. These heaters must not be installed without wallbox model no. BOX 4300.

### INSTALLATION OF WALL BOX 4300 FOR NEW CONSTRUCTION

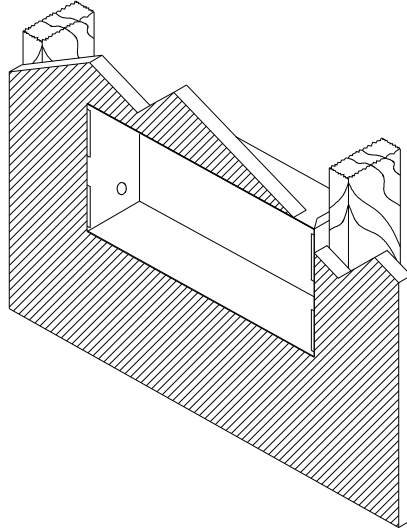
1. Position the wall box, maintaining minimum clearances as stated above. Secure to wall stud with nails or screws. Wall box must be installed with front edge flush with finished wall surface. See figure 1.
2. Remove knockout in wall box for power source, and install cable clamp.
3. Insert supply cable through clamp allowing 6-8" for field wiring.

**NOTE:** Field wiring must enter the wall box on the fan end of the heater.

FORM: 8975  
ECO 1-5367

## INSTALLATION OF WALL BOX4300 FOR EXISTING CONSTRUCTION

Carefully cut a hole measuring 14 1/2" wide by 7 1/8" in wall. Wall box BOX4300 must be attached to a wall stud on one edge. Minimum clearances of 6" must be maintained to adjacent surfaces. Attach wall box and secure power cable as in new construction.



**NOTE: IN THE VERTICAL POSITION THE HEATER CAN BE MOUNTED ONLY FOR TOP DISCHARGE. FIELD WIRING MUST ENTER THE BOTTOM OF THE HEATER.**

### INSTALLATION OF HEATER ASSEMBLY

1. Place heater into wall box and secure with the four no. 8 X 1/2 screws provided.
2. Connect power supply to heater pigtails with wirenuts or crimp terminals.

### INSTALLATION OF GRILLE AND KNOB

1. Place the two no. 8 oval head screws into grille mounting holes.
2. Align grille with heater and secure. Be careful not to over tighten as this may cause fan blade to strike grille.
3. To install knob, remove hole plug in grille and align flat of thermostat shaft with flat on knob. Push knob onto shaft until knob almost touches grille.
4. For tamper-resistant installation, set thermostat with knob, remove knob and replace hole plug. Retain knob for future use.

### OPERATION

1. Turn on the power supply to heater.
2. Rotate thermostat knob fully clockwise.
3. Allow the room to reach desired temperature, then rotate thermostat knob counter clockwise until the heater de-energizes.
4. For remote thermostat operation, thermostat wiring must be the same size as power supply wiring.

**NOTE:** This heater is equipped with a manual reset limit control. Disconnect power before reset button is pushed.

# WIRING SCHEMATICS

