

3470/SCH SERIES

SURFACE MOUNTING - CEILING ONLY

INSTALLATION INSTRUCTIONS

INSTALLATION INSTRUCTIONS



TPI Corporation
P.O. Box 4973
Johnson City, TN
37602-4973

America's Comfort Conditioning Company

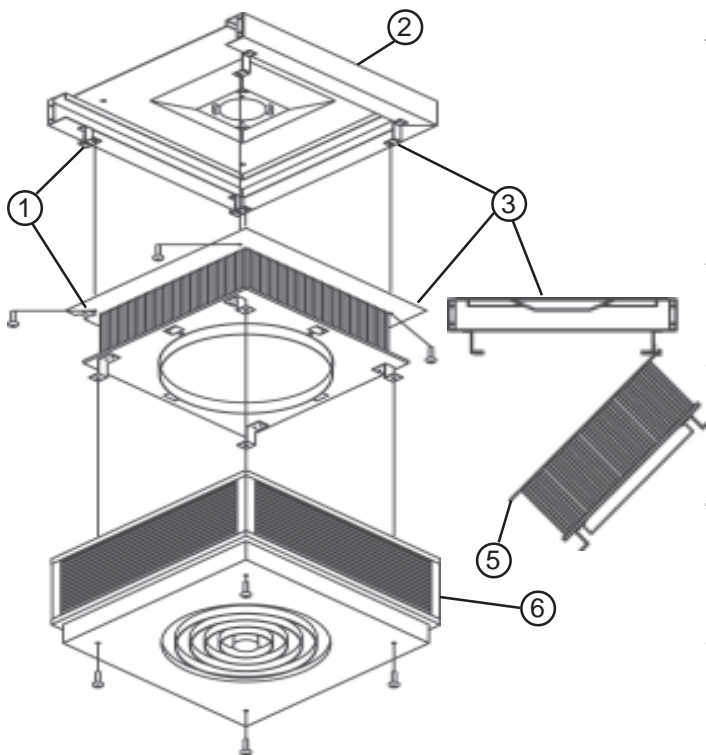
MOUNT HORIZONTAL POSITION ONLY.

DO NOT INSTALL ANY CLOSER THAN 12" TO NEAREST WALL

CHECK TO SEE THAT SERVICE VOLTAGE IS THE SAME AS HEATER VOLTAGE.

ALL WIRING MUST CONFORM TO THE NATIONAL ELECTRIC CODE AND EXISTING LOCAL CODE REQUIREMENTS.

WARNING: To avoid risk of fire, shock or personal injury make certain that the power source is disconnected before attempting to install, service, clean or disassemble the heater or any component. If the power disconnect is out of the line of sight, lock it in the open position and tag it to prevent the application of power.



ATTENTION: Read carefully before attempting to install or operate the heater.

1. Detach heater unit from ceiling mounting plate or control section by disengaging the stabilizing arms on ceiling plate from heater unit. Four (4) #8 drive screws.
2. Install ceiling mounting plate or control section to standard ceiling outlet box (4") with (2) #8-32 x 1 1/4 machine screws provided.
3. Hang heater unit from two stabilizing arms being sure to engage the two arms with the hooked ends on ceiling plate or control section with the two slots in heater back plate.
4. Connect heater leads to corresponding supply leads in outlet box (ordinary 60°C house wire can be used) and install ceiling plate access hole cover with (2) #8 drive screws that are provided.
5. Swing heater unit up to ceiling mounting plate or control section and secure with (4) #8 drive screws provided (one screw in each of the four stabilizing arms).
6. Install heater exterior casing by sliding straight over heater units. Rotate the exterior casing so that the two 1/4" dia. holes in the exterior casing align with the manual reset limit control located on the bottom of the venturi of the heater assembly. Secure to the four bracket arms on the heater case with 4 - **10/32 x 3/4 button head machine screws** provided.

FORM: 9662
ECO 1-5392
REV. 03/06

IMPORTANT: OWNER SHOULD RETAIN THESE INSTRUCTIONS FOR FUTURE REFERENCE

3470/ACH Series

limit reset Instructions

CAUTION: To avoid the risk of fire, shock or personal injury; do not insert or allow any foreign objects or hands to enter any ventilation or exhaust openings.

THERMAL CUTOUT IDENTIFICATION

All 480V Models employ a automatic limit control.

208, 240 and 277V models may employ zero-volt or capillary manual reset limit control.

Models with capillary type manual reset limit control. This device is located on the heater venturi (bottom of unit as installed) with the capillary routed around the outside of the element assembly.

THERMAL CUTOUT OPERATION (WITH ZERO-VOLT RESET)

To reset thermal cutout disconnect all power for 5 minutes then energize unit. If fault continues disconnect power and check for causes.

THERMAL CUTOUT OPERATION (WITH CAPILLARY MANUAL RESET)

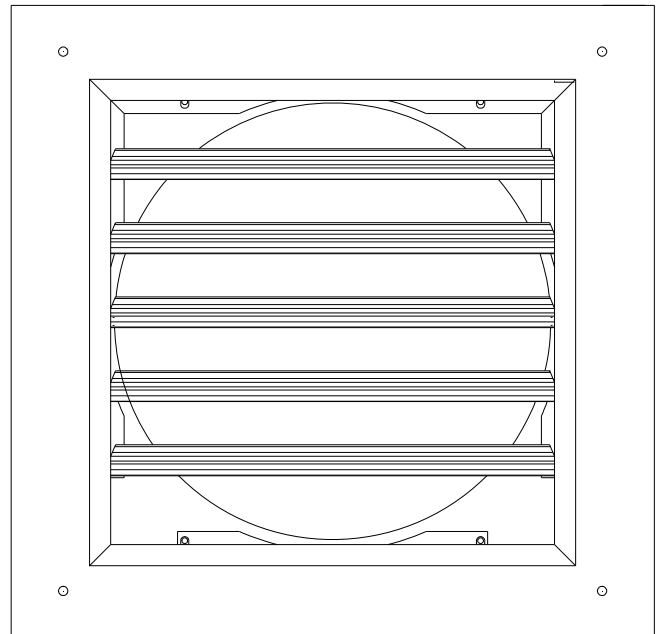
To reset thermal cutout, first disconnect power from the unit allowing time to cool, locate the two 1/4" dia. openings in the front grille. Using a small screwdriver or pencil press the reset button (with minimal amount of force) through the 1/4" opening, then restore power to the unit. If fault continues disconnect power and check for causes.

THERMAL CUTOUT (480 volt models)

If for any reason temperatures increase beyond normal limits, safety thermal limit will open de-energizing heating element and fan motor. Check entire installation to determine cause of overheating and take corrective measures. The limit control is the automatic reset type and after cooling will reset, allowing heater to resume operation.

WIRING DIAGRAMS: Shown on pages 3 and 4 WD-1, -2, and -3 are diagrams of units that employ (zero-volt) manual reset limit control devices. WD-4, -5, and -6 are diagrams of units that employ (capillary) manual reset limit control devices.

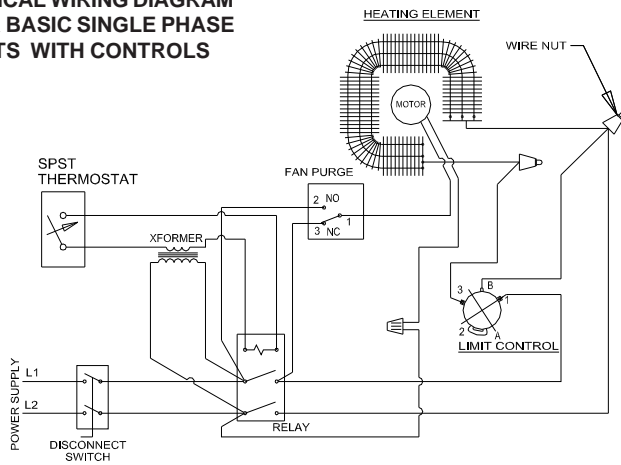
OPTIONAL LOUVERED DIFFUSER



The factory installed louvered diffuser can be adjusted to direct air flow as desired. If necessary the louvered diffuser can be rotated 90 degrees by removing the four mounting screws and turning the louvered diffuser to the desired position and attaching to the grille. Care must be taken to align the notched corners of the diffuser frame with the reset holes in the grille. The louvered diffuser cannot be used in conjunction with the standard circular outlet.

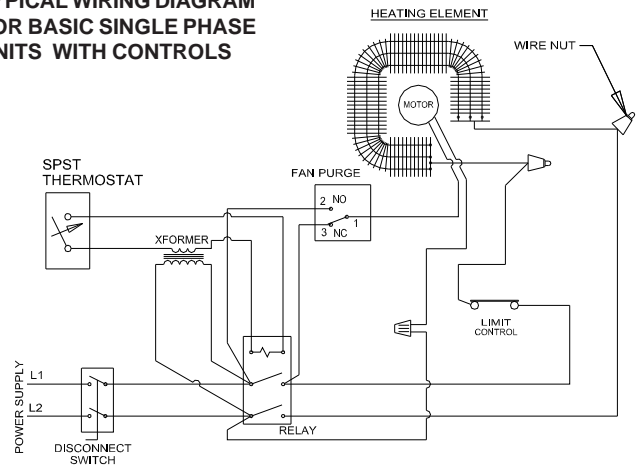
3470 / SCH SERIES CEILING HEATER WIRING DIAGRAM

TYPICAL WIRING DIAGRAM FOR BASIC SINGLE PHASE UNITS WITH CONTROLS



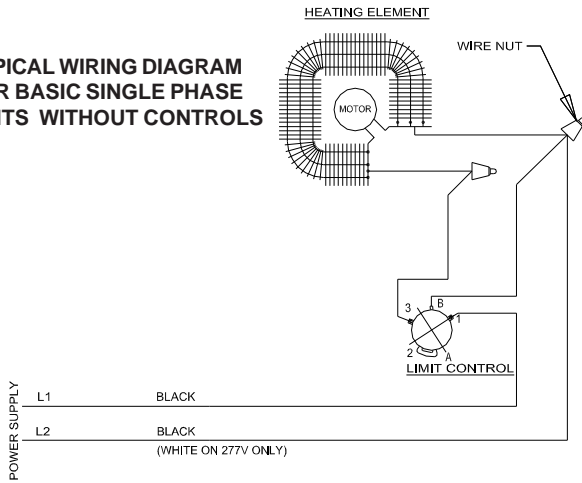
WD-1

TYPICAL WIRING DIAGRAM FOR BASIC SINGLE PHASE UNITS WITH CONTROLS



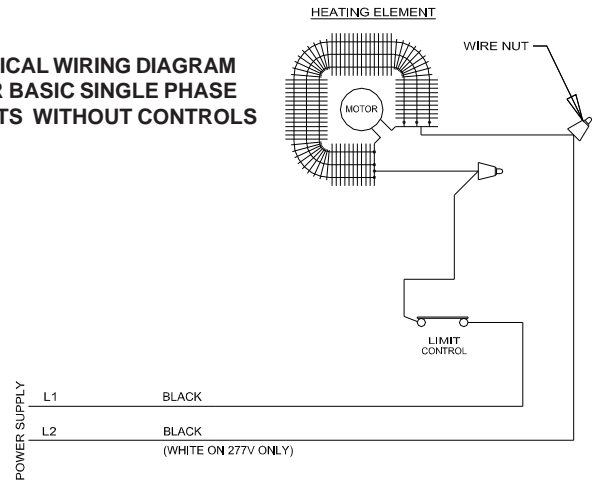
WD-4

TYPICAL WIRING DIAGRAM FOR BASIC SINGLE PHASE UNITS WITHOUT CONTROLS



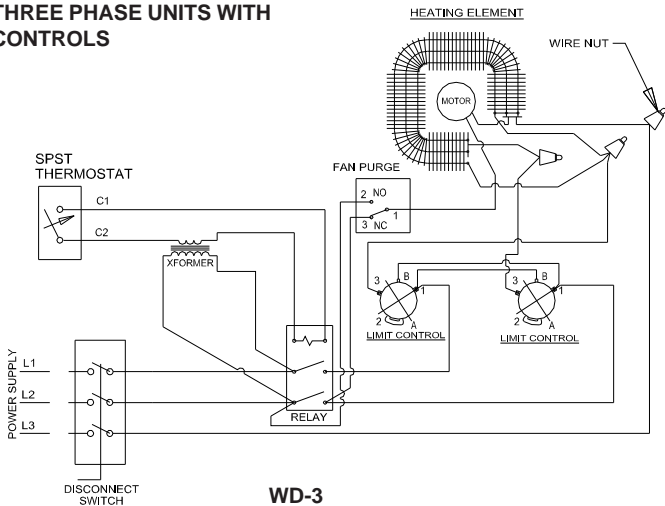
WD-2

TYPICAL WIRING DIAGRAM FOR BASIC SINGLE PHASE UNITS WITHOUT CONTROLS



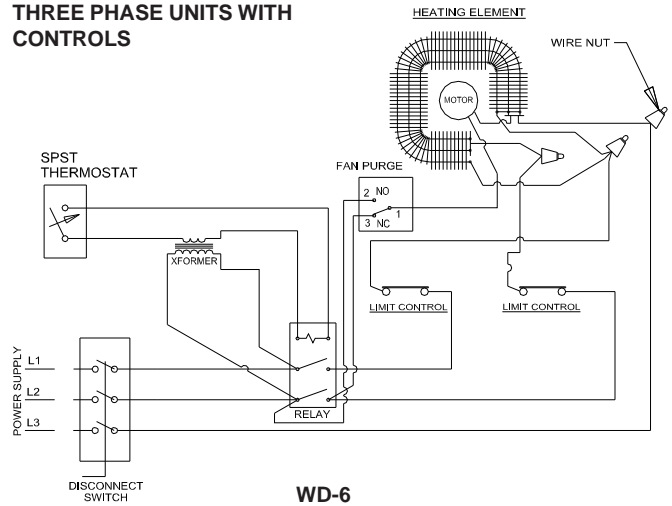
WD-5

TYPICAL WIRING DIAGRAM FOR THREE PHASE UNITS WITH CONTROLS



WD-3

TYPICAL WIRING DIAGRAM FOR THREE PHASE UNITS WITH CONTROLS



WD-6