

3420/AFC SERIES

INSTALLATION INSTRUCTIONS

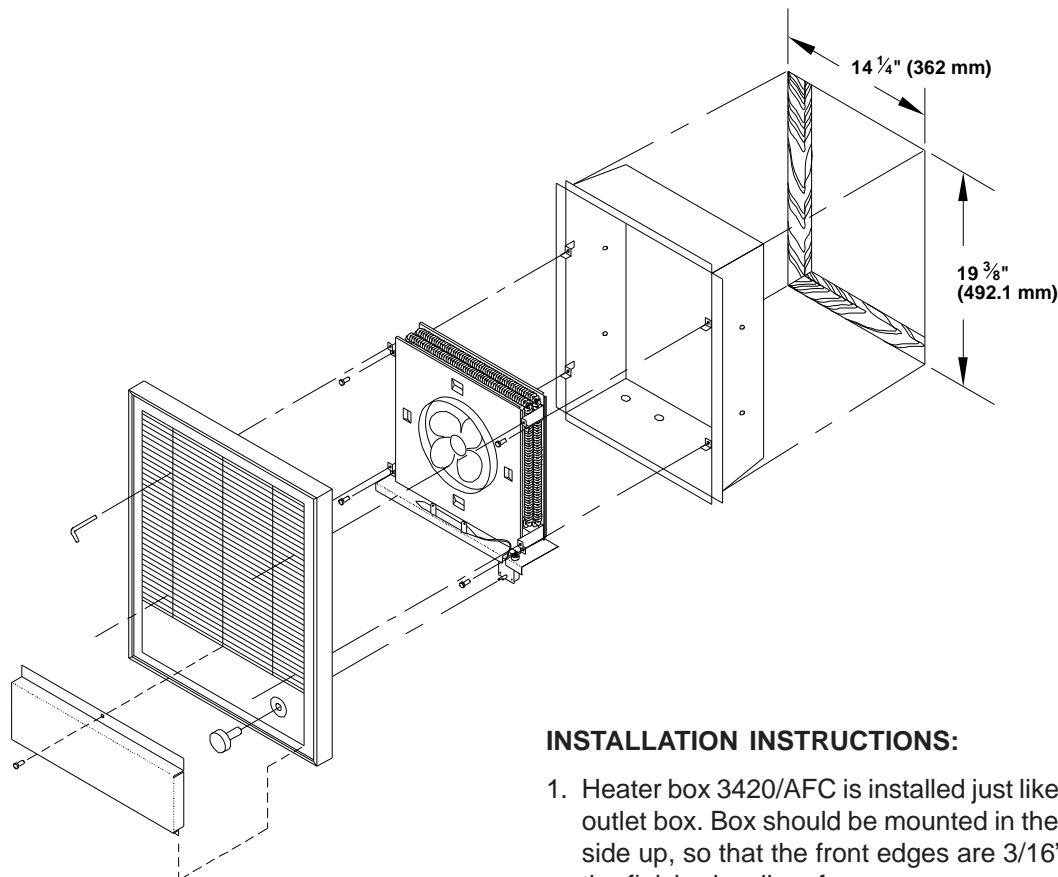
Recessed Mounting 3420/AFC Series

ATTENTION: Read carefully before attempting to install, operate or service the heater.



TPI Corporation
P.O. Box 4973
Johnson City, TN
37602-4973

America's Comfort Conditioning Company



GENERAL SAFETY INFORMATION / CAUTION:

- Mount in vertical position only.
- Do not install any closer than 12" to any vertical surface or 12" to floor.
- Do not mount beneath towel racks or behind doors.
- Heater must have no obstructions in front of it.
- Make certain power supply is same as nameplate voltage on heater.
- All wiring must conform to the National Electric Code and existing local code requirements.

INSTALLATION INSTRUCTIONS:

1. Heater box 3420/AFC is installed just like ordinary outlet box. Box should be mounted in the wall - top side up, so that the front edges are 3/16" away from the finished wall surface.
2. The knockouts on bottom and back of box can be used for conduit, metallic or nonmetallic armored cable. Terminate feed lines at knockout.
3. Mount heater mechanism to interior of box by inserting straight into box engaging (4) lower tabs on interior mounting brackets with (4) tabs on wall box. Secure with (4) screws supplied.
4. Mount heater front to heater mechanism mounting brackets (4) top tabs with (4) allen head screws trapped behind louvers to engage (4) allen head screws.

Thermal Cutout operation shown on reverse page.

Form 9282
REV. 2/06

IMPORTANT: OWNER SHOULD RETAIN THESE INSTRUCTIONS FOR FUTURE REFERENCE

3420/AFC SERIES

INSTALLATION INSTRUCTIONS

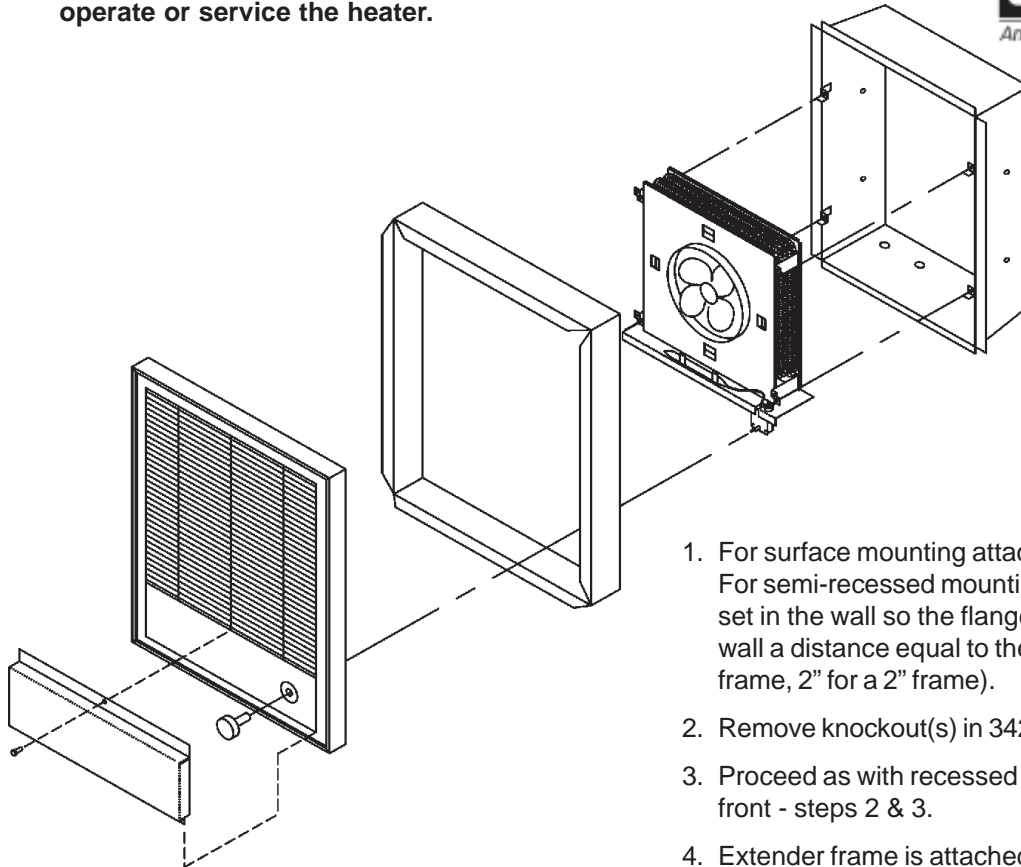
Surface Mounting
Semi-Recessed Mounting
3420/AFC Series

ATTENTION: Read carefully
before attempting to install,
operate or service the heater.



TPI Corporation
P.O. Box 4973
Johnson City, TN
37602-4973

America's Comfort Conditioning Company



1. For surface mounting attach 3420/AFC box to wall. For semi-recessed mounting 3420/AFC box should be set in the wall so the flange is out from the finished wall a distance equal to the frame depth (1" for a 1" frame, 2" for a 2" frame).
2. Remove knockout(s) in 3420/AFC as required.
3. Proceed as with recessed installation described on front - steps 2 & 3.
4. Extender frame is attached to heater front (slip fit) and this assembly is then attached to the heater following step 4 on front. Frame is captured between heater front and finished wall.

GENERAL SAFETY INFORMATION / CAUTION:

- Mount in vertical position only.
- Do not install any closer than 12" to any vertical surface or 12" to floor.
- Do not mount beneath towel racks or behind doors.
- Heater must have no obstructions in front of it.
- Make certain power supply is same as nameplate voltage on heater.
- All wiring must conform to the National Electric Code and existing local code requirements.

INSTALLATION INSTRUCTIONS:

- For Surface Mounting use extender 3420/AFC EX34
- For Semi-Recessed Mounting use extender 3420/AFC EX16 for 2", or 3420/AFC EX8 for 1"
- Box 3420/AFC must be used in conjunction with accessory extender.

THERMAL CUTOUT OPERATION (ZERO-VOLT) LIMIT CONTROL

To reset thermal cutout disconnect all power for 5 minutes than energize unit. If fault continues disconnect power and check for cause.

(CAPILLARY) LIMIT CONTROL

To reset thermal cutout disconnect all power, when heater has cooled locate the two 1/4" dia. holes in the control panel portion of the front grille. Using a small screwdriver or pencil press the reset button (with minimal amount of force) through the 1/4" dia. opening, then restore power to the unit. If fault continues disconnect power and check for cause.

Form 9282

IMPORTANT: OWNER SHOULD RETAIN THESE INSTRUCTIONS FOR FUTURE REFERENCE