

INSTALLATION INSTRUCTIONS



TKIT-1 & TKIT-2

Inbuilt Thermostat for the PX, KT, KTW, PAW, W and WHF model heaters

SPECIFICATIONS	Resistive Load	
Source 120 VAC	25 AMP	@ 3000W
Source 208 VAC	25 AMP	@ 5200W
Source 220 VAC	25 AMP	@ 5500W
Source 240 VAC	25 AMP	@ 6000W
Source 277 VAC	18 AMP	@ 4985W
Temperature range	40° -90°F	(4° -32° C)
Frequency	50-60 Hz	
Accuracy	7°F +/- 3.5°C	
Inductive Load	1/2HP	
Snap Action / Open On Temp. Rise/ Bimetal Sensor		

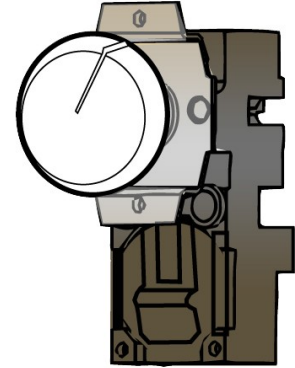


Fig 1

Approved for US & Canada
UL LISTED

DANGER
ELECTRIC SHOCK OR FIRE HAZARD
READ ALL WIRE SIZING, VOLTAGE REQUIREMENTS AND SAFETY DATA TO AVOID PROPERTY DAMAGE AND

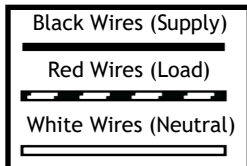
WARNING

READ CAREFULLY - These instructions were written to help prevent difficulties that might arise during thermostat installation. Studying the instructions first may save considerable time and money later. Observing the following procedures will keep installation time to a minimum. Save these instructions for future use.

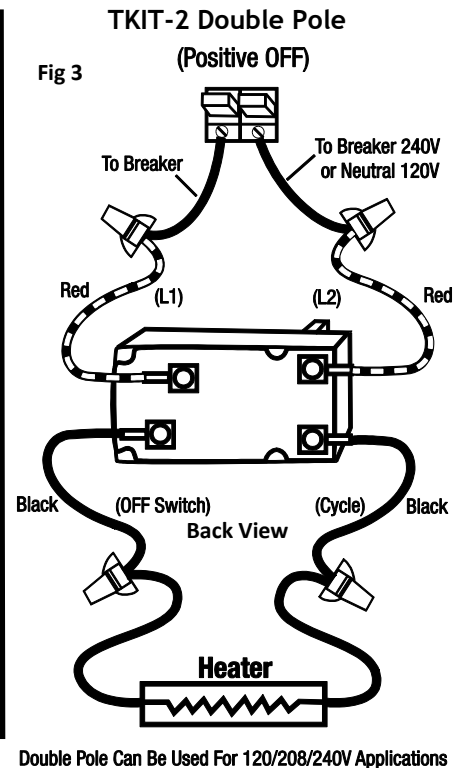
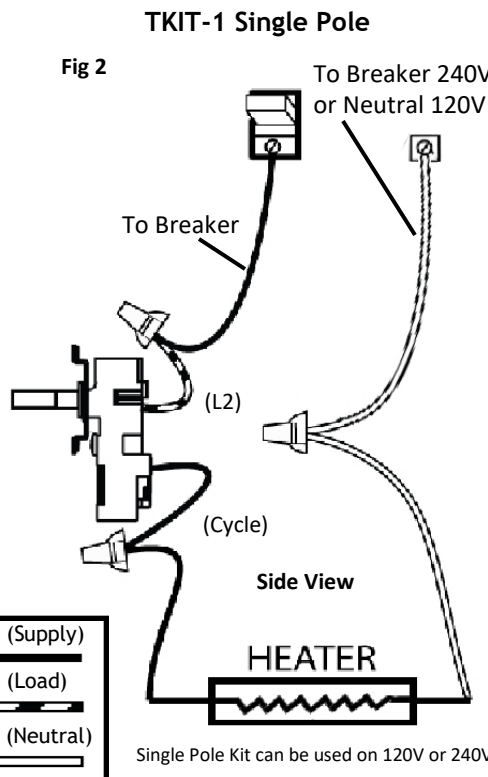
INSTRUCTIONS

WARNING: Turn off power at the breaker before installing.

1. Mount Thermostat with provided screws.
2. Wire the thermostat with RED thermostat wires to breaker, BLACK thermostat wires to heater, white neutral wires to heater.
3. Install heater assembly into wall can.
4. Remove 1/2" knockout in grill.
5. Mount grill with provided screws.
6. Place plastic knob by pushing through grill opening.



WIRING DIAGRAMS



INSTALLATION INSTRUCTIONS



TKIT-1 & TKIT-2

Inbuilt Thermostat for the PX, KT, KTW, PAW, W and WHF model heaters

SPECIFICATIONS	Resistive Load	
Source 120 VAC	25 AMP	@ 3000W
Source 208 VAC	25 AMP	@ 5200W
Source 220 VAC	25 AMP	@ 5500W
Source 240 VAC	25 AMP	@ 6000W
Source 277 VAC	18 AMP	@ 4985W
Temperature range	40° - 90° F	(4° - 32° C)
Frequency	50-60 Hz	
Accuracy	7° F +/- 3.5° C	
Inductive Load	1/2HP	

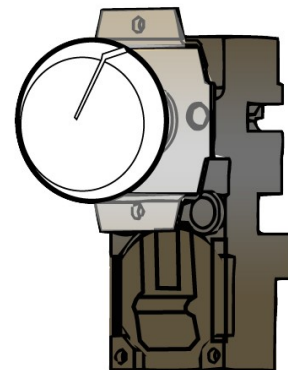


Fig 1



DANGER

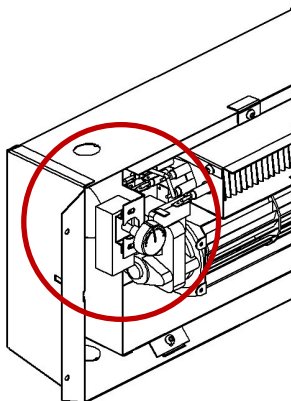
ELECTRIC SHOCK OR FIRE HAZARD

READ ALL WIRE SIZING, VOLTAGE REQUIREMENTS AND SAFETY DATA TO AVOID PROPERTY DAMAGE AND

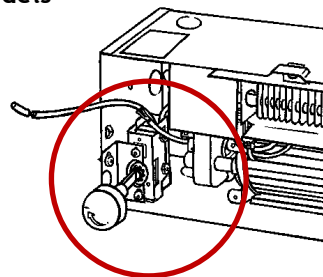
MOUNTING LOCATIONS

Use the two sheet metal screws provided to fasten the mounting bracket as shown above. Use the two machine screws to mount the thermostat to the mounting bracket.

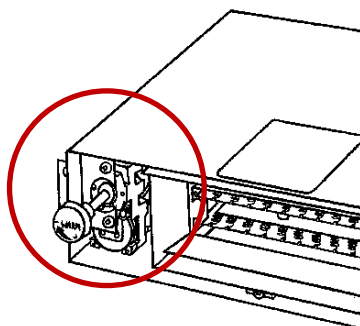
PX Models



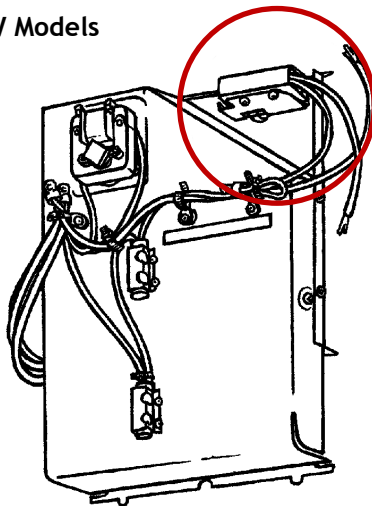
PAW Models



KT & KTW Models



W Models



WHF Models

