

COMMERCIAL BASEBOARD

CBF SERIES

A STURDY BASEBOARD THAT CAN BE RECESSED

The CBF commercial baseboard heater is the suitable choice for commercial buildings, passageways and any other public establishment where wall space is precious and recessed installation is ideal. Surface mountable as well, this heater looks great on its own or installed one after the other in a continuous fashion around the perimeters of a room or corridor.



CAN BE RECESSED
DIRECTLY UNDER WINDOWS

THREE WATT DENSITIES OFFERED

BLANK SECTIONS AVAILABLE
FOR A CONTINUOUS EFFECT

IDEAL FOR:

SCHOOL, SHOPPING MALL, HOSPITAL

COLOURS

- standard: white, soft white
- ORORA (optional): denim blue, midnight blue, turquoise, moss green, canary yellow, red, orange, anodized aluminum paint, gravel gray, charcoal, espresso, almond, black (refer to [page 10 of the catalogue](#))

FINISH

epoxy-polyester powdercoat

MANUFACTURING

- 18-gauge steel cabinet and 16-gauge steel front panel
- thermal protection with automatic reset
- full-length wireway
- pencil-proof openings of less than 1/4 in. (6.4 mm) prevent foreign objects from entering the unit

ELEMENT

single tubular, stainless steel sheathed element with boxed aluminum fins for improved heat dissipation; the element is securely fastened at its center, floating in nylon sleeves at each end, eliminating expansion and contraction noises

CONTROL

- wall thermostat (not included) – the use of an electronic thermostat is strongly recommended
- built-in tamper-proof thermostat accessible without removing front grille, installed in the left or right junction box (optional)
- low voltage relay kit installed in the left or right junction box (optional)

INSTALLATION

- surface mounted or wall recessed with 4-piece trim frame (optional)
- wall or floor mounted with or without pedestal kit (optional)
- wiring compartments at both ends of unit
- blank sections (custom lengths) and accessories are available for a continuous effect (optional)

ACCESSORIES

PRODUCT	DESCRIPTION
CBFT12*	built-in tamper-proof single pole thermostat
CBFT22*	built-in tamper-proof double pole thermostat
CBFRE153*	built-in electronic low voltage relay [15 A @ 120 V-347 V]
CBFRE156*	built-in electronic low voltage relay [6 A @ 600 V]
CBFRE153T*	built-in electronic low voltage relay c/w transformer 24 V [15 A @ 208 V-347 V]
CBFRM240T*	electro. mecha. relay c/w transformer 24 V [6000 W @ 240 V and 5200 W @ 208 V]
CBFRM347T*	electro. mecha. relay c/w transformer 24 V [6000 W @ 347 V]
CBFRM347C*	electro. mecha. relay w/o transformer 24 V [6000 W @ 120-347 V]
CBFR841D1036*	electro. mecha. relay w/o transformer 24 V [6000 W @ 600 V]
CBFR841C1151*	built-in mechanical low voltage relay c/w transformer 24 V [6000 W @ 600 V]
PK2*	pedestal kit (kit of two)
CBFJS*	joiner strip (2 in. – 51 mm)
CBFIC90*	inside corner (back measures 5 7/8 in. (149 mm) long on each side)
CBFOC90*	outside corner (back measures 5 7/8 in. (149 mm) long on each side)
CBFTB*	4-piece trim frame
CBFCB**	clean back (fully finished, no mounting holes or knockouts)
CBFDIS250*	disconnect switch [120 V-250 V] [17 A @ 120 V-12 A @ 250 V]
CBFDIS600*	disconnect switch [277 V-600 V]

Electronic relays can receive a PWM (pulsed width modulation) or digital (on/off) signal.

* Add W for white or SW for soft white

* Factory installed

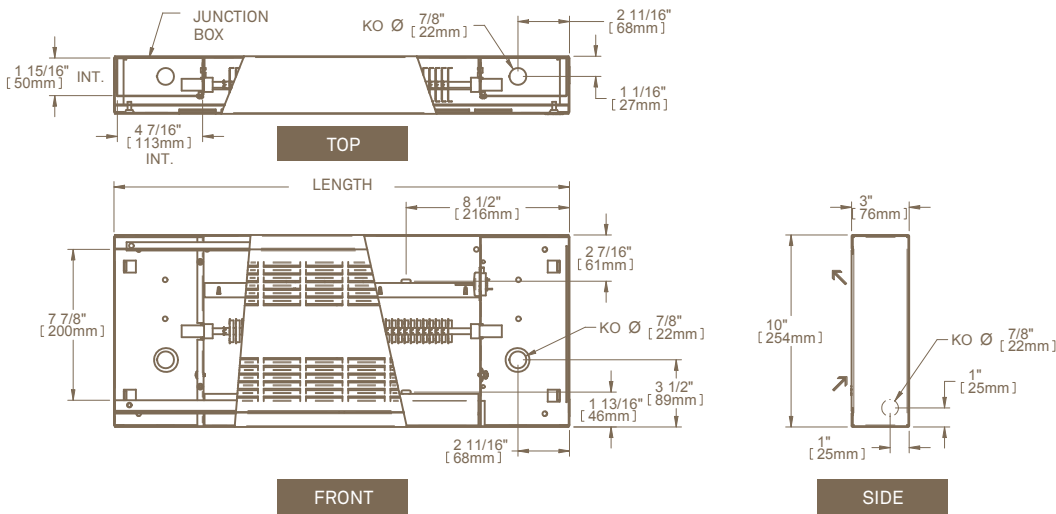
* Factory installation is strongly recommended

TECHNICAL SPECIFICATIONS

STANDARD DENSITY 250 W PER LINEAR FOOT		MEDIUM DENSITY 200 W PER LINEAR FOOT		LOW DENSITY 150 W PER LINEAR FOOT		VOLTAGE	LENGTH		WEIGHT	
CODE	WATTS	CODE	WATTS	CODE	WATTS	VOLTS	MM	IN.	KG	LB
CBF6051	500	CBF6041	400	CBF6031	300	120	600	23 5/8	6.4	14
CBF6058	500	CBF6048	400	CBF6038	300	208	600	23 5/8	6.4	14
CBF6052	500	CBF6042	400	CBF6032	300	240	600	23 5/8	6.4	14
CBF6057	500	---	400	---	300	277	600	23 5/8	6.4	14
CBF6053	500	---	400	---	300	347	600	23 5/8	6.4	14
---	500	---	400	---	300	480	600	23 5/8	6.4	14
---	500	---	400	---	300	600	600	23 5/8	6.4	14
CBF9071	750	CBF9061	600	CBF9041	450	120	900	35 7/16	9.1	20
CBF9078	750	CBF9068	600	CBF9048	450	208	900	35 7/16	9.1	20
CBF9072	750	CBF9062	600	CBF9042	450	240	900	35 7/16	9.1	20
CBF9077	750	CBF9067	600	CBF9047	450	277	900	35 7/16	9.1	20
CBF9073	750	CBF9063	600	CBF9043	450	347	900	35 7/16	9.1	20
CBF9075	750	---	600	---	450	480	900	35 7/16	9.1	20
CBF9076	750	---	600	---	450	600	900	35 7/16	9.1	20
CBF12101	1000	CBF12081	800	CBF12061	600	120	1200	47 1/4	13.6	30
CBF12108	1000	CBF12088	800	CBF12068	600	208	1200	47 1/4	13.6	30
CBF12102	1000	CBF12082	800	CBF12062	600	240	1200	47 1/4	13.6	30
CBF12107	1000	CBF12087	800	CBF12067	600	277	1200	47 1/4	13.6	30
CBF12103	1000	CBF12083	800	CBF12063	600	347	1200	47 1/4	13.6	30
CBF12105	1000	CBF12085	800	---	600	480	1200	47 1/4	13.6	30
CBF12106	1000	CBF12086	800	---	600	600	1200	47 1/4	13.6	30
CBF15121	1250	CBF15101	1000	CBF15071	750	120	1500	59 1/16	16.8	37
CBF15128	1250	CBF15108	1000	CBF15078	750	208	1500	59 1/16	16.8	37
CBF15122	1250	CBF15102	1000	CBF15072	750	240	1500	59 1/16	16.8	37
CBF15127	1250	CBF15107	1000	CBF15077	750	277	1500	59 1/16	16.8	37
CBF15123	1250	CBF15103	1000	CBF15073	750	347	1500	59 1/16	16.8	37
CBF15125	1250	CBF15105	1000	CBF15075	750	480	1500	59 1/16	16.8	37
CBF15126	1250	CBF15106	1000	CBF15076	750	600	1500	59 1/16	16.8	37
CBF18151	1500	CBF18121	1200	CBF18091	900	120	1800	70 7/8	20.0	44
CBF18158	1500	CBF18128	1200	CBF18098	900	208	1800	70 7/8	20.0	44
CBF18152	1500	CBF18122	1200	CBF18092	900	240	1800	70 7/8	20.0	44
CBF18157	1500	CBF18127	1200	CBF18097	900	277	1800	70 7/8	20.0	44
CBF18153	1500	CBF18123	1200	CBF18093	900	347	1800	70 7/8	20.0	44
CBF18155	1500	CBF18125	1200	CBF18095	900	480	1800	70 7/8	20.0	44
CBF18156	1500	CBF18126	1200	CBF18096	900	600	1800	70 7/8	20.0	44
---	1750	CBF21141	1400	CBF21101	1050	120	2100	82 11/16	23.1	51
CBF21178	1750	CBF21148	1400	CBF21108	1050	208	2100	82 11/16	23.1	51
CBF21172	1750	CBF21142	1400	CBF21102	1050	240	2100	82 11/16	23.1	51
CBF21177	1750	CBF21147	1400	CBF21107	1050	277	2100	82 11/16	23.1	51
CBF21173	1750	CBF21143	1400	CBF21103	1050	347	2100	82 11/16	23.1	51
CBF21175	1750	CBF21145	1400	CBF21105	1050	480	2100	82 11/16	23.1	51
CBF21176	1750	CBF21146	1400	CBF21106	1050	600	2100	82 11/16	23.1	51
---	2000	---	1600	CBF24121	1200	120	2400	94 1/2	26.8	59
CBF24208	2000	CBF24168	1600	CBF24128	1200	208	2400	94 1/2	26.8	59
CBF24202	2000	CBF24162	1600	CBF24122	1200	240	2400	94 1/2	26.8	59
CBF24207	2000	CBF24167	1600	CBF24127	1200	277	2400	94 1/2	26.8	59
CBF24203	2000	CBF24163	1600	CBF24123	1200	347	2400	94 1/2	26.8	59
CBF24205	2000	CBF24165	1600	CBF24125	1200	480	2400	94 1/2	26.8	59
CBF24206	2000	CBF24166	1600	CBF24126	1200	600	2400	94 1/2	26.8	59
---	2250	---	1800	---	1350	120	2700	106 5/16	27.7	61
CBF27228	2250	CBF27188	1800	CBF27138	1350	208	2700	106 5/16	27.7	61
CBF27222	2250	CBF27182	1800	CBF27132	1350	240	2700	106 5/16	27.7	61
CBF27227	2250	CBF27187	1800	CBF27137	1350	277	2700	106 5/16	27.7	61
CBF27223	2250	CBF27183	1800	CBF27133	1350	347	2700	106 5/16	27.7	61
CBF27225	2250	CBF27185	1800	CBF27135	1350	480	2700	106 5/16	27.7	61
CBF27226	2250	CBF27186	1800	CBF27136	1350	600	2700	106 5/16	27.7	61
---	2500	---	2000	---	1500	120	2700	106 5/16	27.7	61
CBF27258	2500	CBF27208	2000	CBF27158	1500	208	2700	106 5/16	27.7	61
CBF27252	2500	CBF27202	2000	CBF27152	1500	240	2700	106 5/16	27.7	61
CBF27257	2500	CBF27207	2000	CBF27157	1500	277	2700	106 5/16	27.7	61
CBF27253	2500	CBF27203	2000	CBF27153	1500	347	2700	106 5/16	27.7	61
CBF27255	2500	CBF27205	2000	CBF27155	1500	480	2700	106 5/16	27.7	61
CBF27256	2500	CBF27206	2000	CBF27156	1500	600	2700	106 5/16	27.7	61

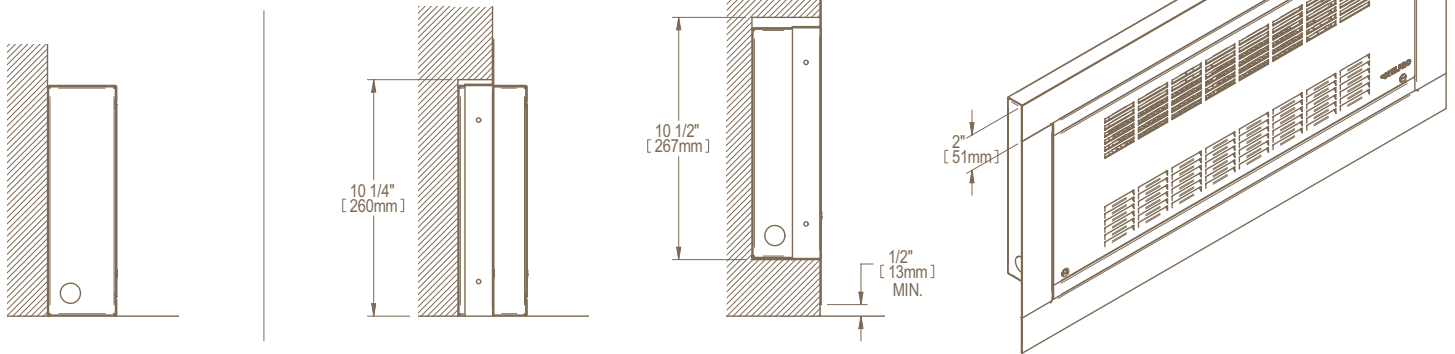
Add W for white or SW for soft white (see page 8 of the catalogue for optional colours and contact your °STELPRO representative for all other colours)
 --- not available

TECHNICAL DRAWINGS



INSTALLATION

- SURFACE MOUNTED**
- RECESSED OR SEMI-RECESSED WITH 4-PIECE TRIM FRAME (OPTIONAL)**



- SURFACE MOUNTED**
- SEMI-RECESSED**
- RECESSED**
- TRIM FRAME**

