

CEILING FAN HEATER

ADR SERIES



THE ONE AND ONLY DRAGON™!

The hallmark of the DRAGON™ is that it recycles residual warm air that has accumulated at the ceiling, mixing it with the cooler air below. The result? Uniform air temperature and energy savings. The DRAGON™ offers an output of 2000 W to 10,000 W, depending on the model, and offers multiple voltages: 208 V, 240 V, 277 V and 480 V. This unit can be ceiling surface mounted or ceiling recessed, suspended at a minimum of 8 feet from the floor. The DRAGON™ is well-suited for building entryways, stairwells, warehouses, garages, workshops, and hallways. Nothing beats the power of the DRAGON™!

HIGH-EFFICIENCY AIR RECYCLING AND RECOVERY

CHOICE OF 2000 W TO 10 000 W

NICHROME ELEMENT

OFFERING STATE-OF-THE ART EFFICIENCY

SURFACE MOUNTED OR RECESSED INSTALLATION

OPTIONAL OFS MODEL TO CONTROL THE FAN-ONLY MODE WITH A WALL SWITCH

IDEAL FOR:

BUILDING ENTRYWAY, WAREHOUSE, STAIRWELL,
GARAGE, WORKSHOP

COLORS

- standard: white, soft white
- ORORA (optional): denim blue, midnight blue, turquoise, moss green, canary yellow, red, orange, anodized aluminum paint, gravel gray, charcoal, espresso, almond, black (refer to www.stelpro.com/en-US/orora)

FINISH

epoxy-polyester powdercoat

MANUFACTURING

- 20-gauge steel cabinet and 14-gauge steel grille
- quiet helicoidal fan
- thermal protection with automatic reset
- totally enclosed, permanently lubricated motor

ELEMENT

nichrome element produces instant heat

CONTROL

- wall thermostat (not included) – the use of an electronic thermostat is strongly recommended
- fan-only mode for continuous air circulation, controlled by built-in selection switch
- disconnect switch option available
- fan-only mode available for use with wall mounted switch (optional OFS model, wall switch not provided)
- heating-mode, confirmed by pilot light when in function
- connection of multiple units to the same thermostat is possible with a relay kit without transformer (optional) and an external transformer (not provided)

INSTALLATION

- ceiling recessed in a T-bar (ADRR model)
- ceiling surface mounted with bracket to support unit during wiring (ADRI & ADRII models) (included)
- install at a minimum distance from adjacent or surrounding walls: 12 in. (ADRR or ADRI models); 24 in. (ADRII models)
- mounting heights: 8 ft. (2 kW or 3 kW units); 10 ft. (4 kW or 5 kW units); 12 ft. (7.5 kW or 10 kW units)

ACCESSORIES

PRODUCT	DESCRIPTION
DRT1	built-in tamper-proof single pole thermostat (ADRR, ADRI or ADRII models)
DRITBA1*	T-bar adapter (ADRI models)
DRIITBA1*	T-bar adapter (ADRII models)
DRC24RX*	relay kit without transformer 24 V (ADRII or ADRR models)
DRIC24RX*	relay kit without transformer 24 V (ADRI models)
DRRDIS*	disconnect switch (ADRR models only)

* Add W for white or SW for soft white

* Factory installed

TECHNICAL SPECIFICATIONS (ADRR MODELS)

WITHOUT CONTROL	BUILT-IN THERMOSTAT	240 V CONTROL	24 V CONTROL	POWER	VOLTAGE	FLOW	WEIGHT
CODE	CODE	CODE	CODE	WATTS	VOLTS	CFM	LB
ADRR0281	ADRR0281T	ADRR0281C	ADRR0281C24	2000	208	250	30
---	ADRR0283CT*	ADRR0283C*	ADRR0283C24*	2000	208	250	30
ADRR0221	ADRR0221T	ADRR0221C	ADRR0221C24	2000	240	250	30
---	ADRR0271CT	ADRR0271C	ADRR0271C24	2000	277	250	30
---	ADRR0251CT	ADRR0251C	ADRR0251C24	2000	480	250	30
---	ADRR0253CT*	ADRR0253C*	ADRR0253C24*	2000	480	250	30
ADRR0381	ADRR0381T	ADRR0381C	ADRR0381C24	3000	208	250	32.5
---	ADRR0383CT*	ADRR0383C*	ADRR0383C24*	3000	208	250	32.5
ADRR0321	ADRR0321T	ADRR0321C	ADRR0321C24	3000	240	250	32.5
---	ADRR0371CT	ADRR0371C	ADRR0371C24	3000	277	250	32.5
---	ADRR0351CT	ADRR0351C	ADRR0351C24	3000	480	250	32.5
---	ADRR0353CT*	ADRR0353C*	ADRR0353C24*	3000	480	250	32.5
ADRR0481	ADRR0481T	ADRR0481C	ADRR0481C24	4000	208	450	32.5
---	ADRR0483CT*	ADRR0483C*	ADRR0483C24*	4000	208	450	32.5
ADRR0421	ADRR0421T	ADRR0421C	ADRR0421C24	4000	240	450	32.5
---	ADRR0471CT	ADRR0471C	ADRR0471C24	4000	277	450	32.5
---	ADRR0451CT	ADRR0451C	ADRR0451C24	4000	480	450	32.5
---	ADRR0453CT*	ADRR0453C*	ADRR0453C24*	4000	480	450	32.5
---	ADRR0581T	ADRR0581C	ADRR0581C24	5000	208	450	34
---	ADRR0583CT*	ADRR0583C*	ADRR0583C24*	5000	208	450	34
ADRR0521	ADRR0521T	ADRR0521C	ADRR0521C24	5000	240	450	34
---	ADRR0571CT	ADRR0571C	ADRR0571C24	5000	277	450	34
---	ADRR0551CT	ADRR0551C	ADRR0551C24	5000	480	450	34
---	ADRR0553CT*	ADRR0553C*	ADRR0553C24*	5000	480	450	34

Add W for white or SW for soft white (see www.stelpro.com/en-US/orora for optional colors and contact your °STELPRO representative for more information)
 Add OFS to control fan-only mode with a wall switch (not provided)
 Add DIS for disconnect switch (not provided)

*Three-phase unit
 --- not available



ADRR MODEL (RECESSED)

A REVOLUTIONARY METHOD OF HEATING, ELIMINATING THE NECESSITY OF THE TRADITIONAL CEILING FAN. The Dragon recuperates the warm air that would otherwise accumulate at the ceiling and recirculates it throughout the room.



ADRII MODEL (SURFACE MOUNTED)

(FOLLOWING PAGE)

A UNIQUE SOURCE OF HEAT OFFERING PERFORMANCE, STYLE, COMFORT AND ECONOMY! Ideal for garages, commercial entrances, factories and warehouses

TECHNICAL SPECIFICATIONS (ADRI AND ADRII MODELS)

WITHOUT CONTROL	BUILT-IN THERMOSTAT	240 V CONTROL	24 V CONTROL	POWER	VOLTAGE	FLOW	WEIGHT
CODE	CODE	CODE	CODE	WATTS	VOLTS	CFM	LB
ADRI0281	ADRI0281T	---	ADRI0281C24	2000	208	250	16
ADRI0221	ADRI0221T	---	ADRI0221C24	2000	240	250	16
ADRI0381	ADRI0381T	---	ADRI0381C24	3000	208	250	16
ADRI0321	ADRI0321T	---	ADRI0321C24	3000	240	250	16
ADRI0481	ADRI0481T	---	ADRI0481C24	4000	208	450	16
ADRI0421	ADRI0421T	---	ADRI0421C24	4000	240	450	16
---	ADRI0581T	---	ADRI0581C24	5000	208	450	16
ADRI0521	ADRI0521T	---	ADRI0521C24	5000	240	450	16
---	ADRII0281T	ADRII0281C	ADRII0281C24	2000	208	450	45
---	ADRII0283CT*	ADRII0283C*	ADRII0283C24*	2000	208	450	45
---	ADRII0221T	ADRII0221C	ADRII0221C24	2000	240	450	45
---	ADRII0271CT	ADRII0271C	ADRII0271C24	2000	277	450	45
---	ADRII0251CT	ADRII0251C	ADRII0251C24	2000	480	450	45
---	ADRII0253CT*	ADRII0253C*	ADRII0253C24*	2000	480	450	45
---	ADRII0381T	ADRII0381C	ADRII0381C24	3000	208	450	45
---	ADRII0383CT*	ADRII0383C*	ADRII0383C24*	3000	208	450	45
---	ADRII0321T	ADRII0321C	ADRII0321C24	3000	240	450	45
---	ADRII0371CT	ADRII0371C	ADRII0371C24	3000	277	450	45
---	ADRII0351CT	ADRII0351C	ADRII0351C24	3000	480	450	45
---	ADRII0353CT*	ADRII0353C*	ADRII0353C24*	3000	480	450	45
---	ADRII0481T	ADRII0481C	ADRII0481C24	4000	208	450	45
---	ADRII0483CT*	ADRII0483C*	ADRII0483C24*	4000	208	450	45
---	ADRII0421T	ADRII0421C	ADRII0421C24	4000	240	450	45
---	ADRII0471CT	ADRII0471C	ADRII0471C24	4000	277	450	45
---	ADRII0451CT	ADRII0451C	ADRII0451C24	4000	480	450	45
---	ADRII0453CT*	ADRII0453C*	ADRII0453C24*	4000	480	450	45
---	ADRII0581T	ADRII0581C	ADRII0581C24	5000	208	450	45
---	ADRII0583CT*	ADRII0583C*	ADRII0583C24*	5000	208	450	45
---	ADRII0521T	ADRII0521C	ADRII0521C24	5000	240	450	45
---	ADRII0571CT	ADRII0571C	ADRII0571C24	5000	277	450	45
---	ADRII0551CT	ADRII0551C	ADRII0551C24	5000	480	450	45
---	ADRII0553CT*	ADRII0553C*	ADRII0553C24*	5000	480	450	45
---	ADRII0781CT	ADRII0781C	ADRII0781C24	7500	208	700	45
---	ADRII0783CT*	ADRII0783C*	ADRII0783C24*	7500	208	700	45
---	ADRII0721CT	ADRII0721C	ADRII0721C24	7500	240	700	45
---	ADRII0771CT	ADRII0771C	ADRII0771C24	7500	277	700	45
---	ADRII0751CT	ADRII0751C	ADRII0751C24	7500	480	700	45
---	ADRII0753CT*	ADRII0753C*	ADRII0753C24*	7500	480	700	45
---	ADRII1081CT	ADRII1081C	ADRII1081C24	10000	208	700	45
---	ADRII1083CT*	ADRII1083C*	ADRII1083C24*	10000	208	700	45
---	ADRII1021CT	ADRII1021C	ADRII1021C24	10000	240	700	45
---	ADRII1071CT	ADRII1071C	ADRII1071C24	10000	277	700	45
---	ADRII1051CT	ADRII1051C	ADRII1051C24	10000	480	700	45
---	ADRII1053CT*	ADRII1053C*	ADRII1053C24*	10000	480	700	45

Add W for white or SW for soft white (see www.stelpro.com/en-US/orora for optional colors and contact your *STELPRO representative for more information)

Add OFS to control fan-only mode with a wall switch (not provided)

Add DIS for disconnect switch (not provided)

*Three-phase unit
 --- not available

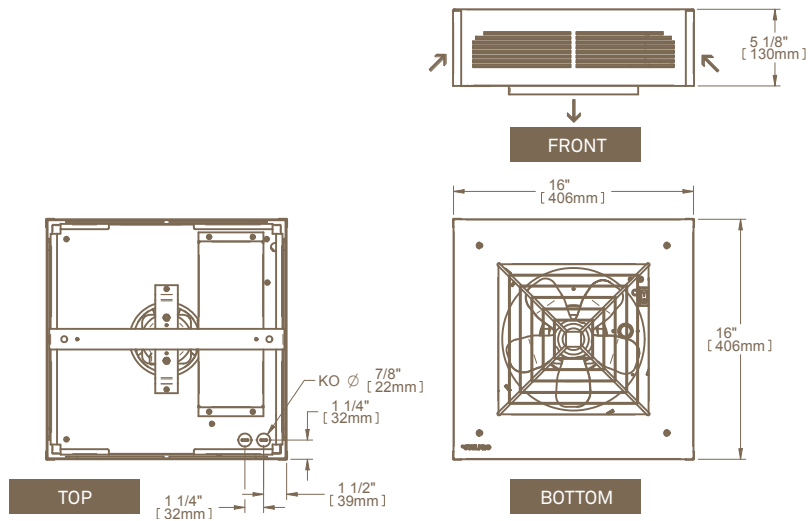
THROW DISTANCE AND HEAT RISE

MODEL	UNITS	THROW DISTANCE		HEAT RISE
	KW	FT.	°F	
ADRI	2	23	40	
ADRI	3	23	45	
ADRI	4	23	60	
ADRI	5	23	72	
ADRII	2	23	38	
ADRII	3	23	56	
ADRII	4	23	74	
ADRII	5	23	79	
ADRII	7.5	30	76	
ADRII	10	30	106	
ADRR	2	23	29	
ADRR	3	23	32	
ADRR	4	23	53	
ADRR	5	23	68	

TECHNICAL DRAWINGS

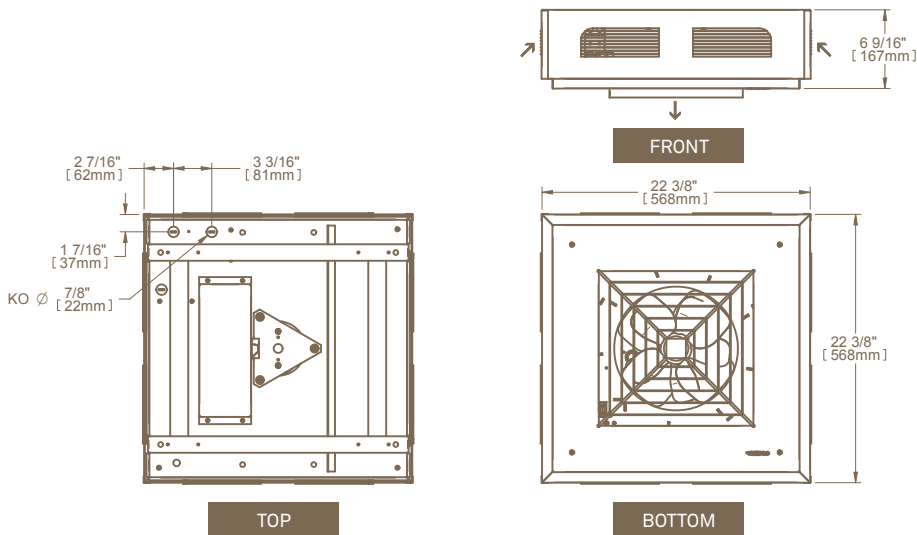
ADRI MODEL

surface mounted



ADRII MODEL

surface mounted



ADRR MODEL

recessed

