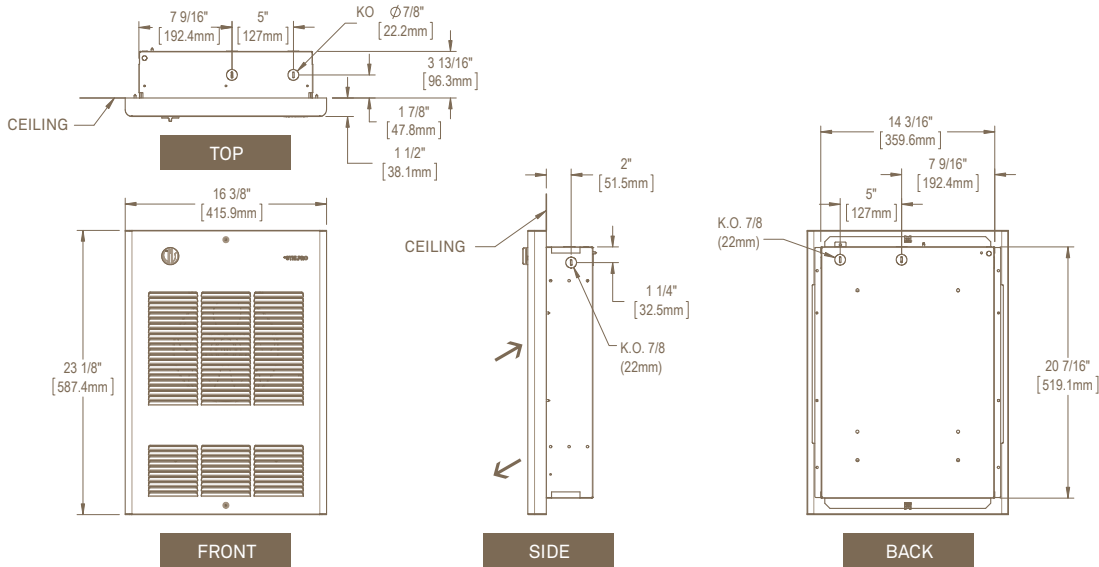


# TECHNICAL DRAWINGS

## SINGLE UNIT



## DOUBLE UNIT

