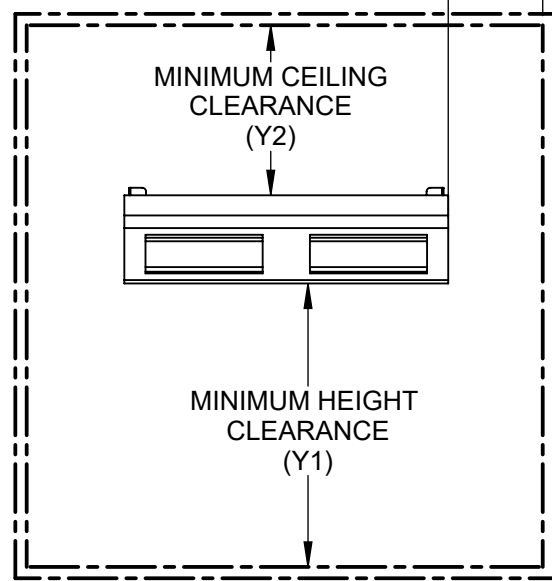
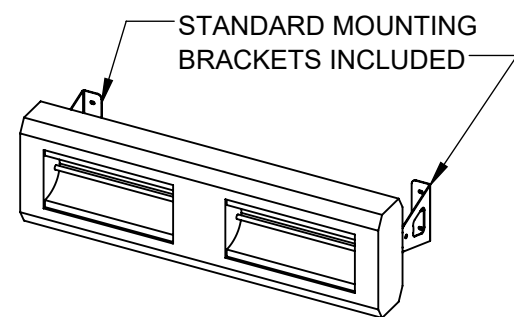


HEATER CLEARANCE REQUIREMENTS

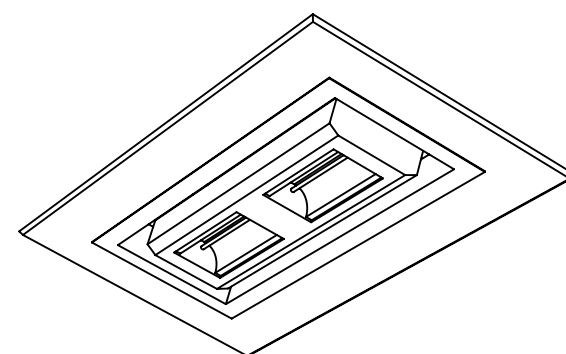
SEE 'HEATER SPECIFICATIONS' TABLE



MINIMUM SIDE WALL CLEARANCE (X)



ISOMETRIC VIEW

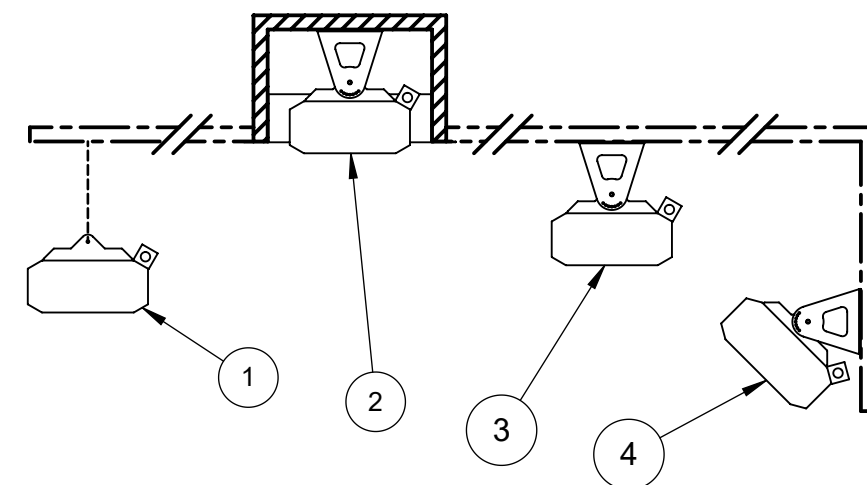


FLUSH/ RECESSED VIEW

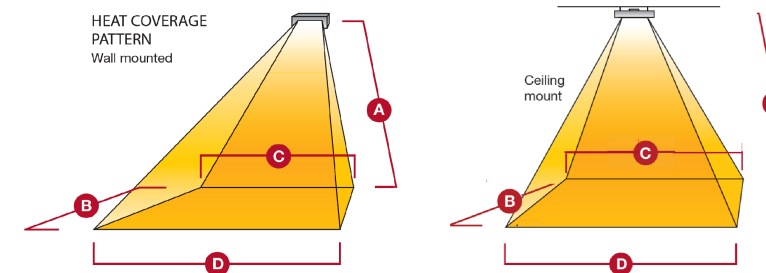
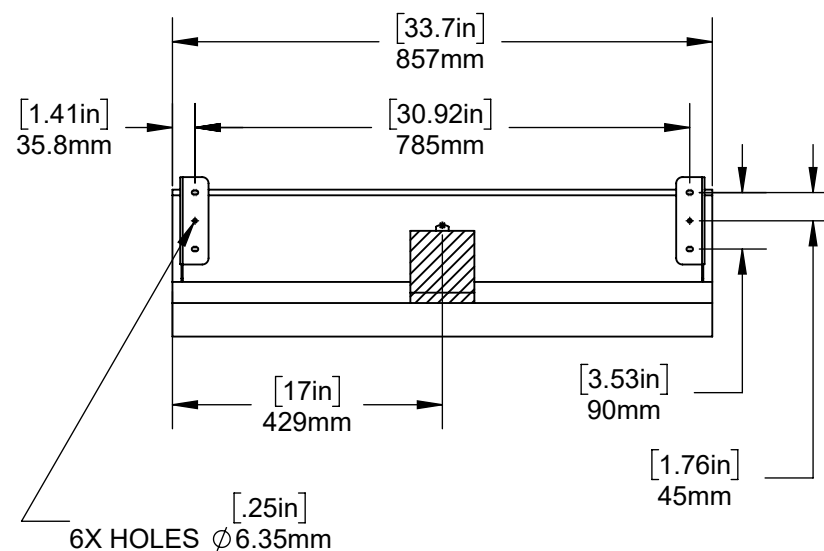
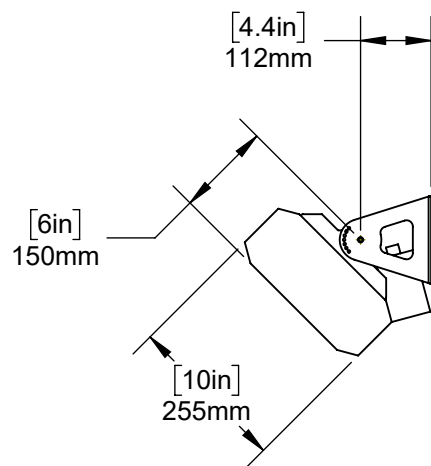
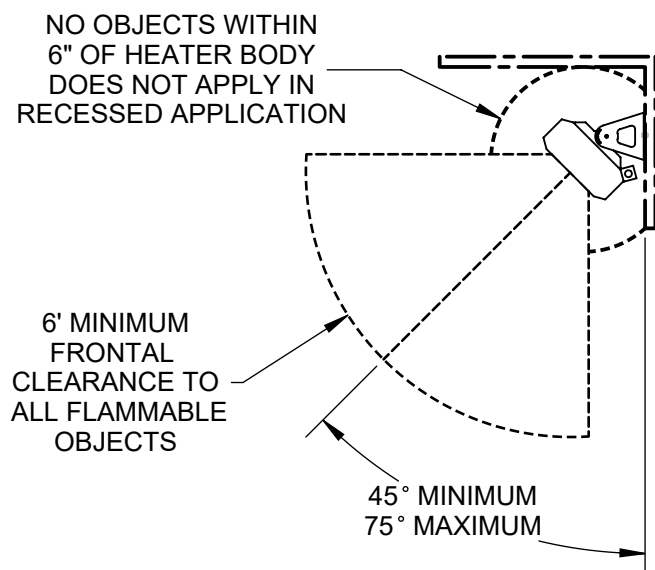
SEE TRIM KIT SPECIFICATIONS (P4/4)

SUITABLE MOUNTING CONFIGURATIONS

1. CEILING SUSPENDED
2. RECESSED (FLUSH MOUNT)
 - SOLAIRA TRIM KIT ACCESSORY (MANDATORY FOR RECESSED APPLICATION)
 - CONTRACTOR SUPPLIED ONE HOUR FIRE RATED ENCLOSURE
3. CEILING MOUNTED
4. WALL MOUNTED



OVERALL SIZE AND MOUNTING DIMENSIONS



MODEL	A (FEET)	B (FEET)	C (FEET)	D (FEET)	HEAT ZONE* (SQUARE FEET)	HEAT DENSITY* (WATTS/SQUARE FEET)
SICR30240	8.2	10	11	11	120	25
SICR30240-L1	8.2	10	11	11	120	25
SICR40240	8.2	10	11	11	120	33

HEAT DENSITY IS REDUCED BY 25% WHEN DE-RATED TO 208V

**HEATER SPECIFICATIONS

DESCRIPTION	ITEM/ SKU	WEIGHT (LBS/KG)	240V							208V						
			POWER (WATTS)	HEAT DELIVERED (BTU)	VOLTAGE (VOLTS)	CURRENT (AMPS)	MINIMUM HEIGHT (INCH/cm) (Y1)	CEILING CLEARANCE (INCH/cm) (Y2)	SIDE WALL CLEARANCE (INCH/cm) (X)	POWER (WATTS)	HEAT DELIVERED (BTU)	VOLTAGE (VOLTS)	CURRENT (AMPS)	MINIMUM HEIGHT (INCH/cm) (Y1)	CEILING CLEARANCE (INCH/cm) (Y2)	SIDE WALL CLEARANCE (INCH/cm) (X)
ICR H2 - 3000W / 240V	SICR30240*	13/8	3000	10200	240	12.5	98/250	6/15	40/100	2255	7667	208	10.8	98/250	6/15	40/100
ICR H2 - 4000W / 240V	SICR40240*	13/8	4000	13600	240	16.7	98/250	6/15	40/100	3000	10200	208	14.4	98/250	6/15	40/100
ICR H2 CANDEL - 3000W / 240V	SICR30240-L1*	13/8	3000	10200	240	12.5	98/250	6/15	40/100	2250	7650	208	10.8	98/250	6/15	40/100

SKU NOTES: *SEE PRODUCT CATALOGUE FOR STANDARD COLOR OPTIONS. L1 DENOTES CANDEL LOW LIGHT LAMP. ALL HEATERS COME WITH STANDARD 6" L BRACKETS | ** SPECIFICATIONS SUBJECT TO CHANGE WITHOUT NOTICE

A	2019-03-08
REVISION	DATE: YYYY-MM-DD



Certified to UL2021 and CSA 22.2

Solaira
The Architect and Engineers Choice

MODEL
SOLAIRA ICR H2

SHEET NO. 1 OF 1	SHEET SCALE 1:12	SHEET SIZE 11X17
---------------------	---------------------	---------------------

NOTICE: THIS DOCUMENT IS NOT A SUBSTITUTE FOR APPROVED MANUAL. Failure to follow instruction manual may cause fire, electric shock or injury to persons. Solaira™ is a registered trademark of Inforesight Consumer Products. Customer, contractor specifier and installer understands that some or all products provided by Inforesight Consumer Products Inc. may not be available for purchase or installation in certain jurisdictions or geographical areas. Inforesight Consumer Products Inc. reserves the right, in its sole discretion, to exclude or otherwise limit the provision of any product to a person or entity residing in any jurisdiction or geographical area outside of Canada. Inforesight Consumer Products Inc. provides general product installation guidelines and procedures and Customer, contractor, specifier and installer understands that Customer, contractor, specifier and installer is solely and exclusively responsible for installation of the product and ascertaining all applicable local municipal, provincial, state, and federal NEC (National Electrical Code) rules, by-law, ordinances and guidelines applicable to the installation of any Inforesight Consumer Products Inc. products. Customer contractor, specifier and installer must strictly adhere to and be compliant with the local rules, laws, ordinances and legal requirements for the safe installation and use of any Inforesight Consumer Products Inc. products. Instruction manuals are included with the product packaging and copies of our instruction manuals are available upon request. Under no circumstances shall Inforesight Consumer Products Inc. or its affiliated entities, employees, agents, shareholders, officers or directors be liable to Customer or any third party for any product installations and Customer, contractor, specifier and installer releases Inforesight Consumer Products Inc. from any and all losses, death, personal injury, property damage, other damages, rights, claims, demands and actions of any kind arising from the Customer's installation and use of the product, whether the installation was or was not in accord with the provided instruction manual and/or in compliance with applicable local laws. Solaira products are to be installed by licensed technicians per instruction manuals and to all provincial/state and national (N.E.C.) code requirements; specifications subject to change without notice.