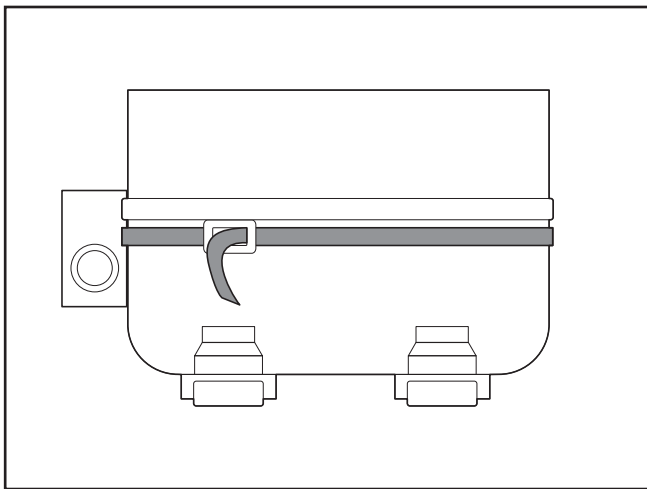




## RAYCHEM

# Freezgard

## Self-Regulating Crankcase Heater Installation Instructions



### APPROVALS



### DESCRIPTION

nVent RAYCHEM FreezGard crankcase heaters are intended for professional installation on refrigeration compressors up to 5 horsepower and 40 inches or less in circumference.

### MODELS AVAILABLE

- CCH-1C** For use with 120 Vac power supply
- CCH-2C** For use with 208 – 277 Vac power supply

### ADDITIONAL MATERIALS REQUIRED

UL Listed or CSA Certified junction box and appropriate connection accessories.

### GENERAL REQUIREMENTS

- FreezGard heaters are intended for use on refrigeration compressors. For any other applications, call nVent for assistance.
- FreezGard heaters may be used only on metal hermetic compressors up to 40 inches in circumference.
- Never use on any compressor that may exceed 150°F.
- Do not use an extension cord to power the crankcase heater.
- Electrical connections must be in accordance with the National Electrical Code and must be protected from rain and other water.
- Prior to installing the heater, clean the compressor surface and inspect for and remove any sharp surfaces that may damage the heater.
- FreezGard cables must be installed by professional HVAC or refrigeration technicians or equivalent.
- Ground-fault circuit breakers such as the Square D QO-EPD, QOB-EPD, or equivalent, with a 30-mA trip level, should be used. For technical assistance or availability, call nVent at (800) 545-6258.

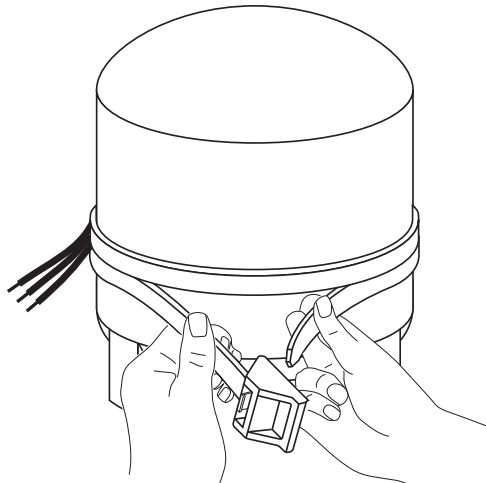
### WARNING:

**FIRE AND SHOCK HAZARD:** This heater is an electrical device that must be installed correctly to ensure proper operation and to prevent shock or fire. Read these important warnings and carefully follow all the installation instructions.

- To minimize the danger of fire from sustained electrical arcing if the crankcase heater is damaged or improperly installed, ground-fault equipment protection must be used on each branch circuit supplying power to the crankcase heater. Arcing may not be stopped by conventional circuit breakers.
- Do not damage the heating cable, strap, or electrical lead wires. Remove any damaged cables from service immediately.
- Leave these Installation Instructions with the user for future reference.
- If you have any questions about how to use or install this crankcase heater, please call nVent at (800) 545-6258.

1

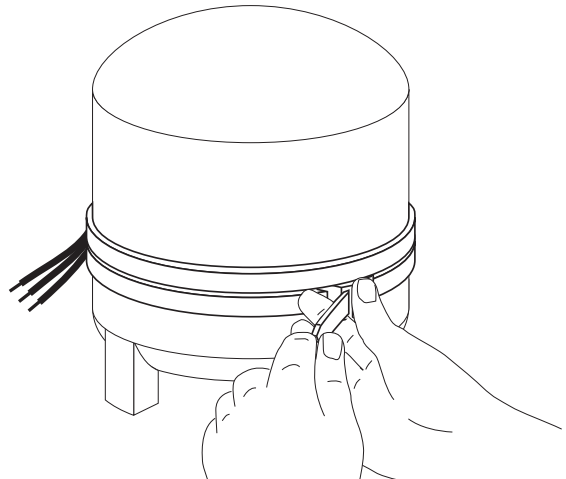
- Disconnect all electrical power to the unit. Slip heater around the compressor casing and position close to the bottom.



2

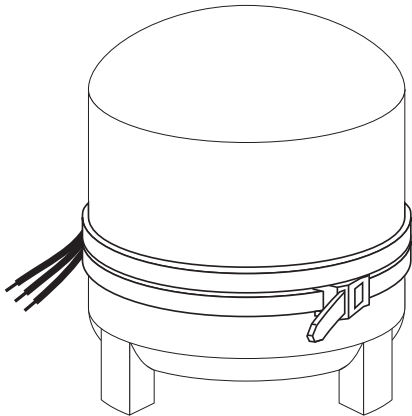
- Feed adjusting strap through ratchet end and hand tighten to secure heater to casing.

**⚠ Caution: Do not use excessive force or strap may break.**



3

- Connect black wires to power and neutral, and the green wire to ground.



#### North America

Tel +1.800.545.6258  
Fax +1.800.527.5703  
thermal.info@nvent.com

#### Europe, Middle East, Africa

Tel +32.16.213.511  
Fax +32.16.213.604  
thermal.info@nvent.com

#### Asia Pacific

Tel +86.21.2412.1688  
Fax +86.21.5426.3167  
cn.thermal.info@nVent.com

#### Latin America

Tel +1.713.868.4800  
Fax +1.713.868.2333  
thermal.info@nvent.com



nVent.com