

PINNACLE CLIMATE TECHNOLOGIES LIMITED WARRANTY

Pinnacle Climate Technologies, Inc. warrants this Ventilator to the original retail purchaser only, to be free from defects in material and workmanship for a period of one (1) year from the date of initial purchase. This product must be maintained and operated in accordance with the instructions provided.

Pinnacle Climate Technologies, Inc. requires reasonable proof of your date of purchase from an authorized retailer or distributor. Therefore, you should keep your sales slip, invoice or cancelled check from the original purchase. This Limited Warranty shall be limited to the repair or replacement of parts, prove defective under normal use and service within the warranty period, and which **Pinnacle Climate Technologies, Inc.** shall determine at its reasonable discretion.

This Limited Warranty does not cover any failures or operating difficulties due to normal wear and tear, accident, abuse, misuse, alteration, misapplication or improper maintenance and service by you or any third party. Failure to perform normal and routine maintenance on the Ventilator, shipping damage, damage related to insects, birds or animals of any kind, and damage due to weather conditions are also not covered. In addition, the Limited Warranty does not cover damage to the finish, such as scratches, dents, discoloration, rust or other weather damage, after purchase.

All transportation costs for the return of damaged product or parts will be the responsibility of the purchaser. Upon receipt of damaged item, **Pinnacle Climate Technologies, Inc.** will examine the item and determine if defective. **Pinnacle Climate Technologies, Inc.** will repair or replace and return the item, freight pre-paid. If **Pinnacle Climate Technologies, Inc.** finds the item to be in normal operating condition, or not defective the item will be returned freight collect. This Limited Warranty is in lieu of all other express warranties. **Pinnacle Climate Technologies, Inc.** disclaims all warranties for products that are purchased from sellers other than authorized dealers or distributors.

AFTER THE PERIOD OF ONE (1) YEAR AND THE WARRANTY EXPIRES, **Pinnacle Climate Technologies, Inc.** DISCLAIMS ANY AND ALL IMPLIED WARRANTIES, INCLUDING WITHOUT LIMITATION THE IMPLIED WARRANTIES OF MERCHANTABILITY AND FITNESS FOR A PARTICULAR APPLICATION. FURTHER, **Pinnacle Climate Technologies, Inc.** SHALL HAVE NO LIABILITY WHATSOEVER TO PURCHASER OR ANY THIRD PARTY FOR ANY SPECIAL, INDIRECT, PUNITIVE INCIDENTAL, OR CONSEQUENTIAL DAMAGES. **Pinnacle Climate Technologies, Inc.** assumes no responsibility for any defects caused by third parties. This Limited Warranty gives the purchaser specific legal rights; a purchaser may have other rights depending upon where he or she lives. Some states do not allow the exclusion or limitation of special, incidental or consequential damages, or limitations on how long a warranty lasts, so the above exclusion and limitations may not apply to you.

Pinnacle Climate Technologies, Inc. does not authorize any person or company to assume for it any other obligation or liability in connection with the sale, installation, use, removal, return or replacement of its equipment, and no such representations are binding on **Pinnacle Climate Technologies, Inc.**

Always be sure to specify the model number and serial number when making any claim with **Pinnacle Climate Technologies, Inc.**

MASTER[®]

OWNER'S MANUAL & SAFETY INSTRUCTIONS

Please read and keep these instructions with the Ventilator.



Confined Space Ventilator

For use in Non-Explosive/Non-Flammable environments only.

Purchase Date: _____ Serial No. _____

Dealer: _____

© 2016 Pinnacle Climate Technologies, Inc.

668 Stony Hill Road #302 Yardley, PA 19067 USA • Toll Free (800) 779-3267

Fax: (320) 251-2922 • www.pinnacleclimate.com

info@pinnacleclimate.com

M-1B0812 11/21/16

PCT | **Pinnacle**
Climate Technologies™

www.pinnacleclimate.com

INTRODUCTION

Congratulations on your selection of a new Master Confined Space Ventilator. Our goal is to provide you with the very best in high-performance air ventilators. Reading this Owner's Manual will help you achieve the maximum benefit from your confined space ventilator. If you do not understand any portion of this Manual, please contact Pinnacle Climate Technologies or your authorized dealer for proper assistance prior to operating this Ventilator.

Do not allow anyone to operate the Confined Space Ventilator (Ventilator) without first reading the Operator's Manual and becoming familiar with its operation. Pinnacle Climate Technologies has endeavored to provide you with the finest equipment available for providing air for portable ventilation purposes. The possibility does exist, however, that the Ventilator can be subjected to applications not intended by Pinnacle Climate Technologies. Misuse and/or misapplication of the Ventilator can lead to the possibility of serious damage, injury or even death.

The Ventilator can also be used as a blower, circulator, or simply as a fan. It's perfect for exhausting fumes, ventilating confined spaces, and spot cooling. Manufactured with high-density polyethylene, it's made for both durability and a long life. It can easily be stacked during use, transportation, and storage, and it features an off-center handle for easy lifting and handling.

The Ventilator is also directly compatible with a matching, high-quality duct for all your ventilation needs:

- PVC fabric with ultraviolet and self-extinguishing fire-resistant properties
- Superior wire-high tensile spring steel to resist bending, deforming, and crushing
- Flexibility to work in temperatures ranging from -20° to 185°F
- Strong resistance to mild acid, alkalines, alcohols, hydrocarbons (aliphatic), mineral and vegetable oils, oxidizing agents, and solvents with low parity
- Lightweight polyethylene carrier capable of holding up to 25 ft. of 8" or 12" ducts

Record the Confined Space Ventilator model and serial number in the space provided below.

Model No. _____

Serial No. _____

Date Purchased _____

All specifications are general in nature and are not intended for specific application purposes. Pinnacle Climate Technologies accepts no responsibility for variations may be evident in actual products, specifications, pictures and descriptions contained in this publication.

TROUBLESHOOTING

CAUTION: All service procedures should be executed with the unit unplugged. ALL SERVICE PROCEDURES MUST BE PERFORMED BY A QUALIFIED SERVICE TECHNICIAN

<u>Problem</u>	<u>Cause</u>	<u>Solution</u>
Unit will not run.	<ol style="list-style-type: none"> 1) No power to unit. 2) Switch not on. 3) Switch is faulty. 4) Faulty / Broken cord or motor wire. 	<ol style="list-style-type: none"> 1) Plug unit in. Check circuit breaker. 2) Place in "ON" position. 3) Replace switch. 4) Perform continuity check using volt/amp meter. Repair/replace faulty/broken wire.
Unit runs but fan makes loud scraping noise.	<ol style="list-style-type: none"> 1) Unit has been severely jolted causing fan to rub against housing. 2) Unit has been severely jolted causing housing to deform. 	<ol style="list-style-type: none"> 1) Replace entire blower unit. 2) Replace entire blower unit.
Unit runs but vibrates excessively.	<ol style="list-style-type: none"> 1) Severe jolt has caused unit to be out of balance. 2) Fan blade damaged. 3) Dirt build up on one side of fan blade. 	<ol style="list-style-type: none"> 1) Replace fan blade if necessary. 2) Replace fan blade. 3) Clean fan blade.
Unit runs but fan does not turn.	<ol style="list-style-type: none"> 1) Fan is jammed against housing. 2) Capacitor wire has broken/come loose, capacitor has failed. 3) Housing has been damaged such that it presses on the fan blade. 	<ol style="list-style-type: none"> 1) Replace fan blade if necessary. 2) Repair/replace wires/capacitor as necessary. 3) Replace entire blower unit.
Unit runs briefly, then shuts off on overload.	<ol style="list-style-type: none"> 1) Motor bearings are failing, or motor has developed an internal electric fault. 2) Intake grill and/or exhaust grill is obstructed. 3) Excessive duct length. 	<ol style="list-style-type: none"> 1) Replace entire blower unit 2) Remove obstruction. 3) Reduce duct length to recommended maximum.

For a list of readily available replacement parts, refer to the PARTS LIST section in this Manual.

NOTE: Blower and duct may also be purchased separately:

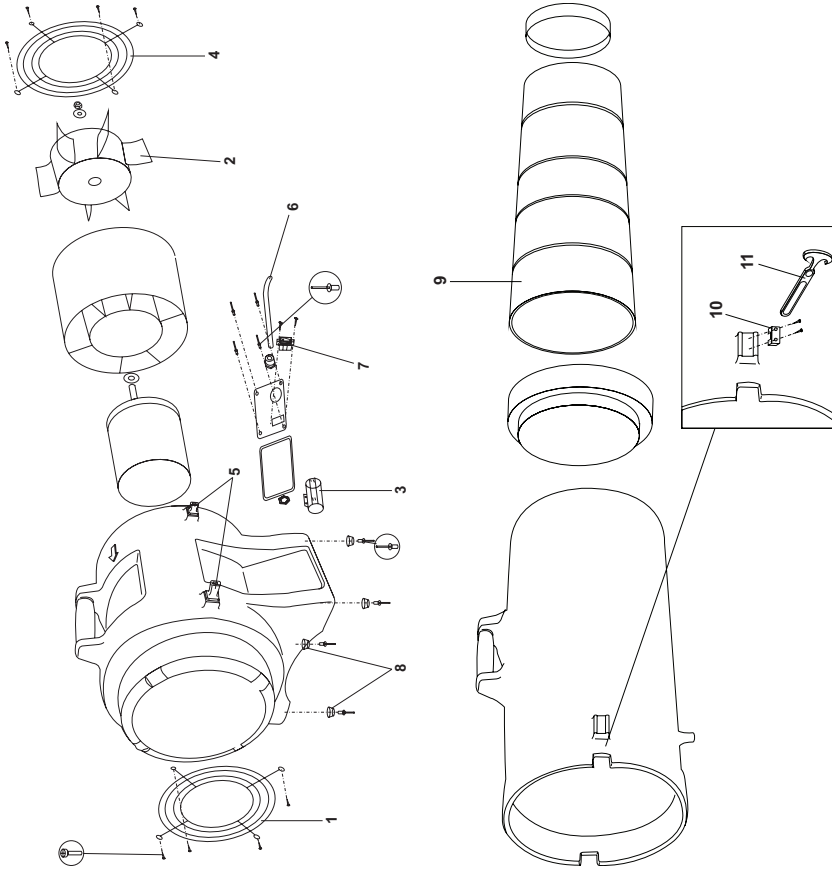


Models:
MB-P0813-DCR (8")
MB-P1210-DCR (12")



Models:
MB-DC0825 (8")
MB-DC1225 (12")

EXPLODED VIEW



SAFETY PRECAUTIONS

▲ DANGER THE VENTILATOR IS DESIGNED FOR PORTABLE AIR VENTILATION PURPOSES ONLY. THE VENTILATOR IS NOT DESIGNED FOR TRANSPORTING LIQUID OR SEMI-SOLID MATERIALS. **THE ELECTRIC MOTOR AND VENTILATOR HOUSING ARE NOT DESIGNED FOR OPERATION IN AN EXPLOSIVE OR FLAMMABLE ATMOSPHERE. OPERATION OF THE VENTILATOR IN AN EXPLOSIVE OR FLAMMABLE ATMOSPHERE MAY RESULT IN PROPERTY DAMAGE, PERSONAL INJURY OR EVEN DEATH.** INCORRECT USE OF THE VENTILATOR CAN RESULT IN AN ELECTRICAL SHOCK AND/OR ELECTROCUTION. ALWAYS OPERATE THE VENTILATOR IN COMPLIANCE WITH CURRENT NATIONAL ELECTRIC CODE REGULATIONS.

▲ DANGER INCORRECT USE OF THE VENTILATOR CAN RESULT IN PROPERTY DAMAGE, PERSONAL INJURY OR EVEN DEATH. TO REDUCE THIS RISK, GIVE COMPLETE AND UNDIVIDED ATTENTION TO THE JOB AT HAND. AN ENVIRONMENT ATMOSPHERE CONSTANTLY CHANGES. THEREFORE, IT'S RECOMMENDED THAT AIR MONITORING/GAS DETECTION EQUIPMENT BE USED FREQUENTLY. IF TESTS SHOW THAT THE ATMOSPHERE QUALIFIES AS A **HAZARDOUS LOCATION** (AN AREA WHERE THE POSSIBILITY OF EXPLOSION AND FIRE IS CREATED BY THE PRESENCE OF COMBUSTIBLE LIQUIDS, FLAMMABLE GASES, VAPORS, DUST, FIBERS, FLAMES OR FILINGS.) **DO NOT USE THIS VENTILATOR.** READ AND UNDERSTAND THE FOLLOWING PREPARATION ITEMS AND GENERAL SAFETY INFORMATION.

PREPARATION

- 1) Become familiar with the Ventilator operations before utilizing this Ventilator. Read and understand all Cautions and Warnings in this Manual.
- 2) Confirm that the Ventilator is in its original factory configuration and that it has not been modified in any manner.
- 3) Minors should not be allowed to operate the fan. Close attention is necessary when used, especially when used near children or animals.
- 4) Guard against the possibility of back-related injuries. Always lift the Ventilator with leg muscles and not with the back.
- 5) Before each use, inspect the Ventilator for damaged, worn, loose, and/or broken parts. Be sure that the Ventilator and accessories are in good working condition before operating.
- 6) Know how to stop the Ventilator quickly in an emergency. Turn unit off at (on/off) switch located on side of unit or unplug Ventilator from power supply.

PARTS LIST

Item #	Description	Part Number	
		MB-P0813-DC25 (8")	MB-P1210-DC25 (12")
1	Front Guard	GUARD-MB8F	GUARD-MB12F
2	Blade	BLADE-MB8	BLADE-MB12
3	Capacitor	0CAP12UF450V	0CAP60UF250V
4	Back Guard	GUARD-MB8B	GUARD-MB12B
5	Hook	0DHP-MB	0DHP-MB
6	Power Cord	CORD-18/3-10NA	CORD-14/3-18NA
7	Rocker Switch	0RSSPST16A	0RSSPST16A
8	Rubber Foot	0RF1516	0RF1516
9	Duct Only	MB-DP0825	MB-DP1225
10	Fixed Seat	0FSP-MBD	0FSP-MBD
11	Fixed Handle	0FHR-MBD	0FHR-MBD

GENERAL SAFETY INFORMATION

▲ WARNING

- 1) Never place the Ventilator in standing water because of extreme shock hazard.
- 2) Never allow air intake grill to become blocked.
- 3) Never discharge flammable solvents or kerosene based chemicals through the Ventilator air intake grill.
- 4) Do not use the Ventilator in areas where flammable or combustible liquids, gases, vapors, dust, fibers, or filings may be present.
- 5) Never put any object in the air intake grill.
- 6) Never run the Ventilator outside when it is raining. Never store the Ventilator outdoors.
- 7) Do not use the Ventilator as a toy.

▲ WARNING

To reduce the risk of fire or electric shock, do not use this ventilator with any solid state speed control device.


GENERAL SAFETY INFO. (Continued)

- Use the Ventilator only with a properly grounded outlet.
- Unplug the Ventilator from outlet when not in use and before servicing.
- Do not use the Ventilator with a damaged cord or plug. Do not pull or carry the Ventilator by its cord, do not use the cord as a handle, do not close a door on the cord, and do not pull cord around sharp edges or corners. Keep cord away from heated surfaces. Do not unplug the Ventilator by pulling on cord, grasp the plug and not the cord. Do not handle the plug or cord with wet hands.
- Keep hair, loose clothing, fingers and all parts of the body away from the air intake grill.
- Do not allow water inside the motor. If the motor becomes wet for any reason, unplug the Ventilator and thoroughly dry it before using again.
- Never remove the ground from the power cord or plug as this may result in electrical shock or electrocution. Removing the ground will void the warranty.
- If the Ventilator has been dropped, left outdoors, or dropped into water, etc., thoroughly inspect it prior to use. If the Ventilator is not working or if you have a question about its safe operation, do not operate it. Contact Pinnacle Climate Technologies directly at (320) 251-8696 or online at www.pinnacleclimate.com for any questions or concerns.
- If the supply cord is damaged, it must be replaced by the manufacturer, its service agency or similarly qualified persons in order to avoid a hazard.

⚠ DANGER

THE ELECTRIC MOTOR AND VENTILATOR HOUSING ARE NOT DESIGNED FOR OPERATION IN AN EXPLOSIVE AND/OR FLAMMABLE ATMOSPHERE OF ANY CLASS OR GROUP. OPERATION OF THE VENTILATOR IN AN EXPLOSIVE OR FLAMMABLE ATMOSPHERE MAY RESULT IN PERSONAL INJURY OR DEATH.

OPERATION

- Your new Ventilator comes to you completely assembled and ready to operate--only the duct must be attached. Upon removing the Ventilator and duct from the carton, inspect them for any possible damage in transit.
- Before operating the Ventilator, please read all the safety Precautions and General Safety Information about the proper and safe use of the Ventilator.
- Assess your job site; certain job site locations are classified as being hazardous because the atmosphere may contain gas vapor or dust in explosive quantities.
- Locate a properly grounded outlet.
- Prior to plugging in the Ventilator into a grounded outlet, inspect the inlet and outlet grills; remove debris that may restrict airflow movement. Never operate the Ventilator without the inlet and outlet grills properly secured and in place. Never replace the grills with other than factory supplied replacement units.
- Note the directional airflow indicator on the external shell. This is the way the air moves. 
- Place the Ventilator on secure footing to prevent it from shifting while in use.
- Do not stand directly in front of and/or face the Ventilator outlet. Personal injury can result from being struck by debris thrown at a relatively high velocity from the Ventilator blade.
- When ducting is required, do not install duct while Ventilator is in operation. Place duct lip over the Ventilator duct adapter, secure firmly, and note direction of the airflow.
- When duct is used, be aware that the airflow rate decreases as the length of duct increases. Airflow rates will vary with specific duct types and manufacturers.
- Position Ventilator air inlet away from walls and other obstructions to allow for maximum air intake.
- For safe operation, use the Ventilator only in combination with thorough gas detection tests and continual retesting.

⚠ DANGER

ALWAYS ASSUME A CONFINED SPACE WORK AREA IS CONTAMINATED UNTIL IT HAS BEEN PROVEN SAFE FOR WORK PERSONNEL. NEVER ENTER A CONFINED SPACE WORK AREA UNTIL IT HAS BEEN THOROUGHLY TESTED WITH APPROPRIATE GAS DETECTION EQUIPMENT AND PROVEN SAFE FOR WORK PERSONNEL.

MAINTENANCE

⚠ DANGER ALWAYS SHUT OFF THE VENTILATOR AND UNPLUG IT FROM ITS POWER SOURCE TO PREVENT ACCIDENTAL STARTING AND THE POSSIBILITY OF ELECTRICAL SHOCK AND/OR ELECTROCUTION. BE SURE THE VENTILATOR BLADE HAS STOPPED ROTATING BEFORE PLACING ANY OBJECTS OR FINGERS NEAR THE VENTILATOR GRILL.

- Visually check all fasteners and individual components for loose or broken parts. Tighten or replace items as required, with genuine, factory approved replacement parts only.
- Keep the Ventilator blade clean from debris. Accumulation of dust, dirt, paint, etc. on the Ventilator blade will throw the blade rotation out of balance resulting in damage. To clean the Ventilator blade, be sure the plug is disconnected and the blade has stopped rotating. Remove one grill and wipe blade and interior shell housing clean of debris with a damp cloth and mild liquid soap. Dry all parts thoroughly. **DO NOT PRESSURE WASH THE VENTILATOR.** Replace grill prior to next operation.

⚠ DANGER

DO NOT OPERATE THE VENTILATOR WITHOUT THE INLET AND OUTLET GRILL PROPERLY IN PLACE.

- Contact Pinnacle Climate Technologies directly for Ventilator maintenance or repair not described in this manual (or if you are unsure whether maintenance is required) at (320) 251-8696 or at www.pinnacleclimate.com.

For a list of readily available replacement parts, refer to the PARTS LIST section in this Manual.

SERVICE

Refer to the TROUBLESHOOTING guide in this Manual.

Specifications		
Model	MB-P0813-DC25 (8")	MB-P1210-DC25 (12")
Power (Volt/Hz/Amp)	115V / 60Hz / 2.2	115V / 60Hz / 7.5
Motor Phase	Single	Single
Horsepower (hp)	1/3	1
Speed (RPM)	3400	3450
Airflow (CFM)*	930	1970
Max. Duct Length (ft.)	25	50
Fan Diameter (in.)	8	12
Power Cord (ft.)	14	14
Dimensions (L x W x H) (in.)	13 x 12.5 x 14.5	17 x 16.75 x 19
Weight (lbs.)	15.25	21.10

*Tested to AMCA 230-12 thrust test standards

THE AIR FLOW RATE DECREASES AS THE LENGTH OF DUCT INCREASES FOR BOTH BLOWING AND SUCTION APPLICATIONS. AIR FLOW RATES WILL VARY WITH SPECIFIC DUCT TYPES AND MANUFACTURERS.

⚠ CAUTION