

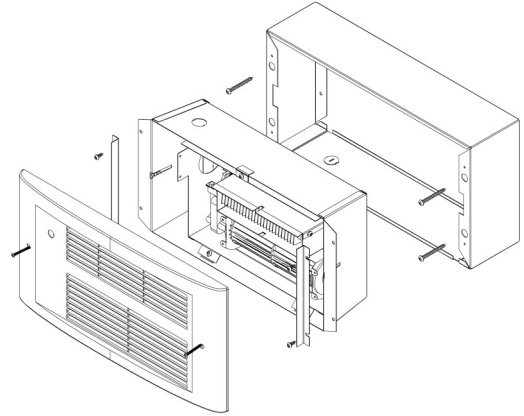
INSTALLATION AND MAINTENANCE



Smart Heating Solutions

PX Comfort Craft / PX ECO2S Surface Mount Frame

ComfortCraft 



WARNING



Read Carefully - These instructions are written in an effort to prevent potential difficulties that might arise during installation. Studying the instructions first may save you considerable time and money later. Observing the following procedures will keep installation time to a minimum.

IMPORTANT INSTRUCTIONS

When using electrical heating appliances, basic precautions should always be followed to reduce the risk of fire, electric shock and injury to persons, including the following:

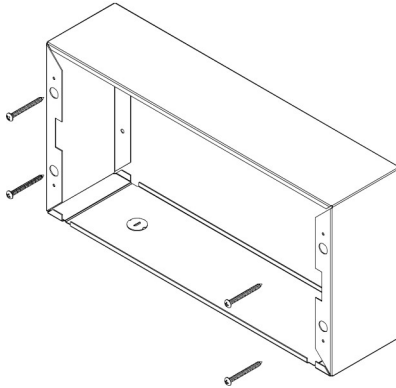
1. **Read all instructions before wiring or using this heater.**
2. **WARNING:** This heater is hot when in use. To avoid burns, do not let bare skin touch hot surfaces. Keep combustible materials, such as furniture, pillows, bedding, papers, clothes, boxes, etc., and curtains at least 3ft (.9 m) from the front of the heater and keep them away from the sides and rear.
3. **CAUTION:** Extreme caution is necessary when any heater is used by or near children or invalids and whenever the heater is left operating and unattended.
4. Do not operate any heater after it malfunctions. Disconnect power at service panel and have heater inspected by qualified electrician for repair before reusing.
5. Do not use outdoors.
6. **WARNING:** To disconnect heater, turn controls to OFF, and turn OFF power to heater circuit at main disconnect panel.
7. **WARNING:** Do not insert or allow foreign objects to enter any ventilation or exhaust opening as this may cause an electric shock, fire, or damage to the heater.
8. To prevent a possible of fire, do not block air intakes or exhaust in any manner.
9. A heater may have hot and arching or sparking parts inside. Do not use it in areas where gasoline, paint, or flammable vapors or liquids are used or stored.
10. **WARNING:** Use this heater only as described in this manual. Any other use is not recommended by the manufacturer and may cause fire, electric shock, explosion or injury to people and or property.
11. All electrical work and materials must comply with the National Electric Code (NEC), the Occupational Safety and Health Act (OSHA), and all state and local codes.
12. Use copper conductors only.
13. Verify that the electrical supply wires are the same voltage as the heater.
14. Heater must be installed in a wall can.
15. Use orient ring to properly align wall can and make sure it is flush with sheetrock.
16. **DO NOT** select a location where it is likely to be blocked by furniture, curtains, etc.
17. Be sure the location selected allows sufficient space for the heater as shown by Table 1.
18. Connect grounding lead to grounding screw provided. Keep all foreign objects out of heater.
19. **DANGER.** High temperatures may be generated under certain abnormal conditions. Do not partially or fully cover or obstruct the front of this heater.



PX SURFACE FRAME INSTALLATION

Step 1: SECURE SURFACE FRAME ONTO WALL SURFACE

Secure to Surface Frame to the wall with appropriate fasteners (not provided). It is recommended to secure to either a wall stud directly or to use appropriate anchors if wall is made of cement or other material.



Step 2: FEED POWER INTO SURFACE FRAME AND INTO HEATER INTERIOR

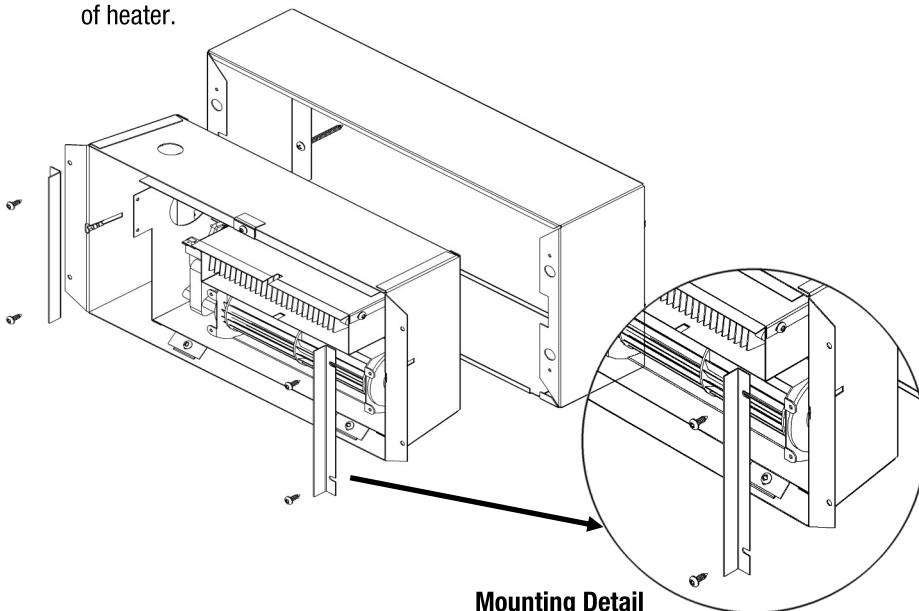
1. Feed power into the Surface Frame. A 1/2" knockout for conduit size (7/8") is provided in the bottom of the Surface Frame. Power can either be ran through this knockout or through the opening in the back wall. Provide proper strain relief connectors (not included) are required.
2. Feed power into Heater Interior. 1/2" knockouts for conduit size (7/8") are provided in the back and bottom of the Heater Interior. Provide proper strain relief connectors (not included) for wire entering wall box.
3. Make final wattage selections. See your heater's installation manual for complete details.
4. Connect supply wires, per your heaters' installation manual. Attach ground feed wire to the green ground wire with wire nut.

Minimum Clearances for heater: Table 1

Front	TOP	BOTTOM	SIDES
36 in	12 in	4 in	6 in
0.9 m	30.5 cm	10.2 cm	15.2 cm

Step 3: INSTALL HEATER INTERIOR & GRILL SUPPORTS ONTO SURFACE FRAME

1. Using the 4 screws provides, install Heater Interior onto wall box. Do not fully tighten.
2. Slip Grill Support Bars under the screw heads and tighten fully. Screw slots face towards outside edge of heater.



Step 4: INSTALL GRILL

Install heater grill onto the heater assembly with 2 grill screws (provided).

