

INSTALLATION INSTRUCTIONS

MODEL: DAW1215
120V 1500W

DIAL-A-WATT
Steel Sheath Element

MODEL: DAW2422
240V 2250W

ATTENTION: Before attempting to install your heater verify the power supply wires are the same voltage as the heater you are installing. **240 and 120 Volt heaters are not interchangeable.** Connecting a 240 Volt heater to a 120 Volt circuit will reduce the wattage 75% and cause the motor to rotate slowly, significantly reducing air flow. Connecting a 120 Volt heater to a 240 Volt circuit will destroy the heater, could cause fire damage and voids all warranties. This heater should be installed in compliance with all local and national electrical codes.

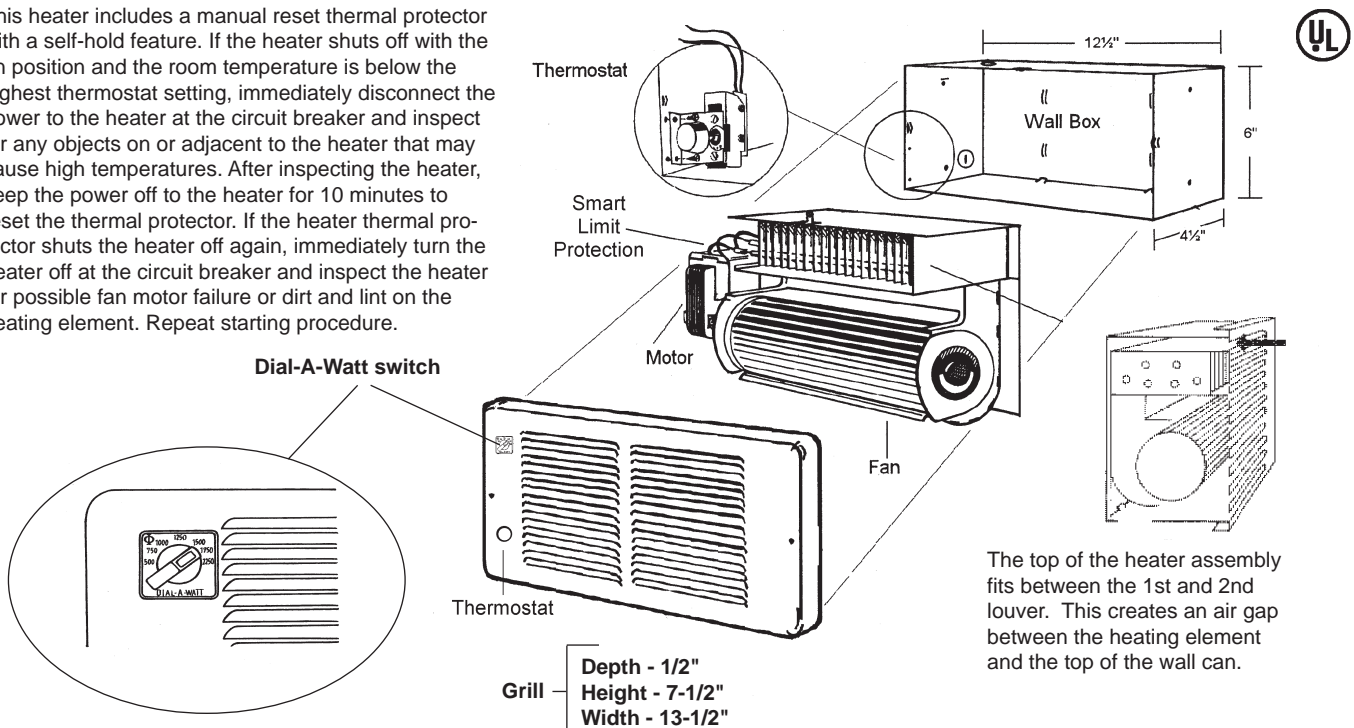
WARNING: Turn off power source to the heater before attempting installation, maintenance, or repairs. Lock, tape or tag circuit breaker or fuse so that power cannot be turned on by accident. Failure to do so could result in personal injury or death.



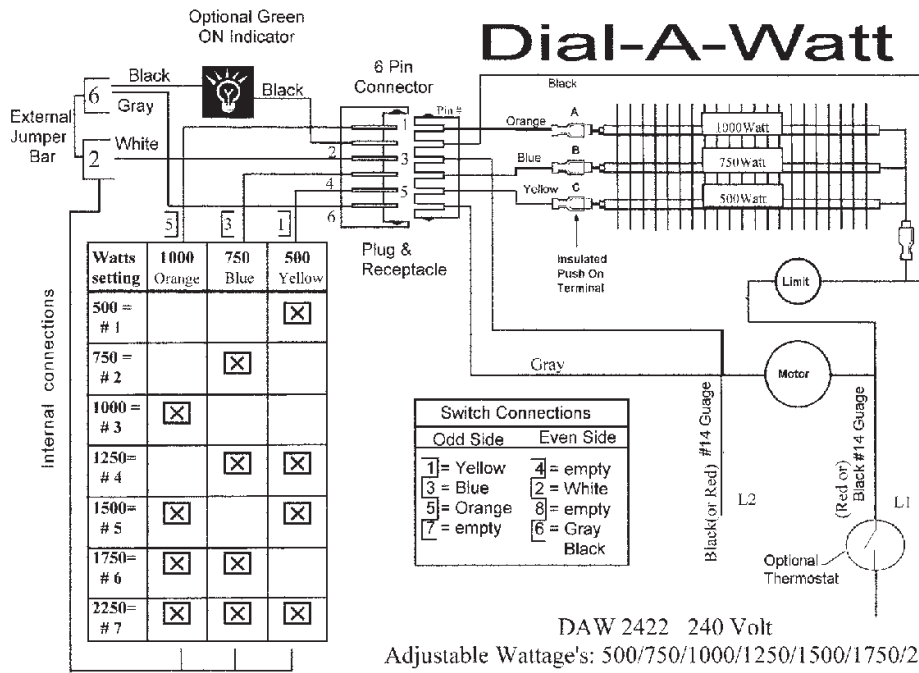
Note: Heaters cannot be installed vertically.

1. Remove heater from carton. Check to make sure the heater has not been damaged in shipment.
2. Remove the grill by loosening and removing the two screws on the front grill.
3. Remove fan heater assembly by loosening the mounting screw - the assembly will now drop out.
4. Remove one 7/8" knockout and thread the supply wire into the wallbox. Use an approved strain relief bushing to prevent chafing of the supply wires through the opening in the wallbox.
5. Mount heater wall can using flanges on side of can. Install the fan heater assembly at the top of the wallbox with the mounting screw. Connect the supply and groundwires per the diagram on next page and plug harness to Dial-A-Watt switch.
6. Install grill and secure with the two screws provided. The top first louver in the grill must be open into and between wall can and top of heater for proper circulation of air.
7. The installation is now complete and the heater may be energized.
8. Test each wattage setting from 250 to 1500 in 120 Volt or 500 to 2250 Watts in 240 Volt.

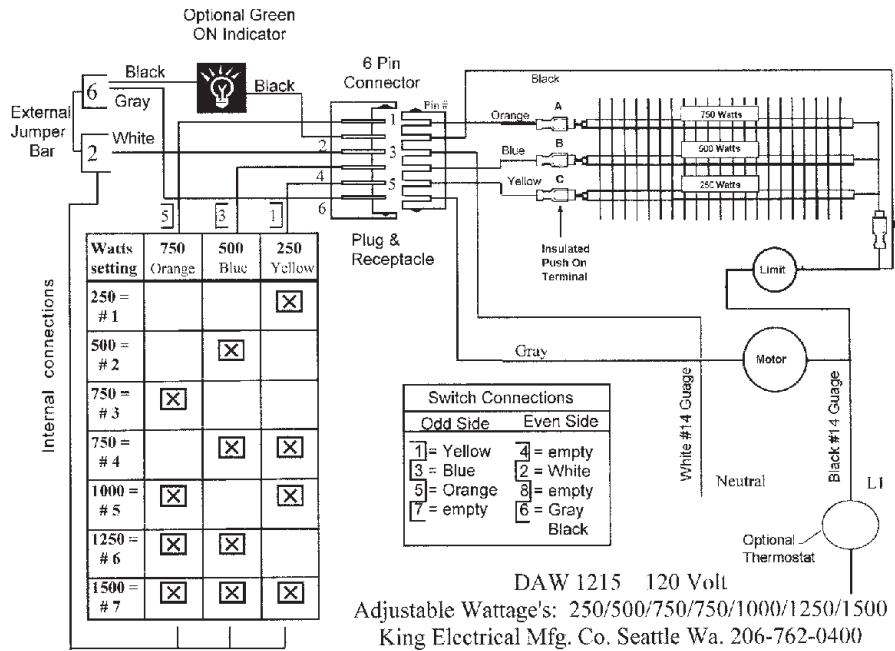
This heater includes a manual reset thermal protector with a self-hold feature. If the heater shuts off with the on position and the room temperature is below the highest thermostat setting, immediately disconnect the power to the heater at the circuit breaker and inspect for any objects on or adjacent to the heater that may cause high temperatures. After inspecting the heater, keep the power off to the heater for 10 minutes to reset the thermal protector. If the heater thermal protector shuts the heater off again, immediately turn the heater off at the circuit breaker and inspect the heater for possible fan motor failure or dirt and lint on the heating element. Repeat starting procedure.



Dial-A-Watt



DAW 2422 240 Volt
Adjustable Wattage's: 500/750/1000/1250/1500/1750/2250
King Electrical Mfg. Co. Seattle Wa. 206-762-0400



DAW 1215 120 Volt
Adjustable Wattage's: 250/500/750/750/1000/1250/1500
King Electrical Mfg. Co. Seattle Wa. 206-762-0400

Maintenance Information: The high quality and superior design of this heater will provide years of trouble-free performance. Each year the heater should be checked and cleaned for lint and dust accumulation. King recommends using a soft bristle brush to knock off contaminants, then vacuum out. The motor does not require oiling.

Warranty: King Electrical Mfg. Co. will repair or replace without charge to the original owner any Dial-A-Watt heater found to be defective or malfunctioning for five years from the date of purchase. If the product becomes defective within the warranty period contact King for instructions on how to repair or replace heater. Products returned without authorization will be refused.

