

# NPR

## New Product Release



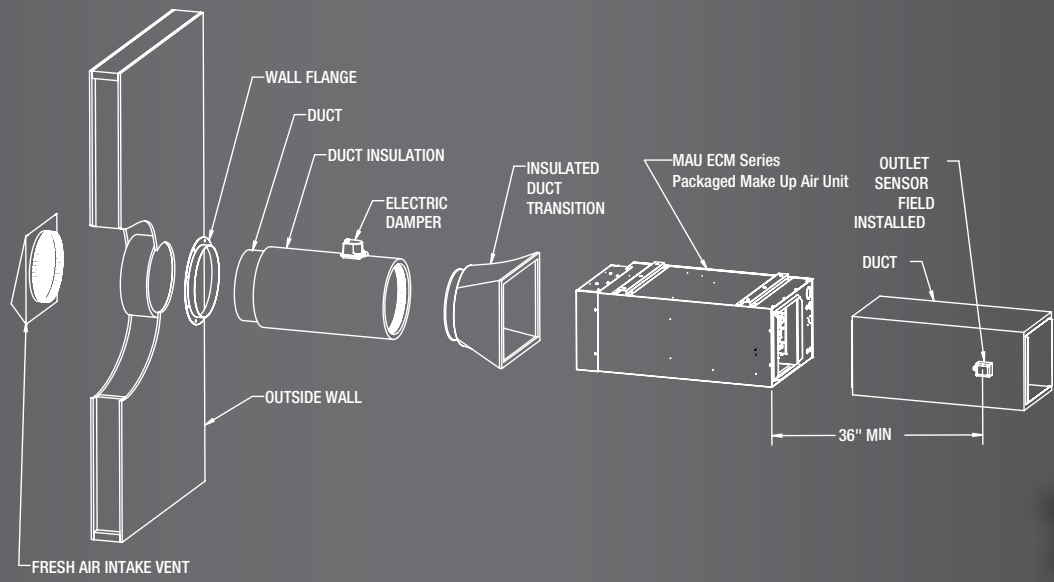
Shown with MAUFH Filter Housing (Sold Separately)



## MAU ECM Fresh Air Ventilation System

700-1770 CFM @ 0.2"  
3.8kW to 34.5kW Models,  
1-3 Phase For Maximum  
Fresh Air In Residential,  
Commercial & Industrial  
Spaces.

All-in-one packaged unit featuring fully modulating electric heat with a fresh air control circuit. Fresh Air For Buildings. When You Need It.



# MAU ECM

## Fresh Air Ventilation System

Packaged, All-In-One Make Up Air Solution

700-1770 CFM @ 0.2"

Proportional Thermostat For Fully Modulating Electric Heat

Wide Range of Air of CFM, Temperature Rise & Static Pressure Configurations

Energy Efficient ECM Motor with (5) Torque Taps

Available in 208/240V/480V - Single & Three Phase

Included Duct Sensor for Precise Set Points

Automatic Damper Control

Current Transformer Technology for Full Interlock with Exhaust Systems

Relay Logic Control Circuit Enabling Control of Other Make-Up Air Components (Damper, Exhaust Fans, Outside Thermostat & Humidistat, Etc).

Horizontal or Vertical Installation

Compact Footprint

Replaceable Air Filter (1" or 2" Thick)

Proudly Made in USA

### WARRANTY

3-Year Limited Warranty

# NPR

## New Product Release



Smart Heating Solutions

## All-In-One Packaged Unit Featuring Fully Modulating Electric Heat with a Fresh Air Control Circuit.

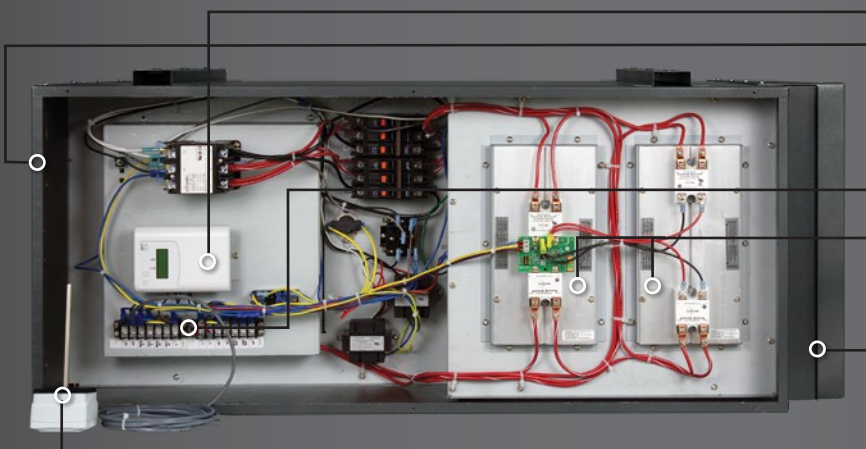
## Fresh Air For Buildings. When You Need It.

Preheats Fresh Air For Comfort

Improves Indoor Air Quality



## Advanced Features for Ease of Use & Durability



Proportional Thermostat For Fully Modulating Electric Heat

Wide Range of Air of CFM, Temperature Rise & Static Pressure Configurations

Included Duct Sensor For Precise Set Points

Automatic Damper Control

Relay Logic Control Circuit Enabling Control of Other Make Up Air Components (Damper, Exhaust Fans, Outside Thermostat & Humidistat, Etc).

Replaceable Air Filter (1" or 2" thick)

