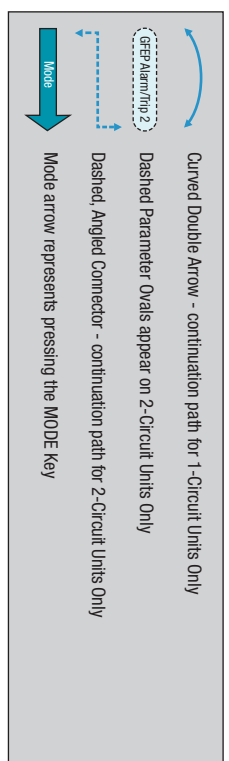
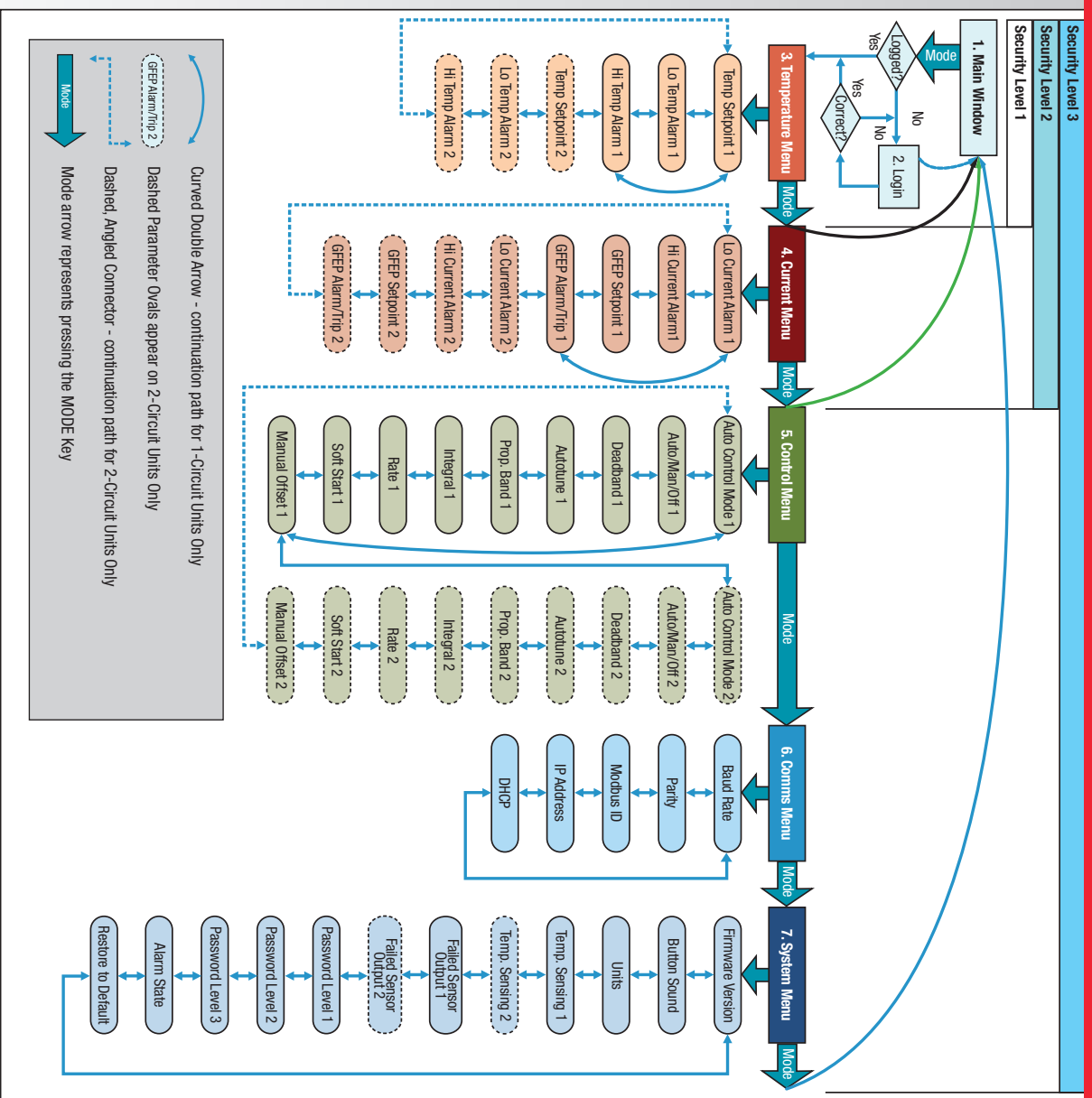


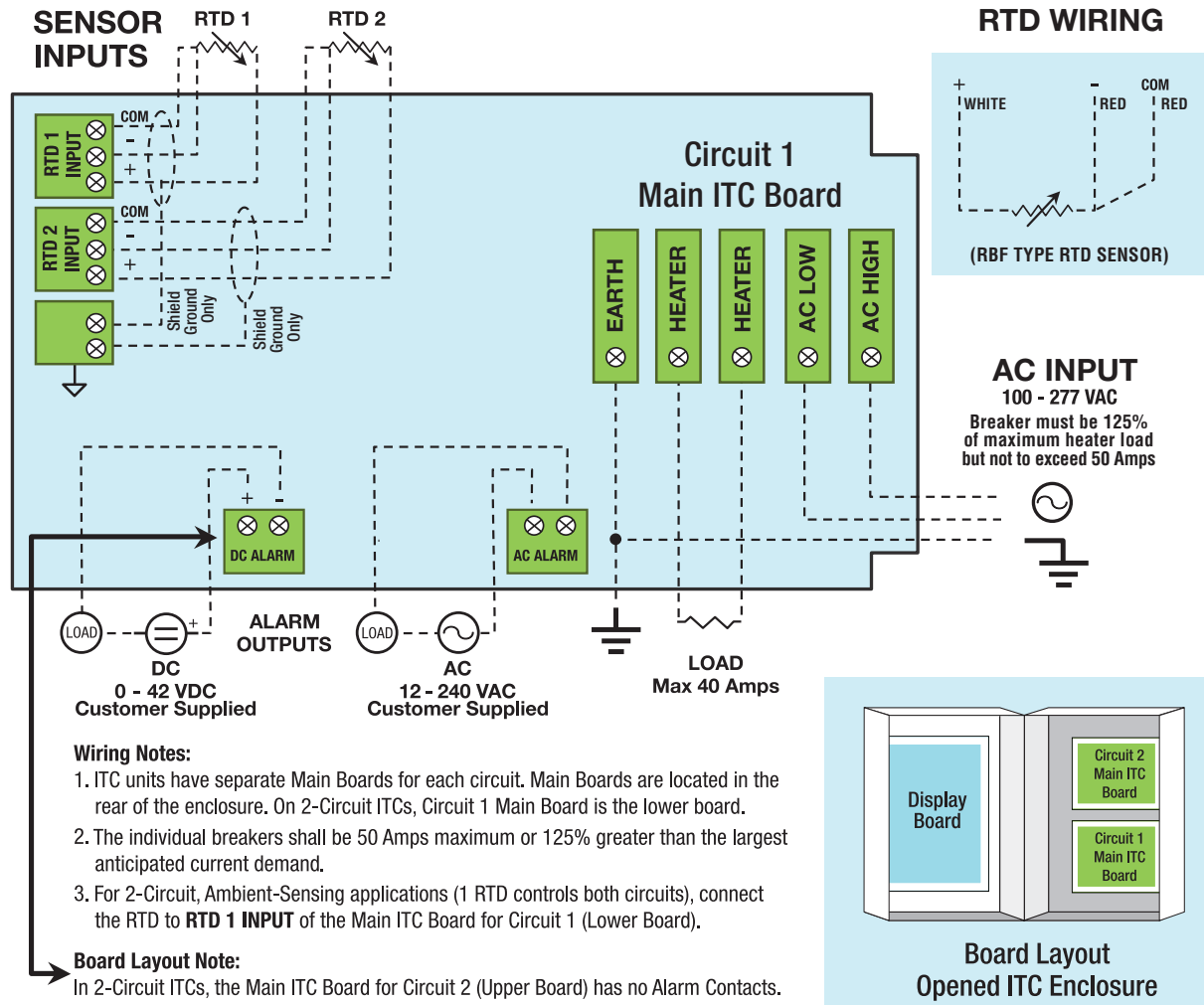
ITC1 & ITC2 QUICK START GUIDE



Screen Menu & Parameter	User Settings	Screen Menu & Parameter	User Settings
3. Temperature Menu			
Temp Setpoint 1			
Lo Temp Alarm 1			
Hi Temp Alarm 1			
Temp Setpoint 2			
Lo Temp Alarm 2			
Hi Temp Alarm 2			
4. Current Menu			
Lo Current Alarm 1			
Hi Current Alarm 1			
GFP Setpoint 1			
GFP Alarm/Trip 1			
Lo Current Alarm 2			
Hi Current Alarm 2			
GFP Setpoint 2			
GFP Alarm/Trip 2			
5. Control Menu			
Auto Control Mode 1			
Auto/Manual/Off 1			
Deadband 1			
Autotune 1			
Proportional Band 1			
Integral 1			
Rate 1			
Soft Start 1			
Manual Offset 1			
Auto Control Mode 2			
Auto/Manual/Off 2			
Deadband 2			
Autotune 2			
Proportional Band 2			
Integral 2			
Rate 2			
Soft Start 2			
Manual Offset 2			
6. Comms Menu			
Baud Rate			
Parity			
Modbus ID			
IP Address			
7. System Menu			
Firmware Version			
Button Sound			
Units			
Temperature Sensing 1			
Temperature Sensing 2			
Failed Sensor Output 1			
Failed Sensor Output 2			
Password Level 1			
Password Level 2			
Password Level 3			
Alarm State			
Restore to Default			

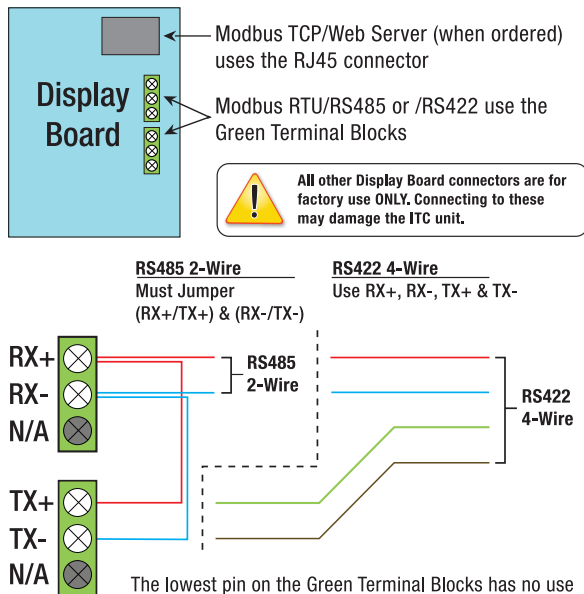
This Quick Start Guide is intended to be used by qualified technicians who understand the dangers of electricity and the operation of this product. It provides the installer or user with minimal information for installation, startup, or programming adjustments. Please refer to the ITC Installation & Operational Manual (PK509) for the complete definitions, instructions, specifications, warnings, and safety concerns.

Circuit Board Wiring Diagram



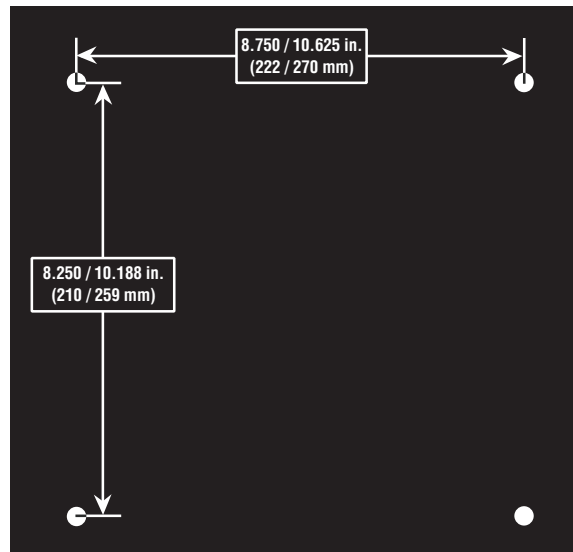
Communications Wiring

All communications wiring is facilitated via the **Display Board**.



Wall Mount Layout Template

(Reference Only) **MAXIMUM #10 STUD**



Dimensions Vary by Enclosure Type: Fiberglass / 316 SS.