

IMPORTANT INSTRUCTIONS

When using electrical appliances, basic precautions should always be followed to reduce the risk of fire, electric shock and injury to person, including the following:

1. Read all instructions before using this heater.
2. Heater and controls should be installed by a qualified contractor. Wiring procedures and connections should be in accordance with the National Electric Code (CEC & NEC) and local codes.
3. A heater has hot and arcing or sparking parts inside. Do not use it in areas where gasoline, paint or flammable liquids are used or stored.
4. This heater is hot when in use. To avoid burns, do not let bare skin touch hot surfaces. If provided, use handles when moving this heater. Keep combustible materials such as: furniture, pillows, bedding, papers, clothes and curtains away from heater.
5. To prevent a possible fire, do not block air intakes or exhaust in any manner. Do not use on soft surfaces like a bed where openings may become blocked.
6. Do not insert or allow foreign objects to enter any ventilation or exhaust opening as this may cause an electric shock or fire, or damage the heater.
7. Do not install these heaters against combustible, low density cellulose fibre surfaces.
8. Do not locate these heaters below any electrical convenience receptacles.
9. Check nameplate ratings to be sure the heater voltage is the same as the service supply. (The nameplate is located below the right side of the heating element.)
10. **HIGH TEMPERATURES:** Keep electrical cords, furniture, draperies or any other blocking material away from the heater. See Installation Section for specific distances.

This equipment has been tested and found to comply with the limits for a Class B digital device, pursuant to Part 15 of the FCC Rules. These limits are designed to provide reasonable protection against harmful interference in a residential installation. This equipment generates uses and can radiate radio frequency energy and, if not installed and used in accordance with the instructions, may cause harmful interference to radio communications. However, there is no guarantee that interference will not occur in a particular installation. If this equipment does cause harmful interference to radio or television reception, which can be determined by turning the equipment off and on, the user is encouraged to try to correct the interference by one of the following measures:

- Reorient or relocate the receiving antenna.
- Increase the separation between the equipment and receiver.
- Connect the equipment into an outlet on a circuit different from that to which the receiver is connected.
- Consult the dealer or an experienced radio/TV technician for help.

This device complies with Part 15 of the FCC Rules. Operation is subject to the following two conditions: (1) This device may not cause harmful interference, and (2) this device must accept any interference received, including interference that may cause undesired operation.

FCC CAUTION: Any changes or modifications not expressly approved by the party responsible for compliance could void the user's authority to operate this equipment.

This device complies with Industry Canada licence-exempt RSS standard(s). Operation is subject to the following two conditions: (1) this device may not cause interference, and (2) this device must accept any interference, including interference that may cause undesired operation of the device.

SAVE THESE INSTRUCTIONS

Installation Instructions

Placement of the Linear Proportional Convactor

Linear Proportional Convectors are high performance heaters designed to operate at higher outlet temperatures than conventional baseboard heaters. They can be directly mounted onto drywall, plaster, wood or concrete walls. Due to the higher outlet temperature, the wall surface can reach temperatures of 167° F (75° C) or above and some materials may discolor or deform at these temperatures, e.g. vinyl. In these cases the heater can be mounted with an offset from the wall and floor to reduce the temperature being applied to those materials. By installing the heater 5/8" (1.6 cm) off the wall and 1/4" (0.6 cm) off of the floor, the temperature of the wall above the heater can be reduced to 149° F (65° C).

! NOTE: If the unit is being installed on a newly constructed wall, ensure that all products that have been applied are fully cured according to manufacturer's instructions, before operating the unit.

Recommendations for Locating Drapes and Furniture near Heater (Figure 1)

! CAUTION: For objects located at specified distance (see below) from the heater, the material should not discolor, nor distort dimensionally (stretch or shrink) upon extended exposure (1000 hrs.) to a temperature of 200° F (93° C).

For most satisfactory operation of the heaters and minimum effect on drapes, furniture and objects in close proximity, the following recommendations should be observed:

1. **Full Length Drapes:** Hang drapes so there is at least 1.5" (3.8 cm) between the top of the drapes and the ceiling, at least 1.5" (3.8cm) between the bottom of the drapes and the finished floor covering (such as carpet, if used) AND at least 3" (7.6 cm) between the front vertical surface of the heater and the nearest fold of the drapes (opened drape). (Figure 1A)
2. **Shorter Length Drapes:** Hang drapes so there is at least 1.5" (3.8 cm) between the top of the drapes and the ceiling, and at least 6" (15.2 cm), preferably more, between the bottom of the drapes and the top horizontal surface of the heater. (Figure 1B)
3. **Furniture:** Place furniture no closer than 3" (7.62 cm) from the front of the Linear Proportional Convactor. (Figure 1D)
4. **Overhanging Solid Objects (Except Plastic):** Position Linear Convactor so there is at least 14" (35.6 cm) between the top of the heater and any solid object that obstructs or redirects the vertical air flow out of the top of the unit. (Figure 1C)
5. **Overhanging Plastic Objects:** All Plastic items that cannot withstand extended exposure to temperatures 60° C or higher should be kept a minimum of 20" (50.8cm) above the unit. (Figure 1C))

! NOTE: Ensure that when 2 Linear Proportional Convectors are installed near the same corner they are both a minimum of 6" from the corner.

Installation

All Linear Proportional Convectors must be connected from the right side of the heater.

! CAUTION: Disconnect power supply before installation to prevent electric shock.

1. Unpack and place Linear Proportional Convactor on floor face up, use packaging to protect floor if required. Remove front covers.
! NOTE: Remove the center cover, by releasing the top first.
! NOTE: Heater fins can be easily bent. For optimal performance ensure that they remain vertical.
2. Orient unit in desired location and mark pilot holes - top and bottom at both ends and at least one set in middle.
3. Wire unit as per diagrams (below) and National and Local Electrical Codes.

! CAUTION: Connect heaters to a branch circuit used only for permanently installed heater and protected by over current devices rated or set at no more than 30 amperes. The total

connected load should not be more than 80% of the rating of the over current devices. It may cause a fire hazard if not installed and maintained in accordance with these instructions.

- Position LPC, pushing cable back into wall (or conduit), run screws through pre-selected mounting holes and spacers (if applicable), using appropriate wall anchors, if necessary.

! NOTE: Screw should be backed off 1/2 turn from snug position to allow free expansion and contraction of housing and to ensure quiet operation.

- Replace covers on unit.

! NOTE: Install the center cover first, by installing the top first, then the bottom.

Usage of Multiple Linear Proportional Convertors

Multiple Linear Proportional Convertors can be wired in parallel on a single circuit. To use/control multiple Linear Proportional Convertors from a single source, a CONNEX™ controller can be used. By synchronizing one CONNEX™ controller to multiple LPC's, the controller can control all of the heaters from one location. Each component must be within 15m (45ft) of any other component in the system for the entire system to operate.

Operation

- This linear convector must be properly installed before it is used.
- Prior to energization remove all construction dirt (plaster, sawdust, etc.) from interior and exterior of linear convector.

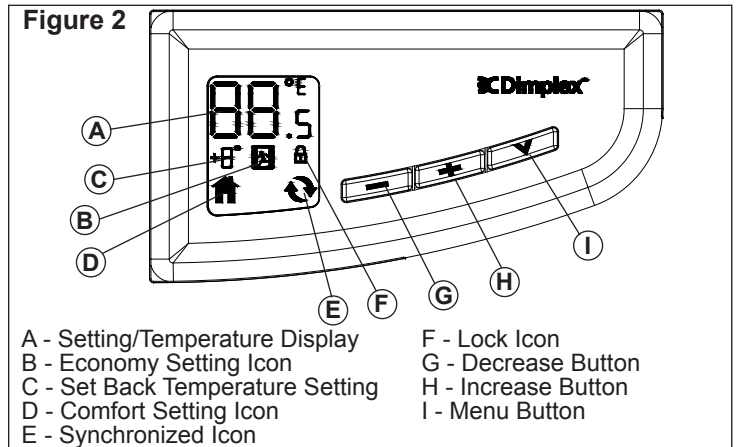
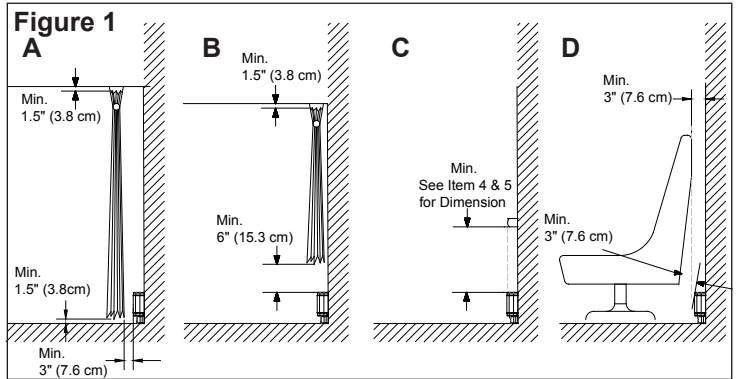
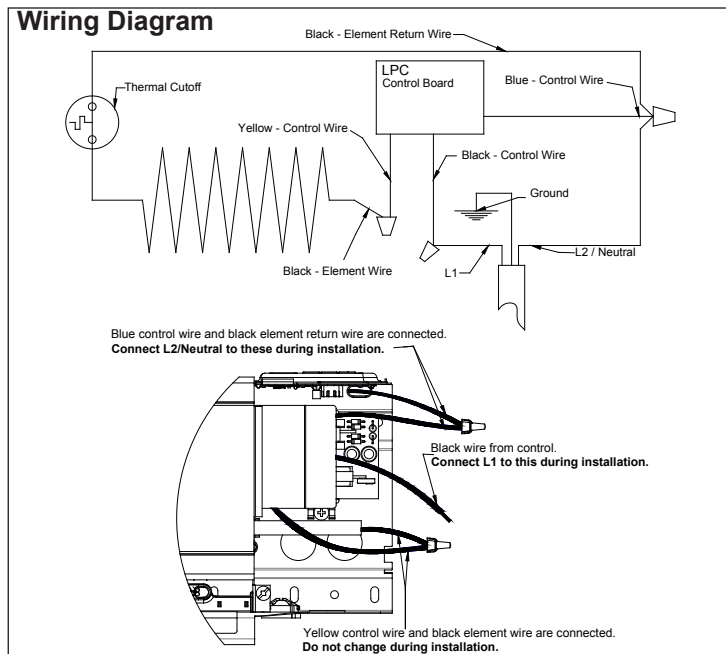
Dimplex linear convectors are designed and tested for safe and trouble-free operation. All Dimplex linear convectors are protected against overheating by a built-in thermal cutout. Free airflow throughout the linear convector is extremely important for the most efficient operation of the linear convector. Restricted airflow may cause the thermal overload protector to cycle the linear convector "ON and OFF". A cycling linear convector will not supply sufficient heat to the room.

! CAUTION: Avoid direct contact of paper, fabric, or furniture with linear convector, to prevent a possible fire.

When power is first supplied to the LPC the Setpoint Temperature will flash in the temperature display area. At any time either the + or - button can be pressed to have the temperature setpoint displayed again.

A. Setting/Temperature Display 88.5

The LPC is designed to control the temperature of a room anywhere from 32-86°F (0-30°C). Pressing the + or - will increase or decrease the desired temperature for the room to be heated by 0.5° (in either °C or °F).



After 5 seconds the Setpoint Temperature will switch to display the intake temperature of the room.

! NOTE: Pressing the + and - at the same time will toggle between °C and °F.

B. Economy Setting

The Economy Setting can be used to change the Setpoint Temperature for a variable period of time. By pressing the V the Economy Setting will be enabled - signified by the icon flashing. After the Set Back Temperature has been set, the icon will become solid after three seconds and the Set Back Temperature will be enabled.

To return back to the Comfort Setting press the V button and the icon will disappear and the icon will appear.

C. Set Back Temperature Setting

The Set Back Temperature Setting is used during periods when the Economy setting feature is active. This temperature adjustment can be set by pressing the V followed by the + or -.

D. Comfort Setting

The Comfort Setting icon will be displayed when the heater is in normal operation based on the Setpoint Temperature for the room.

! NOTE: Either the icon or icon will always be visible, dependent on the setting being used.

E. Synchronized Icon

The LPC features CONNEX™, a wireless technology that works with Dimplex single and multi-zone CONNEX™ controllers to provide simple whole home connectivity and comfort. CONNEX™ controllers are available to control one or multiple Precision Comfort Heaters within a 50' (15 m) radius. In order for the controller to have this function the LPC and the controller will need to be synchronized. To do this:

- On the LPC heater press and hold the V button for 3 seconds, both the and icons will begin to flash.
- Press the -, + and then V, on the LPC heater.
- Within 10 seconds press any button once on the CONNEX™ controller.

! NOTE: There is a 3 second delay between pressing the last button the CONNEX™ controller and the LPC heater.

! NOTE: To desynchronize a LPC heater from the synchronized CONNEX™ controller, on the LPC heater:

1. Press and hold the **V** for 3 seconds.
2. Press the **V, +** and then **-**.





Nothing will need to be done to the CONNEX™ controller.

Dimplex single and multi-zone CONNEX™ controllers are sold separately and are available for purchase from your authorized Dimplex dealer.

To find your local Dimplex dealer, visit www.dimplex.com.

F. Lock Icon

The Linear Proportional Convecteur Heater has a Button Lock feature, to prevent settings from accidentally being changed.

1. Press and hold the **V** for 3 seconds. Both the  and  icons will begin to flash.
2. **To Enable:** Within 5 seconds press **+**, then **-**, then **+**, then **-**. The  icon will now be visible.
To Disable: Within 5 seconds press **-**, then **+**, then **-**, then **+**. The  icon will not be visible.

! NOTE: The LPC can be locked in either the Comfort or Economy Setting. Ensure that the desired icons are present when locking is complete.

Maintenance

! CAUTION: Before removing the front cover for cleaning, make certain the power has been turned off at the circuit breaker panel, to prevent electric shock.

! CAUTION: To avoid burns, allow adequate time for the element and body casing to cool before attempting to work on the linear convecteur.

The LPC series contain no moving parts. Since the appliance contains no moving parts little maintenance is required beyond vacuum cleaning. It is however essential that the linear convecteur is not operated with an accumulation of dust or dirt on the element, as this can cause a build up of heat and eventual damage. For this reason the linear convecteur must be inspected regularly, depending upon conditions and at least at yearly intervals. Once cleaning is complete replace the front cover and restore power.

! NOTE: The user can perform cleaning ONLY. All other servicing should be performed by qualified service personnel.

Warranty

The Manufacturer warrants the Linear Proportional Convecteur and components of the enclosed product against any defect in material or workmanship for a period of one year from the date of purchase, with the exception of the elements which are warranted to be free from defect in material and workmanship for ten years. In full satisfaction of any claims under this Warranty the Manufacturer will repair or replace without charge, in its factory or in the field as it alone may decide, any parts which in its opinion are defective.

The Manufacturer shall not be responsible for any transportation or shipping costs in relation to such repair or replacement except as specifically assumed by it. Misuse of this product or repairs by persons other than the Manufacturer's authorized personnel without the Manufacturer's written approval will void this Warranty.

This Warranty is in lieu of all other warranties or conditions whether expressed or implied including but not limited to those of merchantability or fitness for purpose and shall constitute the sole remedy of the Purchaser and the sole liability of the Manufacturer in respect of the sale of the product, whether in the nature of breach or breach of fundamental term, or of negligence or otherwise.

The Manufacturer shall not be liable for any special, indirect or consequential damages or for any damages resulting from removal or replacement of a Linear Proportional Convecteur subject to warranty claim without the Manufacturer's authorization.

This Warranty is transferable by the original consumer purchaser of the product. Any claims under this Warranty must be submitted in writing to the Service Manager, Dimplex North America Ltd., 1367 Industrial Rd., Cambridge, Ontario N1R 7G8, Canada.

Linéaire Convecteur Proportionnelle Série LPC

 **Dimplex**®

Les meilleures solutions par l'innovation

INSTRUCTIONS IMPORTANTES

Lorsqu'un appareil électrique est utilisé, il est important de toujours prendre des précautions de base pour réduire les risques d'incendie, de chocs électriques et de blessures, y compris les suivantes :

1. Lire toutes les instructions avant d'utiliser ce radiateur.
 2. Les radiateurs et les commandes doivent être installés par un entrepreneur qualifié. Les procédures et les connexions du câblage doivent être conformes au Code national de l'électricité (CEC et NEC) et aux codes locaux.
 3. Tous les radiateurs contiennent des pièces qui chauffent et produisent un arc électrique ou des étincelles. Ne pas faire fonctionner l'appareil dans des endroits où de l'essence, de la peinture ou d'autres produits inflammables sont utilisés ou entreposés.
 4. Le radiateur devient chaud lorsqu'il est en marche. Pour éviter les brûlures, ne pas toucher les surfaces chaudes. Si elles sont fournies, utiliser les poignées pour déplacer le radiateur. Tenir le radiateur éloigné des matériaux combustibles, tels que : les meubles, les oreillers, la literie, le papier, les vêtements et les rideaux.
 5. Pour éviter un incendie, ne pas obstruer l'entrée ou la sortie d'air d'aucune façon. Ne pas placer l'appareil sur des surfaces souples, comme les lits, car ses ouvertures risquent d'être obstruées.
 6. Ne pas introduire ou laisser entrer des corps étrangers dans la prise d'air de ventilation ou la bouche de sortie d'air, car cela peut occasionner des chocs électriques, provoquer un incendie ou endommager le radiateur.
 7. Ne pas installer ces radiateurs contre des surfaces en fibres de cellulose à faible densité combustibles.
 8. Ne pas placer ces radiateurs en dessous de prises de courant.
 9. Vérifier la tension indiquée sur la plaque signalétique du radiateur pour veiller à ce que la tension soit identique à celle de la source d'alimentation. (La plaque signalétique est située sous le côté droit de l'élément chauffant.)
 10. **HAUTES TEMPÉRATURES:** Tenir les câbles électriques, les meubles, les tentures ou tout objet pouvant obstruer le radiateur loin de ce dernier. Voir la section Installation pour des distances spécifiques.
- Cet appareil a été testé et jugé conforme aux limites autorisées pour un dispositif numérique de classe B, en vertu de la partie 15 des règlements de la FCC. Ces limites visent à offrir une protection raisonnable contre les interférences nuisibles dans une installation résidentielle. Ce produit génère, utilise et peut émettre de l'énergie radioélectrique. S'il n'est pas installé et utilisé selon les instructions, il peut causer des interférences nuisibles aux communications radio. Toutefois, il n'y a aucune garantie que l'appareil ne causera

pas d'interférence dans le cas d'une installation particulière. Si ce produit cause des interférences nuisibles à la réception des signaux de radio ou de télévision, ce qui peut être vérifié en mettant le commutateur de l'appareil en position de marche puis d'arrêt, nous recommandons à l'utilisateur de tenter d'éliminer les interférences à l'aide d'une ou de plusieurs des mesures suivantes :

- Changer l'orientation ou l'emplacement de l'antenne réceptrice.
- Augmenter la distance entre l'appareil et le récepteur.
- Brancher l'appareil dans une prise sur un circuit autre que celui où le récepteur est branché.
- Consulter le détaillant ou un technicien radio/télévision expérimenté pour obtenir de l'aide.

L'appareil est conforme à la partie 15 des règlements de la FCC. L'utilisation de l'appareil est assujettie aux deux conditions suivantes : (1) L'appareil ne doit pas causer d'interférences nuisibles. (2) L'appareil doit accepter toute interférence captée, y compris les interférences susceptibles de causer un fonctionnement indésirable.

⚠ MISE EN GARDE de la FCC: Les changements ou les modifications n'ayant pas fait l'objet d'une approbation expresse de la partie responsable de la conformité auront pour effet d'annuler le droit d'utilisation de l'appareil par l'utilisateur.

Cet appareil est conforme aux normes CNR relatives aux dispositifs exempts de licence d'Industrie Canada. L'utilisation de l'appareil est assujettie aux deux conditions suivantes: (1) L'appareil ne doit pas causer d'interférences. (2) L'appareil doit accepter toute interférence captée, y compris les interférences susceptibles de causer un fonctionnement indésirable de l'appareil.

CONSERVER CES INSTRUCTIONS

Instructions d'installation

EMPLACEMENT DU CONVECTEUR LINÉAIRE

Les linéaires convecteurs proportionnels sont des radiateurs hautement performants conçus pour fonctionner à des températures supérieures à celles des plinthes chauffantes ordinaires. Ils peuvent être montés directement sur placoplâtre, le plâtre, le bois ou les murs en béton. En raison des températures élevées émises par le convecteur, la surface du mur peut atteindre des températures de 167 °F (75 °C) ou plus et certains matériaux pourraient se décolorer ou se déformer (ex.: vinyle). Dans ces situations, le convecteur peut être espacé du mur et du plancher afin de réduire l'exposition des matériaux à ces températures. En installant le convecteur à 5/8 po (1,6 cm) du mur et à 1/4 po (0,6 cm) du plancher, la température émise par l'appareil peut être réduite à 149°F (65°C).

! NOTA: Si l'appareil est installé contre un mur de construction nouvelle, s'assurer que tous les matériaux appliqués ont été entièrement traités selon les instructions du fabricant avant de mettre l'appareil en marche.

RECOMMANDATIONS POUR L'EMPLACEMENT DE RIDEAUX ET DE MEUBLES À PROXIMITÉ DES LINÉAIRES CONVECTEURS PROPORTIONNELLE (FIGURE 1)

! NOTE: Le matériau des objets situés aux distances prescrites (voir ci-dessous) du radiateur sera à l'épreuve de la décoloration ou de la distorsion (étirement ou rétrécissement) après une exposition prolongée (1000h) à une température de 200°F (93°C).

Pour un fonctionnement optimal des linéaires convecteurs proportionnels et pour minimiser leurs effets sur les rideaux, les meubles et les objets à proximité, observer les recommandations suivantes:

- 1. Rideaux longs:** Accrocher les rideaux de manière à ce qu'il y ait un espace d'au moins 1,5 po (3,8 cm) entre le haut des rideaux et le plafond, d'au moins 1,5 po (3,8 cm) entre le bas des rideaux et le revêtement du plancher (comme une moquette) ET d'au moins 3 po (7,6 cm) entre la surface verticale frontale du radiateur et le pli de rideau le plus près (rideaux ouverts). (Figure 1A)
- 2. Rideaux courts:** Accrocher les rideaux de manière à ce qu'il y ait un espace d'au moins 1,5 po (3,8 cm) entre le haut des rideaux et le plafond et d'au moins 6 po (15,3 cm), préférablement davantage, entre le bas des rideaux et la surface horizontale supérieure du radiateur. (Figure 1B)
- 3. Meubles:** La distance entre les meubles et l'avant du convecteur

linéaire ne doit pas être inférieure à 3 po (7,62 cm). (Figure 1D)

- 4. Objets solides suspendus (à l'exception du plastique):** Positionner le convecteur linéaire de manière à ce qu'il y ait un espace d'au moins 14 po (35,6 cm) entre le haut du radiateur et tout objet solide susceptible d'obstruer ou de dévier le débit d'air vertical au haut de l'appareil. (Figure 1C)
- 5. Objets en plastique suspendus:** Tous les objets en plastique ne pouvant pas supporter longtemps des températures de 140 °F (60 °C) ou plus doivent être installés à au moins 20 po (50,8 cm) de l'appareil. (Figure 1C)

! NOTA: Si 2 linéaires convecteurs proportionnels sont installés près d'un même angle mural, s'assurer qu'ils sont placés à au moins 6 po (15,3 cm) de l'angle.

INSTALLATION

Tous les linéaires convecteurs proportionnels doivent être branchés au côté droit du radiateur.

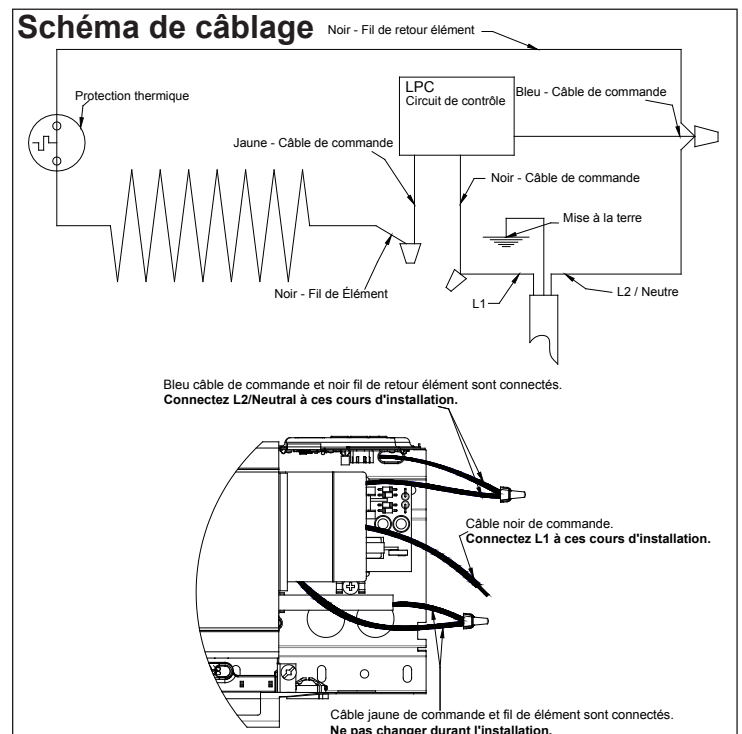
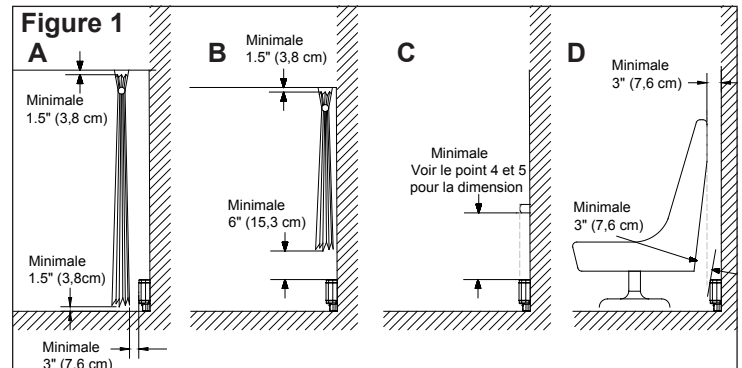
⚠ AVERTISSEMENT: Couper la source d'alimentation avant l'installation pour prévenir les chocs électriques.

- Déballer et déposer le convecteur linéaire sur le sol, face vers le haut (utiliser le matériau d'emballage pour protéger le plancher au besoin). Retirer les couvercles avant.

! NOTA: Retirer le couvercle central en libérant le haut d'abord.

! NOTA: Les ailettes de l'appareil sont pliables facilement. Pour obtenir un rendement optimal, s'assurer qu'elles restent à la verticale.

- Orienter l'appareil de la façon désirée et marquer l'emplacement de trous pilotes - au haut et au bas à chaque extrémité, et au moins un dans le milieu.
- Installer le câblage selon les instructions des diagrammes de la



page 3 et des codes d'électricité national et local.

⚠ MISE EN GARDE: Brancher les linéaires convecteurs proportionnels à un circuit de dérivation relié uniquement à des linéaires convecteurs proportionnels dont l'installation est permanente et pourvu de dispositifs de protection contre les surintensités d'une valeur nominale ou réglée inférieure ou égale à 30 ampères. La puissance raccordée totale ne doit pas excéder 80 % de la tension nominale des dispositifs de protection contre les surintensités. Il y a risque d'incendie si l'appareil n'est pas installé en entretenu conformément à ces instructions.

- Positionner le convecteur mural en dissimulant les câbles dans le mur (ou conduit), insérer des vis dans les trous pilotes présélectionnés ainsi que des séparateurs (le cas échéant) à l'aide des chevilles d'ancrage au besoin.

! NOTA: Les vis ne doivent pas être fermement serrées; les desserrer de 1/2 tour en prévision des effets d'expansion et de contraction du boîtier et pour assurer un fonctionnement silencieux.

- Remettre les couvercles en place sur l'appareil.

! NOTA: Installer le couvercle central d'abord en commençant par le haut, puis le bas.

CONNEXION DE PLUSIEURS LINÉAIRES CONVECTEURS PROPORTIONNELLE

Une chaîne de linéaires convecteurs proportionnels peut être câblée en parallèle ou sur un seul circuit. Pour utiliser/commander plusieurs linéaires convecteurs proportionnels à partir d'une source unique, utiliser les contrôleurs CONNEX™. En synchronisant un contrôleur CONNEX™ avec plusieurs linéaires convecteurs proportionnels, la télécommande peut commander tous les linéaires convecteurs proportionnels à partir d'un seul endroit. Pour que le système fonctionne, chaque composant doit être situé à moins de 45 pi (15 m) de tout autre composant de la chaîne.

Utilisation

- Ce convecteur linéaire doit être installé correctement avant de l'utiliser.
- Avant de le mettre en marche, éliminer les débris causés par le montage (plâtre, sciure, etc.) à l'intérieur et à l'extérieur du convecteur linéaire.

Les convecteurs linéaires de Dimplex ont été conçus et testés pour un fonctionnement sans problème. Tous les convecteurs linéaires de Dimplex sont munis d'un coupe-circuit thermique intégré afin de prévenir les surchauffes. Il est très important que l'air circule librement à travers le convecteur linéaire pour assurer son fonctionnement optimal. Lorsque la circulation d'air est entravée, le dispositif de protection de surcharge thermique peut entraîner l'arrêt et la mise en marche cycliques du convecteur linéaire. Un convecteur linéaire qui fonctionne de façon cyclique ne pourra pas réchauffer efficacement la pièce.

⚠ MISE EN GARDE: Éviter tout contact direct entre le convecteur linéaire et le papier, le tissu ou les meubles, pour éviter un incendie.

Lorsque l'alimentation est d'abord fourni à la LPC la température de consigne clignote dans la zone d'affichage de la température. A tout moment, soit la touche «+» ou «-» peut être pressé d'avoir la température de consigne s'affiche à nouveau.

A. Réglages/Afficheur de la température 88.5

Le LPC est conçu pour contrôler la température d'une pièce dans une plage de 32 à 86 °F (0 à 30 °C). Appuyer sur «+» ou «-» pour augmenter ou diminuer la température voulue de la pièce par tranche de 0,5 (°C ou °F).

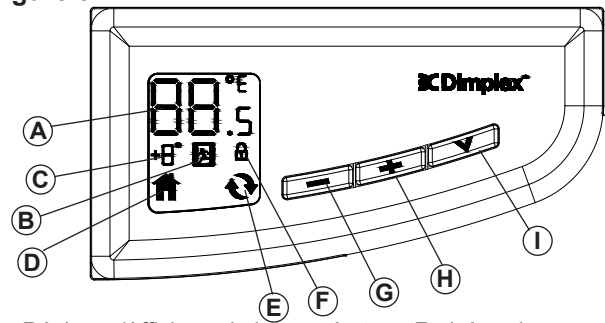
Après 5 secondes, la valeur de la température de consigne va disparaître et la température lecture apparaît.

! NOTA: Appuyer sur les boutons «+» et «-» en même temps pour passer des degrés Celsius (°C) aux degrés Fahrenheit (°F).

B. Mode d'économie d'énergie

Le mode d'économie d'énergie permet de changer la température réglée pour une période de temps variable. Appuyer sur le bouton «V» pour activer le mode d'économie d'énergie, représenté par une icône clignotante. Une fois la température réduite réglée, l'icône devient fixe après trois secondes, ce qui active la température réduite.

Figure 3



- A - Réglages/Afficheur de la température
- B - Icône du mode d'économie d'énergie
- C - Réglage de la température réduite
- D - Icône du mode confort
- E - Icône de synchronisation
- F - Icône de verrouillage
- G - Bouton de diminution
- H - Bouton d'augmentation
- I - Bouton du menu

Pour revenir au mode confort, appuyer sur le bouton «V» L'icône disparaîtra et celle apparaîtra.

C. Réglage de la température réduite +8°

Le réglage de la température réduite est utilisé quand le mode d'économie d'énergie est activé. Pour régler la température, appuyer sur le bouton «V», puis sur le bouton «+» ou «-».

D. Mode confort

L'icône du mode confort s'affiche quand le radiateur fonctionne en mode normal, selon la valeur de la température réglée de la pièce.

! NOTA: Soit sur l'icône ou sera toujours visible, dépend du réglage utilisé.

E. Icône de synchronisation

Ces appareils de chauffage sont compatibles avec les contrôleurs Dimplex CONNEX^{MC} simple ou à multi zones pour une connectivité et un confort total de la maison. Les contrôleurs Dimplex CONNEX^{MC} sont disponibles de contrôler un ou plusieurs chauffages de précision à mode confort unités installés dans un rayon de 50 pi (15 m). Pour que la contrôleur CONNEX^{MC} ait cette fonction, elle doit être synchronisée avec le LPC. Pour ce faire:

- Appuyer sans relâcher, pendant 3 secondes, sur le bouton «V» sur le LPC radiateur; la fois les et les icônes se mettra à clignoter.
- Appuyer sur les boutons «-» , «+» puis «V» du dispositif de commande du LPC radiateur.
- Dans les dix (10) secondes suivantes, appuyer sur n'importe quel bouton du dispositif sur la contrôleur CONNEX^{MC}.

! NOTA: Il ya un délai de 3 secondes entre la pression sur le dernier bouton sur la contrôleur CONNEX^{MC} et le LPC radiateur.

! NOTA: Pour désynchroniser le Convecteur Proportionnel Linéaire et la contrôleur CONNEX^{MC}, sur le LPC radiateur:

- Appuyer sans relâcher sur le bouton «V» pendant 3 secondes.
- Appuyer sur les boutons «V», «+» puis «-».

Il ne faut rien faire à partir du dispositif de réglage mural.

Contrôleurs Dimplex CONNEX^{MC} simple ou à multi zones sont vendus séparément par votre dépositaire Dimplex autorisé.

Pour trouver votre revendeur Dimplex locale, visitez www.dimplex.com.

F. Icône de verrouillage

Le Convecteur Proportionnel Linéaire dispose d'une fonction de verrouillage, qui prévient le changement accidentel des réglages.

- Appuyez sur le «V» pendant 3 secondes. Les deux et icônes se mettent à clignoter.
- Pour activer la fonction de verrouillage: À l'intérieur de 5 secondes, appuyer sur les boutons «+», «-», «+», «-». L'icône de verrouillage apparaîtra.

Pour désactiver la fonction de verrouillage: À l'intérieur de 5 secondes, appuyer sur les boutons «-», «+», «-», «+». L'icône de verrouillage disparaîtra.

! NOTA: La LPC peut être verrouillé soit dans le confort ou économique. Assurez-vous que les icônes désirées sont présentes lors du verrouillage est terminée.

Entretien

⚠ MISE EN GARDE: Avant de retirer le couvercle pour le nettoyage, s'assurer que l'alimentation électrique a été coupée au panneau des disjoncteurs, pour prévenir les chocs électriques.

⚠ MISE EN GARDE: Pour éviter les brûlures, accorder à l'élément et au boîtier suffisamment de temps pour refroidir avant de procéder à l'entretien du convecteur linéaire.

Les appareils de la série LPC ne contiennent aucune pièce mobile. Comme l'appareil ne contient aucune pièce mobile, il exige peu d'entretien au-delà d'un nettoyage à l'aspirateur. Toutefois, il est essentiel de ne pas faire fonctionner le convecteur linéaire si de la poussière ou de la saleté s'est accumulée sur l'élément; l'accumulation de chaleur pourrait causer des dommages. Pour cette raison, le convecteur linéaire doit être inspecté régulièrement, selon ses conditions d'utilisation, et au moins une fois par année. Une fois le nettoyage terminé, refermer le couvercle et rétablir le courant.

! NOTA: L'utilisateur peut effectuer le nettoyage SEULEMENT. Toute autre tâche d'entretien doit être confiée à du personnel qualifié.

Garantie

Le fabricant offre une garantie d'un an à compter de la date d'achat pour tout vice de matériaux ou de fabrication du Convecteur Proportionnel Linéaire et de ses composants, à l'exception des éléments qui sont garantis contre tout vice de matériaux et de fabrication pour une période de dix ans. Dans le but de satisfaire à toute demande liée à la garantie, le fabricant réparera ou remplacera sans frais, en usine ou chez le client, à sa discrétion, toute pièce jugée défectueuse.

Les frais de transport et d'expédition liés à la réparation ou au remplacement n'incombent pas au fabricant, à l'exception des frais spécifiquement couverts par la garantie. Le mauvais usage ou la réparation de l'appareil par une personne autre qu'un membre du personnel autorisé par le fabricant sans l'autorisation écrite de ce dernier annulera la présente garantie.

La présente garantie remplace toute autre garantie ou condition, explicite ou tacite, y compris, sans toutefois s'y limiter, les garanties de qualité marchande ou de convenance à un usage particulier. De plus, la garantie constitue le seul recours de l'acheteur et la seule responsabilité du fabricant en ce qui concerne la vente de l'appareil, sans égard à la nature d'une rupture de contrat, à la rupture d'une condition fondamentale, à une négligence ou à toute autre raison.

Le fabricant ne peut être tenu responsable de dommages particuliers, indirects ou consécutifs ni de dommages résultant du retrait ou du remplacement d'un Convecteur Proportionnel Linéaire faisant l'objet d'une réclamation sous garantie sans l'autorisation du fabricant.

Cette garantie peut être transférée par l'acheteur initial du produit. Toute réclamation au titre de la présente garantie devra être soumise par écrit au directeur du service à la clientèle à : Dimplex North America Limited, 1367 Industrial Road, Cambridge, Ontario, N1R 7G8, Canada.

Convector Proporcional Lineal Serie LPC

 **Dimplex**[®]

Mejores soluciones a través de la innovación

INSTRUCCIONES IMPORTANTES

Cuando se utilizan aparatos eléctricos, siempre se deben tomar precauciones básicas a fin de reducir los riesgos de incendios, descargas eléctricas y lesiones a personas, incluyendo lo siguiente:

1. Lea todas las instrucciones antes de utilizar este calefactor.
2. Los convectores lineales y los controles deberían ser instalados por un contratista calificado. Los procedimientos para el cableado y las conexiones deberían estar de acuerdo con el código eléctrico nacional National Electric Code (CEC y NEC) y con los códigos locales.
3. Un calefactor tiene en su interior piezas calientes y que generan arcos o chispas. No lo utilice en áreas donde se usen o almacenen gasolina, pintura o líquidos inflamables.
4. Cuando se encuentra en uso, este calefactor está caliente. Para evitar quemaduras, no permita que la piel expuesta entre en contacto con las superficies calientes. Si se proporcionan manijas, utilícelas cuando mueva este calefactor. Mantenga alejados del calefactor los materiales combustibles tales como: muebles, almohadas, ropa de cama, papeles, ropa y cortinas.
5. Para evitar posibles incendios, no bloquee en forma alguna las tomas o descargas de aire. No lo utilice sobre superficies blandas tales como una cama donde es posible que las aberturas queden bloqueadas.
6. No inserte ni permita que ingresen objetos extraños en ninguna abertura de ventilación o descarga, ya que esto puede causar descargas eléctricas o incendio, o dañar el calefactor.
7. No instale estos calefactores contra superficies combustibles de fibra celulosa de baja densidad.
8. No ubique estos calefactores debajo de ningún receptáculo de tomacorriente eléctrico.
9. Verifique los valores de la placa de identificación para asegurarse de que la tensión del calefactor sea la misma que la del suministro de servicio. (La placa de identificación se encuentra ubicada bajo el lado derecho del elemento calentador).
10. **TEMPERATURAS ELEVADAS:** Mantenga alejados del calefactor los cables eléctricos, muebles, cortinados o cualquier otro tipo de material bloqueante. Vea la sección de instalación para distancias específicas.

Este aparato ha sido ensayado y encontrado conforme con las exigencias. Se realizaron pruebas al equipo y se determinó que cumple con los límites de un dispositivo digital de Clase B, conforme a la Sección 15 de las Reglas de la FCC. Estos límites están diseñados para proporcionar una protección razonable contra interferencias perjudiciales en una instalación residencial. Este equipo genera, utiliza y puede irradiar energía de radiofrecuencia y, si no se instala y utiliza conforme a las instrucciones, podría provocar interferencias perjudiciales en las comunicaciones de radio. Sin embargo, no hay garantía alguna de que no ocurrirán interferencias en una instalación en particular. Si este equipo provoca interferencias perjudiciales en la recepción de radio o televisión, lo cual se puede determinar apagando y encendiendo el equipo, se recomienda al usuario intentar corregir estas interferencias mediante una de las siguientes medidas:

- Reoriente o reubique la antena receptora.
- Incremente la separación entre el equipo y el receptor.
- Conecte el equipo a un tomacorriente que se encuentre en un circuito diferente al del receptor.
- Para obtener ayuda, consulte con el distribuidor o con un técnico experimentado en radio/TV.

Este dispositivo cumple con la Sección 15 de las Reglas de la FCC. El funcionamiento se encuentra sujeto a las siguientes dos condiciones: (1) este dispositivo no podrá provocar interferencias perjudiciales, y (2) este dispositivo debe aceptar cualquier interferencia que se reciba, incluyendo interferencias que pudieran provocar un funcionamiento no deseado.

⚠ ADVERTENCIA de la FCC: Cualquier cambio o modificación que no esté expresamente aprobado por la parte responsable del cumplimiento podría invalidar la autoridad del usuario para operar este equipo.

Este dispositivo cumple con la(s) norma(s) RSS para dispositivos exentos de licencia de Industry Canada. El funcionamiento se encuentra sujeto a las siguientes dos condiciones: (1) este dispositivo no podrá provocar interferencias, y (2) este dispositivo debe aceptar cualquier interferencia, incluyendo interferencias que pudieran provocar un funcionamiento no deseado del dispositivo.

GUARDE ESTAS INSTRUCCIONES

Instrucciones para la instalación

Ubicación del Convector Proporcional Lineal

Los Convectores Proporcionales Lineales son calefactores de alto rendimiento diseñados para funcionar a temperaturas de salida mayores que los calefactores de zócalo convencionales. Se puede montar directamente en un muro, yeso, madera o paredes de hormigón. Debido a la temperatura de salida más alta, la superficie de la pared puede alcanzar temperaturas de 167 ° F (75 ° C) o más, y algunos materiales pueden decolorar o deformar a estas temperaturas, por ejemplo, de vinilo. En estos casos el calefactor se puede montar a una distancia de separación de la pared y del piso a fin de reducir la temperatura que se aplica a estos materiales. Instalando el calefactor a una distancia de 5/8 pulg. (1,6 cm) de la pared y 1/4 pulg. (0,6 cm) del piso, la temperatura de la pared por encima del calefactor se puede reducir a 149° F (65° C).

! NOTA: Si se está instalando la unidad en una pared recientemente construida, asegúrese de que todos los productos que se hayan aplicado se hayan curado completamente de acuerdo con las instrucciones del fabricante, antes de poner la unidad en funcionamiento.

Recomendaciones para ubicar Cortinas y Muebles cerca del Calefactor (Figura 1)

! PRECAUCIÓN: Para ser adecuado para objetos que se colocan a la distancia especificada (ver más abajo) del calefactor, el material no debería decolorarse ni las dimensiones distorsionarse (estirarse o encogerse) ante una exposición prolongada (1000 hrs.) a una temperatura de 200 °F (93 °C).

Para un funcionamiento más satisfactorio de los calefactores, y un mínimo efecto sobre cortinas, muebles y objetos, se deberían seguir las siguientes recomendaciones:

- 1. Cortinas de cuerpo entero:** Cuelgue las cortinas de manera tal que haya al menos 1.5 pu (3.8 cm) entre la parte superior de las mismas y el cielo raso, cuelgue las cortinas de modo tal que cuando el calefactor esté en uso se extiendan por debajo de la línea central del mismo, pero con una separación de al menos 1.5 pu (3.8 cm) del revestimiento de piso terminado (tal como una moqueta, en caso de utilizarse) y cuelgue las cortinas de manera tal que haya al menos 3 pu (7.6 cm) entre el frente extremo del calefactor y el pliegue más próximo de las cortinas, en la posición desplegada (cortina abierta). (Figura 1A)
- 2. Cortinas corta duración:** Cuelgue las cortinas de manera tal que haya al menos 1.5 pu (3.8 cm) entre la parte superior de las mismas y el cielo raso, si las cortinas se han de cortar por encima del calefactor, se deberían cortar al menos 6 pu (15.2 cm) por encima de la parte superior del calefactor, preferentemente más. (Figura 1B)
- 3. Muebles:** No coloque muebles a menos de 3 pu (7.6 cm) de distancia del calefactor. (Figura 1D)
- 4. Objetos sólidos salientes (a excepción de plástico):** Posicione el convector lineal de manera tal que haya al menos 14 pulg. (35,6 cm) entre la parte superior del calefactor y cualquier objeto sólido que obstruya o desvíe el flujo de aire vertical que sale de la parte superior de la unidad. (Figura 1C)
- 5. Objetos plástico salientes:** Todos los artículos de plástico que no pueden soportar la exposición prolongada a temperaturas de 60 ° C o superior debe mantenerse un mínimo de 20 " (50,8 cm) por encima de la unidad. (Figura 1C)

! NOTA: Asegúrese de que cuando dos Convectores Proporcional Lineal se instalan cerca de la misma esquina que son a la vez un mínimo de 6 "de la esquina.

INSTALACIÓN

Todos Convectores Proporcionales Lineales deben estar conectados desde el lado derecho del calentador.

! PRECAUCIÓN: Desconecte el suministro de energía antes de la instalación para evitar descargas eléctricas.

1. Coloque el Convector Proporcional Lineal en el piso mirando hacia arriba. Si es necesario, utilice el embalaje para protegerlo. Retire las portadas

! NOTA: Quite la cubierta del centro, mediante la liberación de la parte superior en primer lugar.

! NOTA: Aletas de calentador doblado fácilmente. Para un rendimiento óptimo asegurar que siguen siendo vertical.

Diagrama de cableado

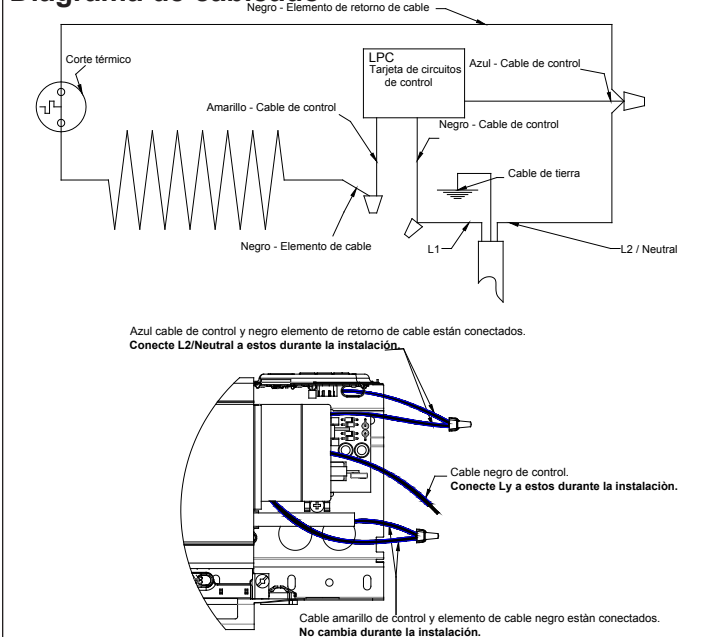
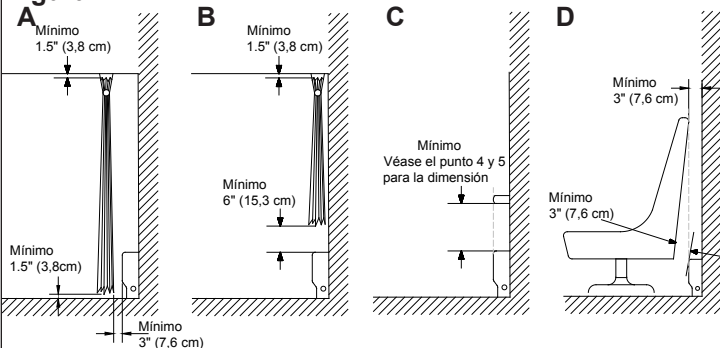


Figura 1



2. Lugar de la unidad en la posición deseada y marque los agujeros piloto - superior e inferior en ambos extremos y al menos un conjunto en el medio.
3. Alambre de la unidad en forma de diagramas (ver más abajo) y los códigos eléctricos nacionales y locales.

! PRECAUCIÓN: Conecte los convectores lineales a un circuito ramal que se utilice solamente para los convectores lineales instalados en forma permanente, y que esté protegido por dispositivos contra sobrecorriente clasificados para o configurados en no más de 30 amperes. La carga total conectada no debería ser más del 80% de la clasificación de los dispositivos contra sobrecorriente. Esto puede causar un peligro de incendio si no se instala y mantiene de acuerdo con estas instrucciones.

4. Posición de Convector Proporcional Lineal, llevando cable de nuevo en la pared (o canal), ejecute los tornillos a través de pre-selección dos los agujeros de montaje y espaciadores (si corresponde), con anclas de pared apropiadas, si fuera necesario.

! NOTA: El tornillo se debería aflojar 1/2 vuelta con respecto a la posición ajustada a fin de permitir la libre dilatación y contracción de la carcasa y asegurar un funcionamiento silencioso.

5. Reemplace las cubiertas de la unidad.

! NOTA: Instale la cubierta del centro primer, mediante la instalación de la parte superior, luego la parte inferior.

Uso de múltiples Convectores Proporcional Lineal

Múltiples Convectores Proporcional Lineales pueden ser conectados en paralelo en un solo circuito. Para utilizar / controlar múltiples Convectores Lineal Proporcional a partir de una sola fuente, un montaje en la pared de controlador CONNEX™ se puede utilizar. Mediante la sincronización de una pared a distancia para múltiples LPC, el controlador de la pared puede controlar todos los calentadores de un lugar. Cada componente debe estar dentro de 15 metros (45 pies) de cualquier otro componente en el sistema para todo el sistema para operar.

Funcionamiento

1. Este convector lineal debe instalarse correctamente antes de utilizarlo.
2. Antes de energizarlo, quite toda la suciedad proveniente de la construcción (yeso, aserrín, etc.) del interior y del exterior del convector lineal.

Los convectores lineales Dimplex están diseñados y ensayados para tener un funcionamiento seguro y sin problemas. Todos los convectores lineales Dimplex están protegidos contra el recalentamiento por un corte térmico integrado. A fin de lograr el funcionamiento más eficiente del convector lineal, es de suma importancia que el aire fluya libremente a través del mismo. Un flujo de aire restringido podría causar que el protector contra sobrecargas térmicas haga alternar el convector lineal entre "ENCENDIDO y APAGADO" intermitentemente. Un convector lineal que se enciende y apaga intermitentemente no suministrará suficiente calor a la habitación.

PRECAUCIÓN: Evite el contacto directo del convector lineal con papel, tela o muebles, para evitar posibles incendios.

Tras encender el suministrado a la LPC la temperatura de consigna parpadea en el área de visualización de la temperatura. En cualquier momento ya sea el botón + o - se puede presionar para que el ajuste de la temperatura visualizará de nuevo.

A. Pantalla de temperatura/configuración

El calentador PCH está diseñado para mantener la temperatura de una habitación entre 32-86°F (0-30°C). Presionar + o - incrementará o reducirá en 0,5° (ya sea en °C o °F) la temperatura deseada para la habitación que se está calentando.

Después de 5 segundos, el valor de temperatura le mostrarán la lectura de la temperatura.

NOTA: Presionar + y - simultáneamente alternará entre °C y °F.

B. Configuración Económica

La Configuración Económica se puede utilizar para cambiar la temperatura configurada para un período de tiempo variable. Al presionar V la configuración económica se habilitará, lo cual se indica mediante el ícono destellante. Luego de que se ha configurado la reducción automática de temperatura, el ícono quedará fijo después de tres segundos, y la reducción automática de temperatura estará habilitada.

Para regresar a la Configuración de Confort, presione el botón V, el ícono desaparecerá, y el ícono aparecerá.

C. Configuración de la reducción automática de temperatura

La configuración de reducción automática de temperatura se utiliza durante períodos en que la función de Configuración Económica está activa. Este ajuste de temperatura se puede configurar presionando V seguido de + o -.

D. Configuración de Confort

El ícono de Configuración de Confort se mostrará cuando el calefactor esté en funcionamiento normal con base en el valor determinado de temperatura para la habitación.

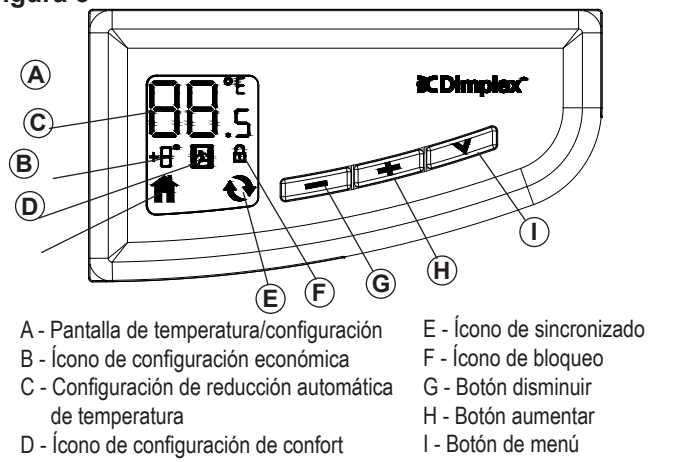
NOTA: Ya sea el ícono o el estarán visibles siempre, dependiendo de la configuración que se esté utilizando.

E. Ícono de sincronizado

Los calentadores incluyen CONNEX™ tecnología inalámbrica compatible con controladores Dimplex para una o varias zonas para proporcionar conectividad y confort para toda la casa. Controladores CONNEX™ para controlar uno o varios calentadores para confort con precisión dentro de un radio 50 pies (15 m). Para que el controladores de pared cuente con esta función, el calentador LPC y controlador de pared necesitan estar sincronizados. Para hacer esto:

1. En el LPC calefacteur, presione y mantenga oprimido durante 3 segundos el botón V ; tanto en el y los iconos comenzará a destellar.
2. Presione -, + y luego V, en el LPC calefacteur.
3. Dentro de los 10 segundos, presione cualquier botón en el controlador.

Figura 3



NOTE: Hay un retraso de 3 segundos entre la pulsación del botón de la controlador y el LPC.

NOTA: Para desincronizar un Convector Proporcional Lineal de la controlador, en el Convector Proporcional Lineal:

1. Presione V y manténgalo oprimido durante 3 segundos.
2. Presione V, + y luego -.

No es necesario hacer nada en el controlador.

Controladores Dimplex para una o varias zonas se encuentran disponibles para la compra por separado en su distribuidor autorizado de Dimplex.

Para encontrar su distribuidor local de Dimplex, visite www.dimplex.com.

F. Ícono de bloqueo

El calefactor Convector Proporcional Lineal cuenta con una función de bloqueo de botones, a fin de evitar que las configuraciones se modifiquen accidentalmente.

1. En el Convector Proporcional Lineal, presione y mantenga oprimido durante 3 segundos el botón V ; tanto en el y los iconos comenzará a destellar.
2. Para habilitar: En el transcurso de 5 segundos, presione +, luego -, luego +, luego -, luego presione V. El ícono de bloqueo ahora estará visible.

Para inhabilitar: En el transcurso de 5 segundos, presione -, luego +, luego -, luego +, luego presione V. El ícono de bloqueo no estará visible.

NOTA: La LPC se puede bloquear, ya sea en la comodidad o económicos. Asegúrese de que los iconos deseados están presentes cuando se cierre se ha completado.

Mantenimiento

PRECAUCIÓN: Antes de retirar la cubierta delantera para realizar una limpieza, asegúrese de que el suministro de energía se haya desconectado en el panel del disyuntor, para evitar descargas eléctricas

PRECAUCIÓN: Para evitar quemaduras, permita que transcurra un tiempo adecuado para que el elemento y la carcasa del cuerpo se enfríen antes de intentar trabajar en el convector lineal.

La serie LPC no contiene piezas móviles. Debido a que el electrodoméstico no contiene piezas móviles, se requiere poco mantenimiento más allá de la limpieza con aspiradora. Sin embargo, es esencial que el convector lineal no se haga funcionar con una acumulación de polvo o suciedad sobre el elemento, ya que esto puede causar un incremento del calor y eventualmente daños. Por este motivo el convector lineal se debe inspeccionar con regularidad, dependiendo de las condiciones, y al menos una vez al año. Una vez que se haya completado la limpieza, vuelva a colocar la cubierta delantera y restablezca el suministro de energía.

NOTA: El usuario puede llevar a cabo la limpieza SOLAMENTE. Cualquier otra tarea de servicio debería ser realizada por personal de servicio calificado.

Garantía

El fabricante garantiza el Convector Proporcional Lineal y los componentes del producto que se adjunta contra cualquier defecto de materiales o fabricación durante un periodo de un año a partir de la fecha de compra, con la excepción de los elementos, que se garantizan libres de defectos de materiales y fabricación durante diez años. Como satisfacción total de cualquier reclamo bajo esta garantía, el fabricante reparará o reemplazará sin cargo, en su fábrica o en campo a su entera elección, cualquier pieza que en su opinión sea defectuosa.

El fabricante no será responsable de ningún costo de transporte y envío en relación a dicha reparación o reemplazo, excepto como los asuma específicamente. El mal uso de este producto, o las reparaciones efectuadas por personas que no sean el personal autorizado del fabricante sin la aprobación por escrito del fabricante, invalidarán la presente garantía.

Esta garantía es en lugar de toda otra garantía o condición, ya sea expresa o implícita, incluyendo pero no limitado a aquellas de comerciabilidad o aptitud para el propósito, y constituirá el único recurso del comprador y la única responsabilidad del fabricante con respecto a la venta del producto, ya sea en la naturaleza de incumplimiento o incumplimiento del término fundamental, o de negligencia u otro.

El fabricante no será responsable por ningún daño especial, indirecto o emergente, ni por ningún daño que sea consecuencia de la remoción o reemplazo de un Convector Proporcional Lineal sujeto a reclamos de garantía sin la autorización del fabricante.

Esta garantía es transferible por el comprador consumidor original del producto. Todo reclamo bajo esta garantía se debe presentar por escrito al Gerente de Servicio, Dimplex North America Ltd., 1367 Industrial Rd., Cambridge, Ontario N1R 7G8, Canadá.

 Dimplex®

1367 Industrial Road • Cambridge ON Canada N1R 7G8

1-888-346-7539 • www.dimplex.com

In keeping with our policy of continuous product improvement, we reserve the right to make changes without notice.

Conformément à notre politique visant à améliorer sans cesse nos produits, nous nous réservons le droit d'effectuer des modifications sans préavis.

De acuerdo con nuestra política de continua mejora del producto, nos reservamos el derecho a realizar cambios sin previo aviso.

© 2012 Dimplex North America Limited

