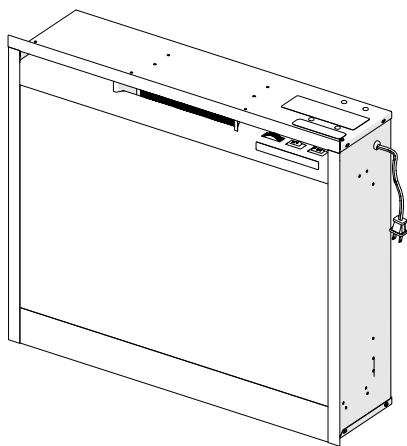




Better solutions through innovation

"Click" on the replacement part number to  
view price and availability.  
[www.moreelectricheating.com](http://www.moreelectricheating.com)



## Owner's Manual

Model  
DF2600L  
6908930359

---








**IMPORTANT SAFETY INFORMATION:** Always read this manual first before attempting to install or use this fireplace. For your safety, always comply with all warnings and safety instructions contained in this manual to prevent personal injury or property damage.

To view the full line of Dimplex products, please visit  
[www.dimplex.com](http://www.dimplex.com)

7212630100R02



## Table of Contents

	Welcome & Congratulations . . . . .	3
	IMPORTANT INSTRUCTIONS . . . . .	4
	Fireplace Installation . . . . .	7
	Operation . . . . .	9
	Maintenance . . . . .	11
	Warranty . . . . .	12
	Replacement Parts . . . . .	14

Always use a qualified technician or service agency to repair this stove.

**! NOTE:** Procedures and techniques that are considered important enough to emphasize.

**⚠ CAUTION:** Procedures and techniques which, if not carefully followed, will result in damage to the equipment.

**⚠ WARNING:** Procedures and techniques which, if not carefully followed, will expose the user to the risk of fire, serious injury, or death.

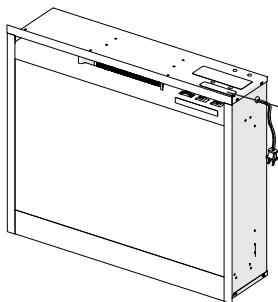
## Welcome & Congratulations

Thank you and congratulations for choosing to purchase an electric fireplace from Dimplex, the world leader in electric fireplaces.

**Please carefully read and save these instructions.**

**⚠ CAUTION:** Read all instructions and warnings carefully before starting installation. Failure to follow these instructions may result in a possible electric shock, fire hazard and will void the warranty.

Please record your model and serial numbers below for future reference: model and serial numbers can be found on the Model and Serial Number Label.



MODEL	<input type="text"/>	MOD.	<input type="text"/>
MODÈLE / MODELO	<input type="text"/>		
SERIAL No.	<input type="text"/>	<input type="text"/>	<input type="text"/>
NUMERO DE SERIE / NUMERO DE SERIE	<input type="text"/>	<input type="text"/>	<input type="text"/>



**NO NEED TO RETURN TO THE STORE**

Questions with operation or assembly? Require Parts Information?  
Product Under Manufacturer's Warranty?

Contact us at:



[www.dimplex.com/customer\\_support](http://www.dimplex.com/customer_support)

For Troubleshooting and Technical Support

OR



**Toll-Free 1-888-346-7539**

Monday to Friday 8:00 a.m. to 4:30 p.m. EST  
Please have your model number and product serial number ready. (See above)



# IMPORTANT INSTRUCTIONS

When using electrical appliances, basic precautions should always be followed to reduce the risk of fire, electric shock, and injury to persons, including the following:

- ① Read all instructions before using this heater.
- ② This heater is hot when in use. To avoid burns, do not let bare skin touch hot surfaces. The trim around the heater outlet becomes hot during heater operation.

**⚠ WARNING:** High temperatures may be generated under certain abnormal conditions. Do not partially or fully cover or obstruct the front of this heater.

- ③ Extreme caution is necessary when any heater is used by or near children or invalids and whenever the unit is left operating and unattended.
- ④ Always unplug the heater when not in use.
- ⑤ Do not operate any heater with a damaged cord or plug, or if the heater has malfunctioned, or if it has been dropped or damaged in any manner. Return heater to authorized service facility for examination, electrical or

mechanical adjustment, or repair.

- ⑥ Do not use outdoors.
- ⑦ This heater is not intended for use in bathrooms, laundry areas and similar indoor locations. Never locate this heater where it may fall into a bathtub or other water container.
- ⑧ Do not run cord under carpeting. Do not cover cord with throw rugs, runners, or the like. Arrange cord away from traffic area and where it will not be tripped over.
- ⑨ To disconnect heater, turn controls to off, then remove plug from outlet.
- ⑩ Do not insert or allow foreign objects to enter any ventilation or exhaust opening as this may cause an electric shock or fire, or damage the heater.
- ⑪ To prevent a possible fire, do not block air intakes or exhaust in any manner. Do not use on soft surfaces, like a bed, where openings may become blocked.
- ⑫ All electrical heaters have hot and arcing or sparking parts inside. Do not use in areas where gasoline, paint, or flammable



## IMPORTANT INSTRUCTIONS

liquids are used or stored or where it will be exposed to flammable vapors.

⑬ Do not modify the heater. Use it only as described in this manual. Any other use not recommended by the manufacturer may cause fire, electric shock, or injury to persons.

⑭ To reduce the risk of electric shock, this heater has a polarized plug (one blade is wider than the other). This plug will fit in a polarized outlet only one way. If the plug does not fit fully in the outlet, reverse the plug. If it still does not fit, contact a qualified electrician to install the proper outlet. Do not change the plug in any way. Always plug heaters directly into a wall outlet/receptacle. Never use with an extension cord or relocatable power tap (outlet/power strip).

⑮ Do not burn wood or other materials in the Compact Fireplace.

⑯ Do not strike the front glass.

⑰ Always use a certified electrician should new circuits or outlets be required.

⑱ Always use properly grounded, fused and polarized outlets.

⑲ Disconnect all power supply before performing any cleaning, maintenance or relocation of the heater.

⑳ When transporting or storing the heater and cord, keep in a dry place, free from excessive vibration and store so as to avoid damage.



**CAUTION**  
RISK OF ELECTRIC SHOCK  
DO NOT OPEN  
NO USER-SERVICEABLE PARTS INSIDE



## SAVE THESE INSTRUCTIONS



## IMPORTANT INSTRUCTIONS

**⚠ WARNING:** Remote control contains small batteries. Keep away from children. If swallowed, seek medical attention immediately.

**⚠ WARNING:** Do not install battery backwards, charge, put in fire or mix with used or other battery types - may explode or leak causing injury.

**! NOTE:** Changes or modifications not expressly approved by the party responsible for compliance could void user's authority to operate the equipment.

**! NOTE:** This equipment has been tested and found to comply with the limits for Class B digital device, pursuant to part 15 of the FCC Rules. These limits are designed to provide reasonable protection against harmful interference in a residential installation. This equipment generates, uses and can radiate radio frequency energy and, if not installed and used in accordance with the instructions, may cause harmful interference to radio or television reception, which can be determined by turning the equipment off and on, the user is encouraged to try to correct the interference by one or more of the following measures:

- Reorient or relocate the receiving antenna.
- Increase the separation between the equipment and the receiver.
- Connect the equipment into an outlet on a circuit different from that to which the receiver is connected.
- Consult the dealer or an experienced radio/TV technician for help.

Operation is subject to the following two conditions: (1) this device may not cause interference and; (2) this device must accept any interference, including interference that may cause undesired operation of the device.



# Fireplace Installation

## Fireplace Installation

**! NOTE:** A 15 Amp, 120 Volt alternating current (VAC) circuit is required. A dedicated circuit is preferred but not essential in all cases. A dedicated circuit will be required if, after installation, the circuit breaker trips or fuse blows on a regular basis when the heater is operating. Additional appliances on the same circuit may exceed the current rating of the circuit breaker.

**⚠ WARNING:** Ensure the power cord is not installed so that it is pinched or against a sharp edge and ensure that the power cord is stored or secured to avoid tripping or snagging to reduce the risk of fire, electric shock or injury to persons.

Construction and electrical outlet wiring must comply with local building codes and other applicable regulations to reduce the risk of fire, electric shock and injury to persons. Do not attempt to wire your own new outlets or circuits. To reduce the risk of fire, electric shock or injury to persons, always use a licensed electrician.

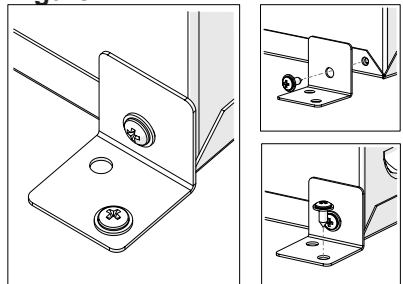
1. Make sure the units 3-Position switch is switched OFF (refer to operating instruction section).
2. Plug the unit into a 15 Amp/120 VAC outlet.

## Mantel Installation

For use with a new or existing mantel. Depending on the available space within the mantel cavity, the unit can be secured to the mantel at the bottom side or back. Remove the screw on the bottom flange in the most appropriate place for securing and using the provided L-bracket and the screw that was removed attach the fire-box to the mantel. (Figure 1)

**! NOTE:** There are no guide holes provided for the L-Brackets in the mantel.

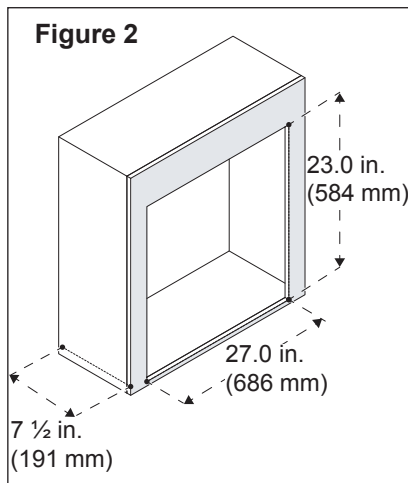
**Figure 1**



## Fireplace Installation

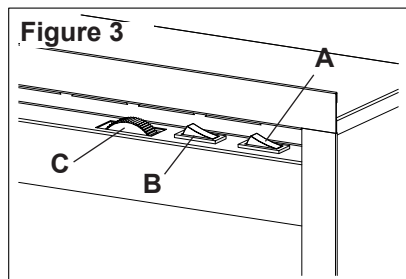
If not installing the unit into a Dimplex mantel the required opening dimensions for the fireplace are: 27.0 in. (686 mm) wide x 23.0 in. (584 mm) high x 7 ½ in. (191 mm) deep (Figure 2).

The firebox is to be installed from the front of the mantel and inserted so that the flanges are flush against the front surface of the mantel.





## Operation



The controls are located on the upper right of the fireplace. (Figure 3)

### **A. 3-Position Switch**

The switch has two ON positions marked with "I" and "II". The "I" position is for manual operation. In this position the built-in remote control is bypassed.

The "II" position is for operating the unit with the provided remote control.

When in the "II" position the unit is operated with the ON and OFF buttons of the remote control. When the switch is in the center position the unit is off.

### **B. Heater ON/OFF Switch**

The Heater ON/OFF Switch supplies power to the heater fan and the heater element. When the switch is in the ON

position the heater operates if the thermostat calls for heat.

**! NOTE:** The fan will continue running even when the heater is not, when the Heater Switch is in the ON position.

### **C. Heater Thermostat Control**

To adjust the temperature to your individual requirements, turn the thermostat control clockwise all the way to turn on the heater. When the room reaches the desired temperature, turn the thermostat knob counter clockwise until you hear a click. Leave in this position to maintain the room temperature at this setting. For additional heat, turn clockwise until you hear the click again and the heater will turn on.

### **Resetting The Temperature Cutoff Switch**

Should the heater overheat, an automatic cut out will turn the heater off and it will not come back on without being reset. It can be reset by switching the 3-Position Switch to OFF and waiting 5 minutes before switching the unit back on.

**⚠ CAUTION:** If you need to

## Operation

continuously reset the heater, unplug the unit and call technical support at 1-888-346-7539.

**! NOTE:** The heater may emit a slight, harmless odor when first used. This odor is a normal condition caused by initial heating of internal heater parts and will not occur again.

### Remote Operation

The fireplace is supplied with an integrated On/Off remote control.

**! NOTE:** Ensure that the fireplace 3 position switch is set to the remote control setting, "II".

To operate, push the ON button to turn fireplace on, push the OFF button to turn the fireplace off.

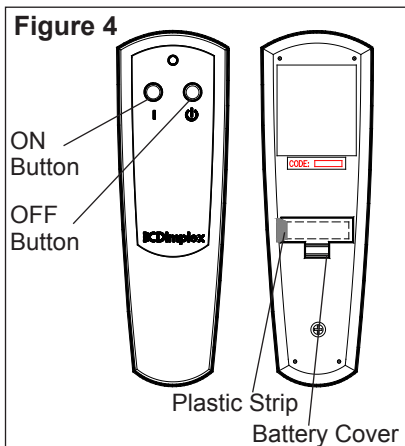
**! NOTE:** Before attempting any operation with the remote control, pull the plastic insulator strip out from between the remote casing and battery cover (Figure 4).

### Remote Control Initialization/Reprogram

In the event that your remote control ceases to operate your fireplace, follow these steps to reinitialize the remote control and the remote control receiver in the fireplace:

1. Place the 3-Position Switch (Figure 3A) in the OFF ("O") position.
2. Wait a minimum of 5 seconds and then place the 3-Position Switch in the Remote Control position.
3. Within 10 seconds of changing the switch position, press the ON button located on the remote control (Figure 4). This will synchronize the remote control and the fireplace receiver.

**! NOTE:** You will have only 10 seconds to perform this last step. Failure to do so will result in these steps needing to be followed again.



## Operation

### Battery Replacement

To replace the battery:

1. Slide battery cover open on the remote control (Figure 4).
2. Correctly install one 12 Volt (A23) battery in the battery holder.
3. Close the battery cover.



Battery must be recycled or disposed of properly. Check with your Local Authority or Retailer for recycling advice in your area



## Maintenance

**⚠ WARNING:** Disconnect power before attempting any maintenance or cleaning to reduce the risk of fire, electric shock or damage to persons.

### Glass Cleaning

The glass is cleaned in the factory during the assembly operation. During shipment, installation, handling, etc., the front glass panel may collect dust particles; these can be removed by dusting lightly with a clean dry cloth.

To remove fingerprints or other marks, the front glass panel can be cleaned with a damp cloth. The front glass panel should be completely dried with a lint free

cloth to prevent water spots. To prevent scratching, do not use abrasive cleaners or spray liquids on the clear door surface.

### Compact Fireplace Surface Cleaning

Use warm water only to clean painted surfaces of the Compact Fireplace. Do not use abrasive cleaners.

### Servicing

Except for light bulb replacement and cleaning described above, an authorized service representative should perform any other servicing.



## Warranty

### One Year Limited Warranty

*Products to which this limited warranty applies*

This limited warranty applies to your newly purchased Dimplex electric compact fireplace. This limited warranty applies only to purchases made in any province of Canada *except* for Yukon Territory, Nunavut, or Northwest Territories or in any of the 50 States of the USA (and the District of Columbia) *except* for Hawaii and Alaska. This limited warranty applies to the original purchaser of the product only and is not transferable.

*Products excluded from this limited warranty*

Light bulbs are not covered by this limited warranty and are the sole responsibility of the owner/purchaser. Products purchased in Yukon Territory, Nunavut, Northwest Territories, Hawaii, or Alaska are not covered by this limited warranty. Products purchased in these States, provinces, or territories are sold AS IS without warranty or condition of any kind (including, without limitation, any implied warranties or conditions of merchantability or fitness for a particular purpose) and the entire risk of as to the quality and performance of the products is with the purchaser, and in the event of a defect the purchaser assumes the entire cost of all necessary servicing or repair.

*What this limited warranty covers and for how long*

Products covered by this limited warranty have been tested and inspected prior to shipment and, subject to the provisions

of this warranty, Dimplex warrants such products to be free from defects in material and workmanship for a period of 12 months from the date of the first purchase of such product.

The limited 12 month warranty period also applies to any implied warranties that may exist under applicable law. Some jurisdictions do not allow limitations on how long an implied warranty lasts, so the above limitation may not apply to the purchaser.

*What this limited warranty does not cover*

This limited warranty does not apply to products that have been repaired (except by Dimplex or its authorized service representatives) or otherwise altered. This limited warranty does further not apply to defects resulting from misuse, abuse, accident, neglect, incorrect installation, improper maintenance or handling, or operation with an incorrect power source.

*What you must do to get service under this limited warranty*

Defects must be brought to the attention of Dimplex Technical Service by contacting Dimplex at 1-888-346-7539, or 1367 Industrial Road, Cambridge Ontario, Canada N1R 7G8. Please have proof of purchase, catalogue/model and serial numbers available when calling. Limited warranty service requires a proof of purchase of the product.

*What Dimplex will do in the event of a defect*

In the event a product or part covered by this limited warranty is proven to be defective in material or workmanship during the 12 month limited warranty period you have the following rights:



## Warranty

- Dimplex will in its sole discretion either repair or replace such defective product or part without charge. If Dimplex is unable to repair or replace such product or part, or if repair or replacement is not commercially practicable or cannot be timely made, Dimplex may, in lieu of repair or replacement, choose to refund the purchase price for such product or part.
- Limited warranty service will be performed solely by dealers or service agents of Dimplex authorized to provide limited warranty services.
- The purchaser is responsible for removal and transportation of such product or part (and any repaired or replacement product or part) to and from the authorized dealer's or service agent's place of business.
- This limited warranty does not entitle the purchaser to on-site or in-home services. On-site or in-home services may be performed at the purchaser's specific request and expense at Dimplex's then-current rates for such services.
- Dimplex will not be responsible for, and the limited warranty services shall not include, any expense incurred for installation or removal of the product or part (or any replacement product or part) or any labour or transportation costs. Such costs shall be the purchaser's responsibility.

*What Dimplex and its dealers and service agents are also not responsible for:*

IN NO EVENT WILL DIMPLEX, OR ITS

DIRECTORS, OFFICERS, OR AGENTS, BE LIABLE [TO THE PURCHASER OR ANY THIRD PARTY](#), WHETHER IN CONTRACT, IN TORT, OR ON ANY OTHER BASIS, FOR ANY INDIRECT, SPECIAL, PUNITIVE, EXEMPLARY, CONSEQUENTIAL, OR INCIDENTAL LOSS, COST, OR DAMAGE ARISING OUT OF OR IN CONNECTION WITH THE SALE, MAINTENANCE, USE, OR INABILITY TO USE THE PRODUCT, EVEN IF DIMPLEX OR ITS DIRECTORS, OFFICERS, OR AGENTS HAVE BEEN ADVISED OF THE POSSIBILITY OF SUCH LOSSES, COSTS OR DAMAGES, OR IF SUCH LOSSES, COSTS, OR DAMAGES ARE FORESEEABLE. IN NO EVENT WILL DIMPLEX, OR ITS OFFICERS, DIRECTORS, OR AGENTS BE LIABLE FOR ANY DIRECT LOSSES, COSTS, OR DAMAGES THAT EXCEED THE PURCHASE PRICE OF THE PRODUCT.

SOME JURISDICTIONS DO NOT ALLOW THE EXCLUSION OR LIMITATION OF INCIDENTAL OR CONSEQUENTIAL DAMAGES, SO THE ABOVE LIMITATION OR EXCLUSION MAY NOT APPLY TO THE PURCHASER.

### *How State and Provincial law apply*

This limited warranty gives you specific legal rights, and you may also have other rights which vary from jurisdiction to jurisdiction. The provisions of the United Nations Convention on Contracts for the Sale of Goods shall not apply to this limited warranty or the sale of products covered by this limited warranty.



## Replacement Parts

Log Set Assembly . . . . .	0439560300RP
Flicker Motor . . . . .	2000220100RP
Heater Assembly (with Cutout) . . . . .	2203610100RP
Thermostat with Knob . . . . .	2600090100RP
3 Position Switch . . . . .	2800071100RP
Heater On/Off Switch. . . . .	2800070700RP
Cord Set . . . . .	4100090203RP
Flicker Rod . . . . .	5902620100RP
Partially Reflective Panel. . . . .	5902580300RP
Front Glass . . . . .	5902570200RP
Remote Control . . . . .	3000370500RP
Remote Control Receiver. . . . .	3000380200RP
LED Driver Board . . . . .	3001170100RP
LED Light Assembly (2 LED's) . . . . .	3001180100RP
Felt Feet Pads (set of 4) . . . . .	8600140101RP

"Click" on the replacement part number to view price and availability.  
[www.morelectriceheating.com](http://www.morelectriceheating.com)



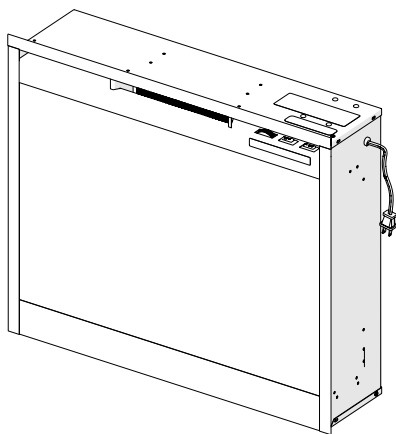
**Dimplex North America Limited**  
 1367 Industrial Road  
 Cambridge ON  
 Canada N1R 7G8

© 2013 Dimplex North America Limited



Les meilleures solutions par l'innovation

## Manuel du propriétaire



### Modèle

DF2600L

6908930359

---








**CONSIGNES DE SÉCURITÉ IMPORTANTES** : Toujours lire le présent manuel avant d'essayer d'installer ou d'utiliser ce foyer. Pour votre sécurité, toujours respecter tous les avertissements et suivre les consignes de sécurité compris dans le présent manuel afin de prévenir les blessures ou les dommages matériels.

Pour découvrir la gamme complète de produits Dimplex, visitez [www.dimplex.com](http://www.dimplex.com)

7212630100R02



## Table des matières

 Bienvenue et félicitations. . . . .	3
 INSTRUCTIONS IMPORTANTES . . . . .	4
 Installation du Foyer Électrique . . . . .	7
 Utilisation . . . . .	8
 Entretien . . . . .	11
 Garantie. . . . .	11
 Pièces de rechange. . . . .	14

Toujours recourir aux services d'un technicien dûment qualifié ou d'une entreprise de services de maintenance pour réparer ce foyer.

**! NOTA :** Marches à suivre et techniques considérées suffisamment importantes pour qu'on les souligne.

**⚠ MISE EN GARDE :** Marches à suivre et techniques qui, si elles ne sont pas bien respectées, se traduiront par des dommages causés à l'appareil.

**⚠ AVERTISSEMENT :** Marches à suivre et techniques qui, si elles ne sont pas bien respectées, exposeront l'utilisateur à des risques d'incendie, de blessure grave ou de décès.





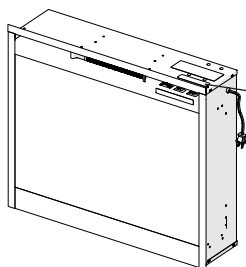
## Bienvenue et félicitations

Merci et félicitations d'avoir acheté un foyer électrique de Dimplex, le chef de file mondial en matière de chauffage électrique.

### Lire ces consignes attentivement et les conserver.

**⚠ MISE EN GARDE :** Lire attentivement toutes les consignes et tous les avertissements avant de procéder à l'installation. Le non-respect de ces consignes pourrait entraîner un risque de choc électrique ou d'incendie et annuler la garantie.

Prendre en note le numéro de modèle et le numéro de série de l'appareil en vue d'une consultation ultérieure; les numéros de modèle et de série se trouvent sur l'étiquette du numéro de modèle et du numéro de série du foyer.



MODEL		MOD.	
MODÈLE / MODELO			
SERIAL No.			
NUMERO DE SERIE / NUMERO DE SERIE			

**ARRÊT**

### IL N'EST PAS NÉCESSAIRE D'ALLER AU MAGASIN

Des questions à propos de l'assemblage? Besoin d'information sur des pièces détachées? Besoin d'information à propos d'un produit sous une garantie du fabricant?

Contactez-nous au:



[www.dimplex.com/customer\\_support](http://www.dimplex.com/customer_support)

Pour le support Dépannage et assistance technique

OU



**Veuillez téléphoner au numéro sans frais**

**1-888-DIMPLEX (1 888 346-7539)**


**Du lundi au vendredi de 8 h à 16 h 30 (HNE)**

Veuillez avoir à portée de main les numéros de modèle et de série de votre appareil. (Voir ci-dessous)

# INSTRUCTIONS IMPORTANTES

Lorsqu'un appareil électrique est utilisé, il est important de toujours prendre des précautions de base pour réduire les risques d'incendie, de chocs électriques et de blessures, notamment:

- ① Lire toutes les instructions avant d'utiliser cet appareil.
- ② Le chauffant devient chaud lorsqu'il est en marche. Pour éviter les brûlures, ne pas toucher les surfaces chaudes. La bordure autour de la bouche de chaleur devient chaude lorsque le radiateur fonctionne.

 **AVERTISSEMENT** : Des températures élevées peuvent être générés sous certaines conditions anormales. Ne pas partiellement ou totalement couvrir ou obstruer l'avant de cet appareil.

③ Faire preuve d'une grande prudence lorsque l'appareil est utilisé par des enfants ou des personnes handicapées, s'il est en marche à proximité d'eux, ou s'il est en marche et laissé sans surveillance.

④ Toujours débrancher le foyer lorsqu'il n'est pas utilisé.

⑤ Ne pas se servir de l'appareil si la fiche ou le cordon sont endommagés, si les éléments chauffants fonctionnent mal ou si le foyer électrique est tombé ou est endommagé de quelque manière que ce soit. Contactez le service technique au 1-888-346-7539.

⑥ Ne pas utiliser à l'extérieur.

⑦ Ce foyer n'est pas conçu pour être utilisé dans une salle de bain, une salle de lavage ou autres endroits semblables à l'intérieur. Ne jamais installer le foyer à un endroit où il est susceptible de tomber dans une baignoire ou dans tout autre réservoir d'eau.

⑧ Éviter de passer le cordon sous un tapis. Ne pas couvrir le cordon de carpettes, de tapis de couloir ou autres. Éloigner le cordon des endroits passants et de tout endroit où une personne pourrait tomber en s'accrochant dans le fil.

⑨ Pour débrancher le foyer, éteindre l'appareil avant de retirer la fiche de la prise de courant.

⑩ Ne pas introduire ou permettre l'introduction de corps étrangers dans la prise d'air de ventilation ou la bouche de sortie d'air, car cela peut occasionner des chocs électriques, provoquer un incendie ou endommager le foyer.

⑪ Pour éviter un incendie, ne pas obstruer les entrées ou la sortie d'air d'aucune façon. Ne pas utiliser l'appareil sur des surfaces instables, comme un lit, où les ouvertures risquent de se bloquer.

⑫ Tous les appareils chauffants électriques contiennent des pièces qui chauffent et qui peuvent produire un arc électrique ou des étincelles. Ne pas faire fonctionner le foyer dans

# INSTRUCTIONS IMPORTANTES

des endroits où de l'essence, de la peinture et autres produits inflammables sont utilisés ou rangés, ou s'il y a exposition à des vapeurs inflammables.

⑬ Ne pas apporter de modifications au foyer. Se servir du foyer uniquement de la façon décrite dans le présent guide. Toute autre utilisation non recommandée par le fabricant peut causer un incendie, des chocs électriques ou des blessures.

⑭ Afin de réduire les risques de choc électrique, ce foyer est muni d'une fiche polarisée (une des broches est plus large que l'autre). Cette fiche se branche dans une prise polarisée, et ce, dans un sens seulement. S'il est impossible d'enfoncer complètement la fiche dans la prise, il faut l'inverser. S'il est toujours impossible de l'enfoncer complètement, communiquer avec un électricien qualifié pour faire installer une prise adéquate. Ne modifier la fiche d'aucune façon. Toujours brancher les appareils directement dans une prise de courant murale. Ne jamais utiliser de rallonge ou de barre d'alimentation portative.

⑮ Ne pas brûler de bois ni d'autres matériaux dans ce foyer électrique.

⑯ Ne pas heurter la vitre frontale du foyer.

⑰ Toujours faire appel à un électricien certifié pour l'installation de nouveaux circuits ou de nouvelles prises de courant.

⑱ Toujours utiliser des prises correctement mises à la terre, polarisées et protégées par un fusible ou un disjoncteur.

⑲ Fermer toute source d'alimentation électrique du foyer avant de le nettoyer, de le réparer ou de le déplacer.

⑳ Pendant le transport ou l'entreposage du foyer et de son cordon, les conserver dans un endroit sec et à l'abri de vibrations excessives, et les ranger de façon à éviter qu'ils ne s'endommagent.



**MISE EN GARDE**  
RISQUE DE CHOC ÉLECTRIQUE - NE PAS OUVRIR  
AUCUNE PIÈCE DONT L'ENTRETIEN PEUT ÊTRE EFFECTUÉ  
PAR L'UTILISATEUR NE SE TROUVE À L'INTÉRIEUR



## CONSERVER CES INSTRUCTIONS

# INSTRUCTIONS IMPORTANTES

**⚠ AVERTISSEMENT** : La télécommande contient de petites piles. Tenez-les hors de la portée des enfants. En cas d'ingestion, consultez un médecin immédiatement.

**⚠ AVERTISSEMENT** : N'installez pas les piles à l'envers, ne les rechargez pas ne les jetez pas au feu et ne les combinez pas à des piles usagées ou d'un autre type; elles risqueraient d'exploser ou de fuir et de causer des blessures.

**! NOTA** : Les modifications non autorisées expressément par la partie responsable de la conformité peuvent annuler le droit de l'utilisateur de se servir de cet appareil.

**! NOTA** : Cet appareil a été testé et jugé conforme aux limites autorisées pour un dispositif numérique de classe B, en vertu de la partie 15 des règlements de la FCC. Ces limites visent à offrir une protection raisonnable contre les interférences nuisibles dans une installation résidentielle. Ce produit génère, utilise et peut émettre de l'énergie radioélectrique. S'il n'est pas installé et utilisé selon les instructions, il peut causer des interférences nuisibles à la réception des signaux de radio ou de télévision, ce qui peut être vérifié en mettant le commutateur de l'appareil en position de marche puis d'arrêt. Nous recommandons à l'utilisateur de tenter d'éliminer les interférences à l'aide d'une ou de

plusieurs des mesures suivantes :

- Changer l'orientation ou l'emplacement de l'antenne réceptrice.
- Augmenter la distance entre l'appareil et le récepteur.
- Brancher l'appareil dans une prise ou sur un circuit autre que celui où le récepteur est branché.
- Consulter le détaillant ou un technicien radio/télévision expérimenté pour obtenir de l'aide.

L'utilisation de l'appareil est assujettie aux deux conditions suivantes : (1) L'appareil ne doit pas causer d'interférences et; (2) L'appareil doit accepter toute interférence captée, y compris les interférences susceptibles de causer un fonctionnement indésirable de l'appareil.



# Installation du Foyer Électrique

## Installation du foyer

**! NOTA :** Un circuit de 15 ampères et de 120 volts en courant alternatif (c.a.) est requis. Un circuit spécifique est préférable, mais pas toujours essentiel. Un circuit spécifique sera nécessaire si, après l'installation, le disjoncteur se déclenche ou si le fusible saute régulièrement lorsque le foyer est utilisé. L'ajout d'appareils sur le même circuit que le foyer peut dépasser le courant nominal du disjoncteur.

**⚠ AVERTISSEMENT :** Veiller à ce que le cordon d'alimentation ne soit ni coincé ni disposé contre un bord tranchant, mais rangé ou placé de façon à éviter tout risque d'accrochage susceptible de causer un incendie, des chocs électriques ou des blessures.

Afin de réduire les risques d'incendie, de chocs électriques et de blessures, tous les travaux de construction et de câblage électrique doivent être conformes au Code du bâtiment et aux autres règlements qui s'appliquent.

Ne pas tenter d'installer soi-même des prises ou des circuits. Pour éviter les risques d'incendie, de chocs électriques ou de blessures, toujours faire appel à un électricien diplômé.

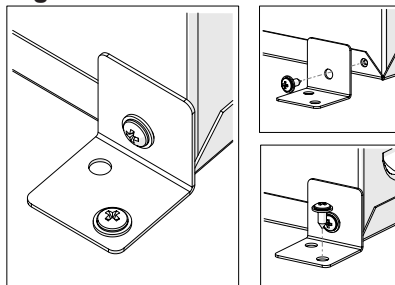
1. Veiller à ce que l'interrupteur a trois positions de l'appareil soit en position ARRÊT ("O") (voir la section Utilisation).
2. Brancher l'appareil dans une prise de 15 ampères, 120 volts.

## Installation du manteau

Pour une utilisation avec le manteau actuel ou un nouveau manteau. Selon l'espace disponible à l'intérieur de la cavité du manteau, l'appareil peut être fixé au manteau dans le bas ou à l'arrière. Retirer la vis sur le bord inférieur de l'endroit le plus approprié pour la fixation, et au moyen du support en « L » fourni et de la vis qui a été retirée, fixer le foyer au manteau. (Figure 1)

**! NOTA:** Aucun avant-trou n'est fourni pour les supports en « L » dans le manteau.

Figure 1

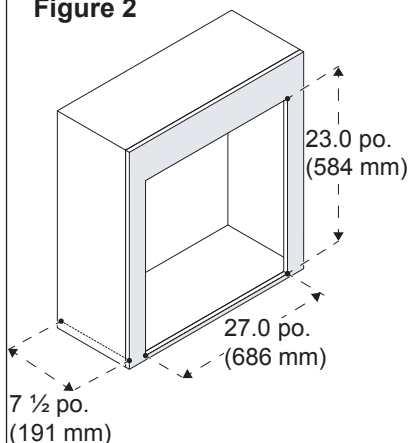


## Installation du Foyer Électrique

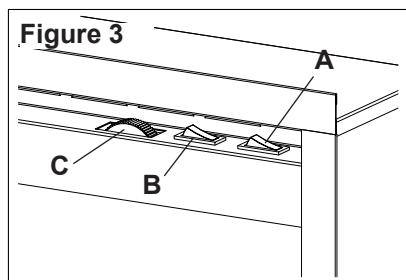
Si vous n'installez pas l'appareil dans un manteau Dimplex, les dimensions de l'ouverture de le foyer requis sont les suivants: 27.0 po. (686 mm) de largeur x 23.0 po. (584 mm) de haut x 7 ½ po. (191 mm) de profond (Figure 2).

Le foyer doit être installé à l'avant de le manteau et inséré de sorte que les brides sont à plat contre la surface avant de le manteau.

Figure 2



## Utilisation



Les commandes sont situées sur la partie supérieure droite de le foyer. (Figure 3)

### A. Interrupteur a trois positions

L'interrupteur est muni de deux positions marche, indiquées par «I» et «II». La position «I» sert à l'utilisation manuelle. Dans cette position, la télécommande ne fonctionne pas.

La position sert «II» à utiliser l'appareil à l'aide de la télécommande fournie.

Quand l'appareil est en position «II», il fonctionne au moyen des boutons « MARCHÉ » et « ARRÊT » de la télécommande. Quand l'interrupteur est au centre, l'appareil est éteint.

## Utilisation

### B. Interrupteur du chauffage

L'interrupteur du chauffage alimente le ventilateur du radiateur et l'élément chauffant. La position « MARCHE » permet d'activer le chauffage si le thermostat le demande.

**! NOTE:** Le ventilateur continue de fonctionner même lorsque le chauffage n'est pas, lorsque l'interrupteur de chauffage est en position marche.

### C. Commande du thermostat

Pour régler la température en fonction de vos besoins, tourner le bouton du thermostat jusqu'au bout dans le sens horaire pour mettre en marche l'élément chauffant. Lorsque la température désirée est atteinte dans la pièce, tourner le bouton du thermostat dans le sens antihoraire jusqu'à ce qu'un déclic se fasse entendre. Garder cette position pour maintenir la température au réglage désiré. Pour augmenter la chaleur, tourner le bouton dans le sens horaire jusqu'à ce que le déclic se fasse entendre de nouveau. L'élément chauffant se mettra en marche.

### Réarmement du disjoncteur du circuit de la température

En cas de surchauffe, un interrupteur éteindra automatiquement l'appareil, qui ne pourra être remis en marche tant que le disjoncteur n'aura pas été réenclenché. Le réenclenchement de

l'appareil s'effectue en mettant l'interrupteur à trois positions en position « ARRÊT » et en attendant 5 minutes avant de le remettre en position « MARCHE ».

**⚠ MISE EN GARDE :** S'il est nécessaire de réarmer constamment l'appareil, le débrancher et communiquer avec le Service à la clientèle au 1 888 346-7539.

**! NOTA :** Les éléments chauffants peuvent dégager une légère odeur inoffensive pendant la première utilisation, car ils chauffent pour la première fois. Cette situation est normale et ne devrait plus se produire par la suite.

### Utilisation de la télécommande

Le foyer est muni d'une télécommande intégrée.

**! NOTA :** S'assurer que l'interrupteur à trois positions est en mode télécommande ("II").

Pour activer le foyer, appuyer sur le bouton « MARCHE »; pour le désactiver, appuyer sur le bouton « ARRÊT ».

**! NOTA :** Avant d'effectuer toute opération avec la télécommande, retirez la bande isolante en plastique à partir entre le boîtier de la télécommande et le couvercle de la batterie.

### Initialisation à télécommande

Si la télécommande ne permet plus de faire fonctionner votre foyer, veuillez suivre les étapes suivantes pour réinitialiser la télécommande et le récepteur de la télécommande à l'intérieur du foyer :

1. Placer Interrupteur a trois positions (Figure 3A) à la position éteint ("O").
2. Attendre au moins 5 secondes, puis placer Interrupteur a trois positions à la position télécommande ("II").
3. **Moins de 10 secondes** après avoir effectué ce changement, appuyer sur la touche "I" située sur le télécommande (Figure 4). Le télécommande et le récepteur du foyer seront ainsi synchronisés.

**! NOTA :** Cette dernière étape doit être effectuée en moins de 10 secondes. Dans le cas contraire, toutes ces étapes devront être effectuées de nouveau.

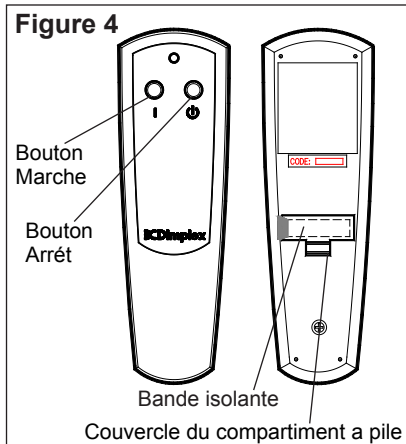
### Remplacement de la pile

Pour remplacer la pile :

1. Ouvrir le compartiment à pile situé sur la télécommande (Figure 4).
2. Installer correctement une pile de 12 volts (A23) dans le compartiment à pile.
3. Refermer le couvercle du compartiment.



La batterie doit être recyclés ou éliminés de façon appropriée. Vérifiez auprès de votre municipalité ou votre revendeur pour obtenir des conseils dans votre région.







## Entretien

**⚠ AVERTISSEMENT** : Débrancher le foyer avant d'en effectuer l'entretien ou le nettoyage afin de réduire les risques d'incendie, de chocs électriques ou de blessures.

### Nettoyage de la vitre

La porte vitrée a été nettoyée à l'usine, lors de l'assemblage. Cependant, pendant le transport, l'installation, la manipulation, etc., la porte vitrée peut se couvrir de particules de poussière. Pour les faire disparaître, épousseter la vitre à l'aide d'un chiffon propre et sec.

Pour enlever les empreintes digitales ou autres marques, la porte vitrée peut être nettoyée avec un chiffon humide. Pour prévenir les taches d'eau, les vitres doivent

être entièrement asséchées à l'aide d'un chiffon non pelucheux. Pour prévenir les rayures, ne pas utiliser de nettoyeurs abrasifs et ne pas vaporiser de produits liquides sur la surface de la porte vitrée.

### Nettoyage de la surface du foyer compact

Nettoyer les surfaces peintes du foyer compact avec de l'eau tiède seulement. Ne pas utiliser de nettoyeurs abrasifs.

### Service

Outre le remplacement des ampoules et le nettoyage décrits ci-dessus, tout entretien du foyer compact doit être effectué par un représentant en service autorisé.



## Garantie

### Garantie Limitée d'un an

*Produits visés par cette garantie limitée*

La présente garantie limitée couvre votre nouveau foyer électrique compact Dimplex. Cette garantie limitée ne s'applique qu'aux achats effectués dans l'une des provinces du Canada, à l'exception du Yukon, du Nunavut ou des Territoires du Nord-Ouest, ou effectués dans l'un ou l'autre des 50 États des États-Unis (et du District de Columbia) à l'exception de Hawaï et de l'Alaska. Cette garantie limitée s'applique uniquement à l'acheteur original du produit et ne peut être

transférée.

*Produits non couverts par cette garantie limitée*

Les ampoules ne sont pas couvertes par cette garantie limitée et sont la responsabilité exclusive du propriétaire/ de l'acheteur. Les produits achetés au Yukon, au Nunavut, dans les Territoires du Nord-Ouest, à Hawaï ou en Alaska ne sont pas couverts par cette garantie limitée. Les produits achetés dans ces provinces, États ou territoires sont vendus TELS QUELS sans quelque garantie ou condition que ce soit (y compris, notamment,



## Garantie

Les garanties ou conditions implicites de qualité marchande ou de convenance à un usage particulier), et l'acheteur assume tous les risques quant à la qualité et au rendement des produits. De plus, en cas de défautuosité, l'acheteur devra assumer la totalité des frais de tout entretien ou de toute réparation nécessaire.

### *Couverture et durée de cette garantie limitée*

Les produits couverts par cette garantie limitée ont été testés et inspectés avant leur expédition. Sous réserve des dispositions de la présente garantie, Dimplex garantit lesdits produits contre les vices de matériau et de fabrication pendant une période de 12 mois après la date de l'achat initial desdits produits.

La période de garantie limitée de 12 mois s'applique également à toute garantie implicite pouvant exister en vertu des lois applicables. Mais comme certaines juridictions ne permettent pas que des limites soient appliquées à la durée d'une garantie implicite, il se peut que les limitations ci-dessus ne s'appliquent pas à l'acheteur.

### *Ce que cette garantie limitée ne couvre pas*

Cette garantie limitée ne s'applique pas aux produits qui ont été réparés (sauf par Dimplex ou ses représentants de service autorisés) ou autrement modifiés. Elle ne couvre pas non plus les défautuosités résultant d'un mauvais usage, d'un usage abusif, d'un accident, de négligence, d'une mauvaise installation, d'une manipulation ou d'un entretien inadéquat, ou de l'utilisation avec une source de courant inadéquate.

*Ce que vous devez faire pour vous prévaloir du service dans le cadre de cette*

### *garantie limitée*

Veillez signaler les défautuosités au Service technique de Dimplex en communiquant avec Dimplex au 1 888 346-7539, ou au 1367 Industrial Road, Cambridge, Ontario, Canada N1R 7G8. Au moment d'appeler Dimplex, ayez à portée de la main une preuve d'achat, ainsi que les numéros de catalogue, de modèle et de série du produit défautueux. Vous devez avoir une preuve d'achat du produit pour vous prévaloir du service dans le cadre de la garantie limitée.

### *Ce que Dimplex fera en cas de défautuosité*

S'il s'avère qu'un produit ou qu'une pièce couverte par cette garantie limitée présente effectivement un vice de matériau ou de fabrication pendant la période de garantie limitée de 12 mois, vous aurez alors les droits suivants :

Dimplex pourra, au lieu d'effectuer la réparation ou le remplacement, décider de rembourser le prix d'achat de ladite pièce ou dudit produit. Si Dimplex est incapable de réparer ou de remplacer ladite pièce ou ledit produit, ou si la réparation ou le remplacement n'est pas commercialement possible, ou ne peut être fait rapidement, Dimplex pourra, au lieu d'effectuer la réparation ou le remplacement, décider de rembourser le prix d'achat de ladite pièce ou dudit produit.

- Le service sous garantie limitée sera dispensé uniquement par des dépositaires ou agents de service Dimplex autorisés à dispenser des services sous garantie limitée.
- L'acheteur sera responsable de tous les frais engagés pour le retrait et le transport desdits produits ou pièces (et



## Garantie

de la pièce réparée ou de rechange, ou du produit réparé ou de rechange) aller-retour à la place d'affaires du dépositaire ou de l'agent de service autorisé.

- Cette garantie limitée ne donne pas droit à l'acheteur à des services sous garantie sur place ou à domicile. Des services sur place ou à domicile sont offerts à la demande expresse et aux frais de l'acheteur, au tarif en vigueur que facture Dimplex pour de tels services.
- Dimplex n'est pas responsable de tous frais engagés pour l'installation ou le retrait de ces produits ou de toute pièce de ces produits (ou de tout produit ou de toute pièce de rechange) ou de tous frais liés à la main-d'œuvre ou au transport, et la présente garantie limitée ne les couvre pas non plus. Ces frais sont la responsabilité de l'acheteur.

*Autres exclusions à la responsabilité de Dimplex et de ses dépositaires et agents de service :*

DIMPLEX, SES GESTIONNAIRES, SES ADMINISTRATEURS OU SES AGENTS NE POURRONT EN AUCUN CAS ÊTRE TENUS RESPONSABLES ENVERS L'ACHETEUR OU TOUTE AUTRE TIERCE PARTIE, EN VERTU D'UN CONTRAT, D'UN ACTE DÉLICTEUX OU SUR TOUTE AUTRE BASE, DE COÛTS, DE PERTES OU DE DOMMAGES INDIRECTS, SPÉCIAUX, PUNITIFS, EXEMPLAIRES OU ACCESSOIRES DÉCOULANT DIRECTEMENT OU INDIRECTEMENT DE LA VENTE, DE L'ENTRETIEN, DE L'UTILISATION OU DE L'INCAPACITÉ D'UTILISATION DU PRODUIT, MÊME SI

DIMPLEX, SES GESTIONNAIRES, SES ADMINISTRATEURS OU SES AGENTS ONT ÉTÉ INFORMÉS DE LA POSSIBILITÉ DE TELS COÛTS, PERTES OU DOMMAGES, OU SI LESDITS COÛTS, PERTES OU DOMMAGES SONT PRÉVISIBLES. DIMPLEX, SES GESTIONNAIRES, SES ADMINISTRATEURS OU SES AGENTS NE POURRONT EN AUCUN CAS ÊTRE TENUS RESPONSABLES DE COÛTS, DE PERTES OU DE DOMMAGES DIRECTS QUI DÉPASSENT LE PRIX D'ACHAT DU PRODUIT.

CERTAINES JURIDICTIONS NE PERMETTENT PAS QUE DES EXCLUSIONS OU LIMITATIONS AUX DOMMAGES INDIRECTS OU ACCESSOIRES SOIENT APPLIQUÉES. IL SE POURRAIT DONC QUE LES EXCLUSIONS ET LIMITATIONS CI-DESSUS NE S'APPLIQUENT PAS À L'ACHETEUR.

*Comment les lois provinciales et d'État s'appliquent*

Cette garantie limitée vous confère des droits juridiques précis, et il se peut que vous ayez d'autres droits qui varient d'une juridiction à l'autre. Les dispositions de la Convention des Nations unies sur les contrats de vente de biens ne s'appliquent pas à cette garantie limitée ou à la vente de produits couverts par cette garantie limitée.

## Pièces de rechange

Ensemble de bûches . . . . .	0439560300RP
Moteur de l'effet de flamme . . . . .	2000220100RP
Assemblage du ventilateur (avec thermorupteur) . . . . .	2203610100RP
Thermostat (avec pommeau de commande). . . . .	2600090100RP
Interrupteur a trois positions . . . . .	2800071100RP
Interrupteur Marche/Arrêt du radiateur . . . . .	2800070700RP
Cordon d'alimentation . . . . .	4100090203RP
Tige de l'effet de flamme . . . . .	5902620100RP
Panneau partiellement réfléchissante . . . . .	5902580300RP
Panneau de vitre avant . . . . .	5902570200RP
Télécommande . . . . .	3000370500RP
Récepteur pour la Télécommande . . . . .	3000380200RP
Contrôleur bord à DEL . . . . .	3001170100RP
Ensemble de lumières à DEL (2 DEL). . . . .	3001180100RP
Pied couvrir en feutre (ensemble de quatre). . . . .	8600140101RP

 **Dimplex**<sup>®</sup>

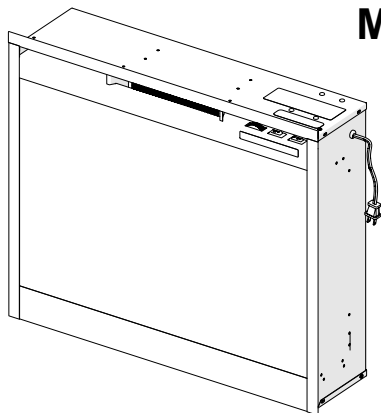


**Dimplex North America Limited**  
1367 Industrial Road  
Cambridge ON  
Canada N1R 7G8

© 2013 Dimplex North America Limited



Mejores soluciones a través de la innovación



## Manual del propietario

Modelo  
DF2600L  
6908930359

---








**INFORMACIÓN DE SEGURIDAD IMPORTANTE:** Lea este manual antes de intentar instalar o usar este calentador de aire. Para su seguridad, tome en cuenta todas las advertencias e instrucciones de seguridad de este manual para evitar lesiones corporales o daños materiales.

Para ver toda la línea de productos Dimplex, visite [www.dimplex.com](http://www.dimplex.com)

7212630100R02



## Índice

	Bienvenido y felicitaciones . . . . .	3
	INSTRUCCIONES IMPORTANTES . . . . .	4
	Instalación de el chimenea. . . . .	7
	Operación. . . . .	8
	Mantenimiento. . . . .	11
	Garantía. . . . .	11
	Piezas de recambio. . . . .	14

Siempre llame a un técnico calificado o use los servicios de una agencia de servicio para reparar este calentador de aire.

**! NOTA:** Procedimientos y técnicas que se considera importante destacar.

**! PRECAUCIÓN:** En caso de no seguir los procedimientos y técnicas cuidadosamente, se dañará el equipo.

**! ADVERTENCIA:** Procedimientos y técnicas que, en caso de no seguirse cuidadosamente, expondrán al usuario a riesgo de incendio, lesión grave o muerte.



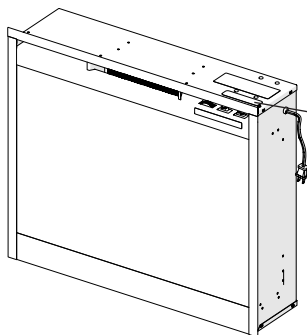
## Bienvenido y felicitaciones

Felicidades y gracias por la compra de una compacta Dimplex chimenea eléctrica, el líder mundial en calefacción eléctrica

**Lea con atención y guarde estas instrucciones.**

**⚠ PRECAUCIÓN:** Lea todas las instrucciones y advertencias con atención antes de comenzar la instalación. En caso de no hacerlo, puede ocurrir una descarga eléctrica o un incendio y se anulará la garantía.

Registre sus números de modelo y de serie a continuación, en caso de que necesite consultarlos después. Los números de modelo y de serie están en la etiqueta con dichos números.



MODEL	<input type="text"/>	MOD.	<input type="text"/>
MODÈLE /MODELO	<input type="text"/>		
SERIAL No.	<input type="text"/>		
NÚMERO DE SERIE /NÚMERO DE SERIE	<input type="text"/>		



**O ES NECESARIO REGRESAR A LA TIENDA**

¿Tiene alguna pregunta sobre el ensamblaje? ¿Necesita información sobre las piezas? ¿El producto está bajo garantía del fabricante?

Contactenos:



**[www.dimplex.com/customer\\_support](http://www.dimplex.com/customer_support)**

Para Solucionar problemas y Soporte tecnico



**Llame sin cargo al 1-888-346-7539**

lunes a viernes, 8:00 a.m. a 4:30 p.m., hora del Este.

*Tenga el número de modelo y el número de serie del producto a la mano. (Vea arriba)*



## INSTRUCCIONES IMPORTANTES

Cuando se usen aparatos eléctricos, deben respetarse una serie de precauciones básicas a fin de aminorar el riesgo de incendio, descarga eléctrica y lesiones personales; entre otras precauciones, las siguientes:

- ① Lea todas las instrucciones antes de usar este calentador de aire.
- ② Esta chimenea está caliente cuando está en uso. Para evitar quemaduras, no toque las superficies calientes directamente con la piel. El adorno alrededor del orificio de salida del calentador está caliente cuando éste funciona.

**⚠ ADVERTENCIA:** Las altas temperaturas se pueden generar en ciertas condiciones anormales. No parcialmente o totalmente cubra ni obstruya la parte frontal de este calentador.

- ③ Hay que extremar la precaución cuando se use cualquier calentador de aire cerca de los niños o inválidos o bien sean ellos quienes lo manejen y siempre que se deje el aparato en funcionamiento y sin vigilancia.
- ④ Desenchufe siempre el calentador de aire cuando no se esté usando.
- ⑤ No haga funcionar ningún aparato con un cable o enchufe dañado, ni si el calentador de aire funciona mal ni si se ha caído o presenta cualquier daño. Contacte con el servicio técnico

de 1-888-346-7539.

- ⑥ No lo use a la intemperie.
- ⑦ El calentador de aire no se ha diseñado para uso en baños, zonas de lavado y recintos similares. No coloque el calentador de aire en aquellos sitios donde pueda caer en una bañera o en cualquier otro recipiente de agua.
- ⑧ No coloque el cable por debajo de las alfombras. No cubra el cable con esteras, alfombrillas o artículos similares. Sitúe el cable alejado de las zonas de paso y en donde no se tropiece.
- ⑨ Para desconectar el calentador de aire, apague los controles y, luego, desenchufe el aparato.
- ⑩ No introduzca ni deje que entren cuerpos extraños en los orificios de ventilación o escape ya que ello puede provocar una descarga eléctrica o un incendio, o bien deteriorar el calentador de aire.
- ⑪ Para evitar cualquier posible incendio, no bloquee las entradas ni la salida de aire bajo ningún concepto. No lo utilice en superficies blandas, como en una cama, en la que puedan bloquearse las aberturas.
- ⑫ Todos los calentadores eléctricos de aire tienen dentro piezas calientes o que provocan chispas o arcos eléctricos. No use su calentador en





## INSTRUCCIONES IMPORTANTES

zonas en las que se empleen o almacenen gasolina, pintura o líquidos inflamables o donde el aparato quede expuesto a vapores inflamables.

⑬ No modifique el calentador de aire. Úselo tal como se describe en el presente manual. Cualquier otro uso que no haya sido recomendado por el fabricante puede causar un incendio, una descarga eléctrica o lesiones a las personas.

⑭ Para reducir el riesgo de la descarga eléctrica, esta aplicación tiene un enchufe polarizado (una lámina es más ancha que la otra). Este enchufe cabrá en un enchufe polarizado solamente unidireccional. Si el enchufe no cabe completamente en el enchufe, invierta el enchufe. Si todavía no cabe, entre en contacto con a electricista cualificado para instalar el enchufe apropiado. No cambie el enchufe de ninguna manera. Siempre enchufe los calentadores de aire directamente a una toma corriente de pared/enchufe. No utilice nunca un cable de extensión ni una

conexión eléctrica relocalizable (toma de corriente/barra de alimentación).

⑮ No quemé madera ni otros materiales en el calentador de aire compacto.

⑯ No golpee el frente del cristal.

⑰ Acuda siempre a un electricista homologado en el caso de que le hagan falta nuevos circuitos o tomas.

⑱ Use siempre enchufes polarizados, bien puestos a tierra y dotados de fusibles.

⑲ Desconecte todas las fuentes de energía antes de realizar cualquier limpieza, mantenimiento o cambio de sitio del calentador de aire.

⑳ Cuando se transporten o almacenen el aparato y el cable, manténgalos en un sitio seco, libre de vibraciones excesivas, y almacenado de modo que se evite cualquier perjuicio.



**PRECAUCIÓN**  
RIESGO DE DESCARGA ELÉCTRICA - NO ABRIR  
NO CONTIENE PARTES QUE EL USUARIO  
PUEDA REPARAR



## GUARDE ESTAS INSTRUCCIONES



## INSTRUCCIONES IMPORTANTES

**⚠ ADVERTENCIA:** El control remoto contiene baterías pequeñas mantenga lejos del alcance de los niños. Si se ingiere, busque atención médica de inmediato.

**⚠ ADVERTENCIA:** No instale la batería al revés, no la cargue, no la incinere ni la mezcle con baterías usadas ni con otros tipos de baterías: esto puede causar que explote o que haya filtraciones, provocando lesiones.

**! NOTA:** Los cambios o modificaciones que no estén expresamente aprobados por la parte responsable del cumplimiento podrían anular la autorización del usuario para utilizar el equipo.

**! NOTA:** Este aparato ha sido probado y juzgado conforme con los límites autorizados para un dispositivo digital de clase B, según el reglamento 15 de la FCC. Estos límites han sido determinados para ofrecer una protección razonable contra las interferencias perjudiciales en una instalación residencial. Este aparato genera, usa y puede emitir energía radioeléctrica. Si no se instala y se utiliza según se indica en las instrucciones, puede causar interferencias perjudiciales para la recepción de las señales de radios y televisores, lo cual puede averiguarse colocando el interruptor del aparato en posición de marcha y de apagado. Se recomienda al usuario intentar eliminar las interferencias adoptando una o varias de las medidas siguientes:

- Cambiar la orientación o el emplazamiento de la antena receptora.
- Aumentar la distancia entre el aparato y el receptor.
- Conectar el aparato en una toma de corriente o en un circuito distinto del que se ha usado para el receptor.
- Comunicarse con el comerciante o con un técnico experimentado en aparatos de radio o televisión para obtener ayuda.

La utilización del aparato es sujeta a las dos condiciones siguientes: (1) El aparato no debe causar interferencias y (2) El aparato debe aceptar cualquier interferencia captada, incluyendo las interferencias susceptibles de causar el malfuncionamiento del aparato.



## Instalación de el chimenea

**! NOTA:** Hace falta un circuito de corriente alterna de 120 V y 15 A. Es preferible disponer de un circuito exclusivo, pero no resulta esencial en todos los casos. Hará falta un circuito exclusivo si, después de la instalación, el disyuntor salta o se funden los fusibles con cierta frecuencia al poner en marcha el calentador. El enchufar otros aparatos en el mismo circuito puede superar la corriente nominal del disyuntor.

**⚠ ADVERTENCIA:** Asegúrese de que al montar el cable de alimentación, éste no queda atrapado ni apoyado contra aristas vivas y cerciórese de que el está bien guardado o sujeto para evitar tropiezos o enganchones y reducir así el riesgo de incendio, descarga eléctrica o lesiones a las personas.

El cableado eléctrico de la toma debe cumplir con las ordenanzas de construcción municipales y con la demás reglamentación aplicable a fin de reducir el riesgo de incendio, descarga eléctrica y lesiones.

No intente cablear usted mismo los nuevos circuitos o tomas. Para reducir el riesgo de incendio, descarga eléctrica o lesiones, acuda siempre a un electricista homologado.

1. Asegúrese de que el interruptor de 3 posiciones del aparato está en posición de apagado ("O")

(consulte la sección Operación).

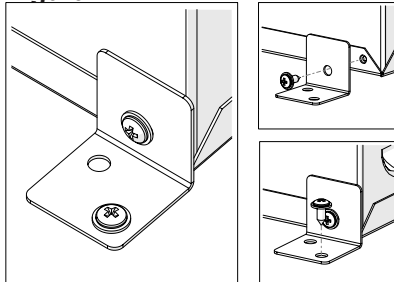
2. Enchufe el aparato en una toma de corriente de 15 A/120 VCA.

### Instalación de la repisa de la chimenea

Para el uso con un manto nuevo o existente. Según el espacio disponible dentro de la cavidad del manto, la unidad puede ser asegurado a la repisa de la chimenea en la parte inferior o posterior. Retire el tornillo de la brida inferior en el lugar más apropiado para asegurar y utilizar el soporte en L y el tornillo que se quitó conectar a la chimenea para el chimenea repisa de la chimenea. (Figura 1)

**! NOTA:** No hay agujeros de guía previstas para el L-soportes de la repisa de la chimenea.

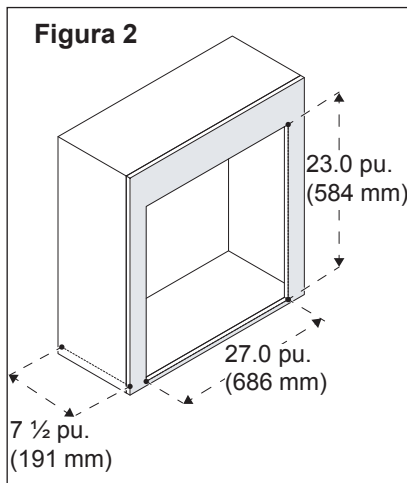
Figura 1



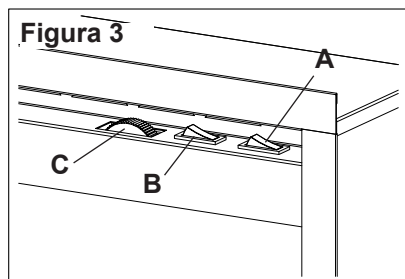
## Instalación de el chimenea

Si no está instalando la unidad en una repisa de Dimplex, las dimensiones de la abertura de la chimenea requeridos son los siguientes: 27.0 pu. (686 mm) de ancho x 23.0 pu. (584 mm) de alto x 7 ½ in. (191 mm) de profundo (Figura 2).

La caja de fuego se va a instalar en la parte delantera de la repisa de la chimenea y se inserta de manera que las bridas estén alineadas con la superficie frontal de la repisa de la chimenea.



## Operación



Los controles están situados en la parte superior derecha de la chimenea (Figura 3).

### **A. Interruptor de tres posiciones**

El interruptor tiene dos posiciones encendido marcadas con "I" y "II".

La posición "I" es para funcionamiento manual. En esta posición, está puentado el control remoto integrado.

La posición "II" es para que la unidad funcione con el control remoto suministrado.

Cuando el aparato está en la posición "II", funciona con los botones de

## Operación

ENCENDIDO y APAGADO del control remoto.

Cuando el interruptor está en la posición central, la unidad está apagada.

### **B. Interruptor de encendido del calentador**

El Interruptor de encendido del calentador activa el ventilador del calefactor y el elemento calefactor. Cuando el mando está activado, en la posición encendido, el calefactor funciona si el termostato se lo ordena.

**! NOTA:** El ventilador continuará funcionando incluso cuando el calentador no es, cuando el interruptor del calentador esté en la posición marche.

### **C. Control del termostato del calentador**

Para regular la temperatura a su gusto, gire el mando del termostato a tope, en sentido horario, para encender el calentador de aire. Cuando la habitación haya alcanzado la temperatura deseada, gire el mando del termostato en sentido antihorario hasta que oiga un clic. Déjelo en esta posición para mantener la temperatura ambiente a este valor. Si desea una temperatura mayor, gire el termostato en sentido horario hasta que oiga de nuevo un clic y el calefactor se encienda.

### **Reajuste del mando de corte de la temperatura**

En el caso de que el calefactor caliente de más, un mando automático apagará el calefactor y no entrará de nuevo si no se rearma. Se puede reiniciar poniendo el Interruptor de tres posiciones en apagado y esperando 5 minutos antes de ponerlo en encendido.

**! PRECAUCIÓN:** Si tiene que reiniciar continuamente el calentador de aire, desenchúfelo y llame al Servicio Técnico en el 1-888-346-7539.

**! NOTA:** El elemento calefactor puede emitir un ligero olor, no nocivo, cuando se use por primera vez. Este olor es normal y está causado por el calentamiento inicial de las piezas del calefactor interno y no se volverá a producir.

### **Funcionamiento a Control Remoto**

El calentador de aire se suministra con un Control Remoto de Encendido/Apagado integrado.

**! NOTA:** Asegúrese de que el conmutador de 3 posiciones del calentador de aire está puesto en la posición "II".

Para encender el chimenea, pulse el botón de Encendido y para apagarlo pulse el de Apagado.

## Operación

**! NOTA:** Antes de intentar cualquier operación con el control remoto, retire la tira plástica aislante que se encuentra entre la carcasa del mando y la cubierta del compartimiento de la pila (Figura 4).

### Inicialización a Control Remoto

Si el control remoto ya no hace funcionar el calentador de aire, siga los pasos siguientes para volver a inicializar el control remoto y el receptor localizado en el calentador:

1. Coloque el interruptor principal de ENCENDIDO y APAGADO (Figura 3A) en la posición de "O" (apagado).
2. Espere al menos 5 segundos, y coloque el interruptor principal de ENCENDIDO y APAGADO en la posición de "II" (control remoto).
3. **Menos de 10 segundos** tras haber hecho este último cambio, pulse el botón encendido del control remoto (Figura 4). Esto sincronizará el control remoto con el receptor del calentador de aire.

**! NOTE:** Sólo dispone de 10 segundos para realizar esta última etapa. De lo contrario, deberá volver a efectuar todos los pasos de nuevo.

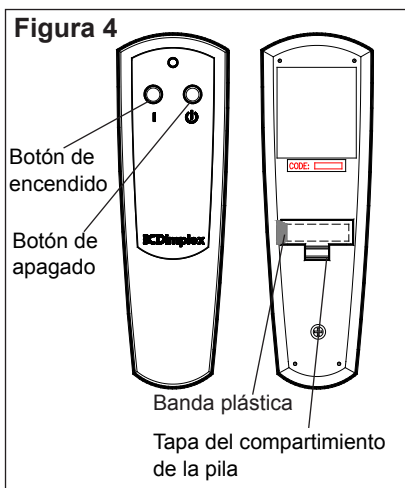
### Cambio de la pila

Para cambiar la pila:

1. Deslice la tapa de la pila del control remoto (Figura 4).
2. Ponga una pila de 12 V (A23) en el compartimiento de la pila.
3. Vuelva a colocar la tapa de la pila.



La batería debe ser reciclada o desechada de manera apropiada. Consulte a su local Autoridad o Distribuidor de asesoramiento sobre reciclaje en su área.





## Mantenimiento

**⚠ ADVERTENCIA:** Desconecte la corriente antes de intentar cualquier labor de mantenimiento o limpieza para reducir el riesgo de incendio, descarga eléctrica o lesiones a las personas.

### Limpieza del cristal

El cristal se limpia en fábrica durante la fase de montaje. En la expedición, instalación, manejo, etc., el cristal delantero puede acumular partículas de polvo. Estas pueden eliminarse despolvando ligeramente con un trapo limpio y seco.

Para eliminar las huellas dactilares u otras marcas, debe limpiarse el cristal delantero con un paño húmedo. El cristal delantero debe secarse completamente con un trapo sin

pelusa para evitar las manchas de agua. Para evitar que se raye, no use limpiadores abrasivos ni rocíe líquidos en la superficie transparente del cristal.

### Limpieza de la superficie del calentador de aire compacto

Para limpiar las superficies pintadas del calentador de aire compacto, use sólo agua caliente. No use limpiadores abrasivos.

### Servicio

Salvo por el cambio de bombillas y la limpieza que se describen arriba, cualquier otro servicio debería ser realizado por un representante de servicio autorizado.



## Garantía

### Garantía limitada por un año

*Productos a los que se aplica la garantía limitada*

Esta garantía limitada se aplica al calentador de aire compacto Dimplex de nueva compra. La garantía limitada se aplica sólo a las compras realizadas en cualquier provincia de Canadá, *excepto* el Territorio de Yukón, Nunavut, y los Territorios del Noroeste o en cualquiera de los 50 estados de los Estados Unidos de América (incluyendo el Distrito de Columbia), *excepto* Hawái y Alaska.

Esta garantía limitada sólo se aplica al comprador inicial del producto y no es transferible.

*Productos excluidos de esta garantía limitada*

Las bombillas no están amparadas por esta garantía limitada y son responsabilidad exclusiva del propietario/comprador. No están cubiertos por esta garantía limitada los productos comprados en el Territorio de Yukón, Nunavut, Territorios del noroeste, Hawái o Alaska. Los productos comprados en



## Garantía

estos estados, provincias o territorios se venden TAL CUAL, sin garantía ni condición de ningún tipo (incluyendo, sin limitación, cualquier garantía implícita o condiciones de comerciabilidad o adecuación a un fin particular) y el riesgo total respecto de la calidad y del rendimiento de los productos recae en el comprador; y en el caso de un defecto, el comprador asume todo el coste de cualquier servicio o reparación necesarios.

### *Lo que cubre la garantía y hasta cuándo*

Los productos amparados por esta garantía limitada se han ensayado e inspeccionado antes de su expedición y, de acuerdo con las cláusulas de esta garantía, Dimplex garantiza que tales productos están libres de defectos de materiales y de fabricación durante un periodo de 12 meses a contar desde la fecha de primera compra de dichos productos.

El periodo de garantía limitada de 12 meses se aplica también a cualquier garantía implícita que pueda existir de acuerdo con la legislación vigente aplicable. Algunas jurisdicciones no permiten limitaciones sobre la duración de la garantía; por ello, la limitación antes citada puede que no sea aplicable al comprador.

### *Lo que esta garantía limitada no ampara*

La garantía limitada no cubre los productos reparados (salvo por Dimplex o sus representantes técnicos autorizados) o modificados de algún modo. Esta garantía limitada no se aplica a los defectos que se produzcan por mal uso, abuso, accidente, negligencia, instalación

incorrecta, mantenimiento o manejo inadecuado o funcionamiento a un voltaje incorrecto.

### *Lo que debe hacer para solicitar el servicio técnico amparado por esta garantía limitada*

Debe informarse de los defectos al Servicio Técnico de Dimplex poniéndose en contacto con Dimplex en el 1-888-346-7539 o en 1367 Industrial Road, Cambridge, Ontario, Canadá, N1R 7G8. Cuando llame, tenga a mano la evidencia de compra, así como los números de catálogo, de modelo y de serie. El servicio de garantía limitada exige el que se disponga de la evidencia de compra del producto.

### *Lo que hará Dimplex en el caso de defecto*

En el caso de que, durante el periodo de 12 meses de garantía limitada, se demostrase que una pieza o un producto amparados por esta garantía limitada tienen defectos de material o de fabricación, usted dispondrá de los siguientes derechos:

- Dimplex decidirá, a su exclusivo criterio, si repara o cambia la pieza o producto defectuoso sin cargo. Si Dimplex no pudiera reparar ni cambiar la pieza o producto, o si la reparación o cambio no es comercialmente practicable o no se puede realizar de modo diligente, Dimplex puede, en lugar de reparar o cambiar, reintegrar al comprador el precio de dicho producto o pieza.
- El servicio de garantía limitada será realizado exclusivamente por los concesionarios o servicios de





## Garantía

asistencia técnica de Dimplex que hayan sido autorizados a prestar los servicios de garantía.

- El comprador es responsable de desmontar y llevar el producto o pieza (y cualquier otra pieza o producto reparado) al distribuidor autorizado o a la sede del servicio de reparación así como de su recogida.
- Esta garantía limitada no faculta al comprador a servicios a domicilio o *in-situ*. A petición del comprador, y a su cargo, pueden prestarse servicios *in situ* o a domicilio sujetándose a las tarifas oficiales del momento de Dimplex para dichos servicios.
- Dimplex no será responsable de cualquier gasto en que se incurra para la instalación o retirada del producto o pieza (o de cualquier pieza o producto reparados) ni de los costes de transporte ni de mano de obra, y los servicios de garantía limitada no los incluyen. Tales costes corren a cuenta del comprador.

*De lo que tampoco son responsables ni Dimplex ni los distribuidores ni los técnicos de mantenimiento:*

EN NINGÚN CASO SERÁN RESPONSABLES DIMPLEX, NI SUS DIRECTIVOS, NI RESPONSABLES, NI AGENTES, [FRENTE AL COMPRADOR O TERCEROS DE CUALQUIER TIPO](#), BIEN SE CONTEMPLARE CONTRACTUALMENTE, EXTRA CONTRACTUALMENTE, O CON CUALQUIER OTRO CONCEPTO, DE CUALQUIER DAÑO, PÉRDIDA O COSTE ACCESORIO, INMATERIAL, PENAL, EJEMPLARIZANTE, ESPECIAL O INDIRECTO, QUE SE PRODUZCA

O ESTÉ RELACIONADO CON LA VENTA, MANTENIMIENTO, USO O IMPOSIBILIDAD DE USAR EL PRODUCTO, INCLUSO SI DIMPLEX O SUS DIRECTIVOS, RESPONSABLES O AGENTES HAN SIDO AVISADOS DE LA POSIBILIDAD DE QUE SE PRODUZCAN DICHOS DAÑOS, PÉRDIDAS O COSTES, O SI TALES DAÑOS, PÉRDIDAS O COSTES SON PREVISIBLES. EN NINGÚN CASO SERÁN RESPONSABLES DIMPLEX NI SUS DIRECTIVOS, RESPONSABLES O AGENTES DE CUALQUIER DAÑO, PÉRDIDA O COSTE QUE SUPERE EL PRECIO DE COMPRA DEL PRODUCTO.

ALGUNAS JURISDICCIONES NO PERMITEN LA EXCLUSIÓN O LIMITACIÓN DE DAÑOS INMATERIALES O ACCESORIOS; POR ELLO PUEDE QUE NO SEA APLICABLE AL COMPRADOR LA LIMITACIÓN O EXCLUSIÓN ANTERIOR.

*Cómo se aplican las legislaciones provincial y estatal*

Esta garantía limitada le proporciona derechos legales específicos y puede que usted tenga también otros derechos que varían de jurisdicción en jurisdicción. A la venta de los productos amparados por esta garantía limitada no le serán de aplicación las cláusulas de la Convención de las Naciones Unidas sobre Contratos de venta de mercancías.



## Piezas de recambio

Ensamble de leños . . . . .	0439560300RP
Motor del efecto de llama . . . . .	2000220100RP
Ensamble del Calentador (con protección térmica) . . . . .	2203610100RP
Termostato (perilla de control) . . . . .	2600090100RP
Interruptor de tres posiciones . . . . .	2800071100RP
Interruptor de encendido/apagado del calentador. . . . .	2800070700RP
Cable de alimentación . . . . .	4100090203RP
Varilla de efecto de llama . . . . .	5902620100RP
Panel parcialmente reflectante . . . . .	5902580300RP
Vidrio delantero . . . . .	5902570200RP
Control remoto . . . . .	3000370500RP
Receptor del control remoto . . . . .	3000380200RP
Placa de Control LED . . . . .	3001170100RP
Conjunto de luces LED (2 LED) . . . . .	3001180100RP
Protectores de fieltro debajo pies (conjunto de 4) . . . . .	8600140101RP



**Dimplex North America Limited**  
1367 Industrial Road  
Cambridge ON  
Canada N1R 7G8

© 2013 Dimplex North America Limited