

Installation and Operation Instructions

USB Universal Swivel Bracket for Model HD3D Unit Heaters



PF929
161-306451-001
May 2015

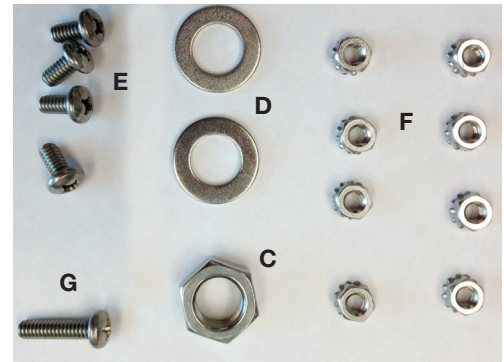
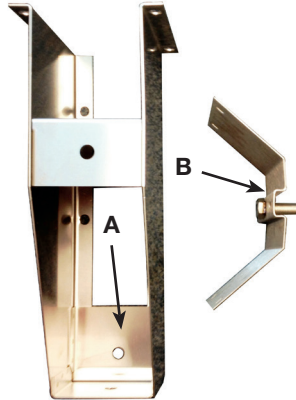
USB Universal Swivel Bracket for HD3D Unit Heaters

⚠ WARNING

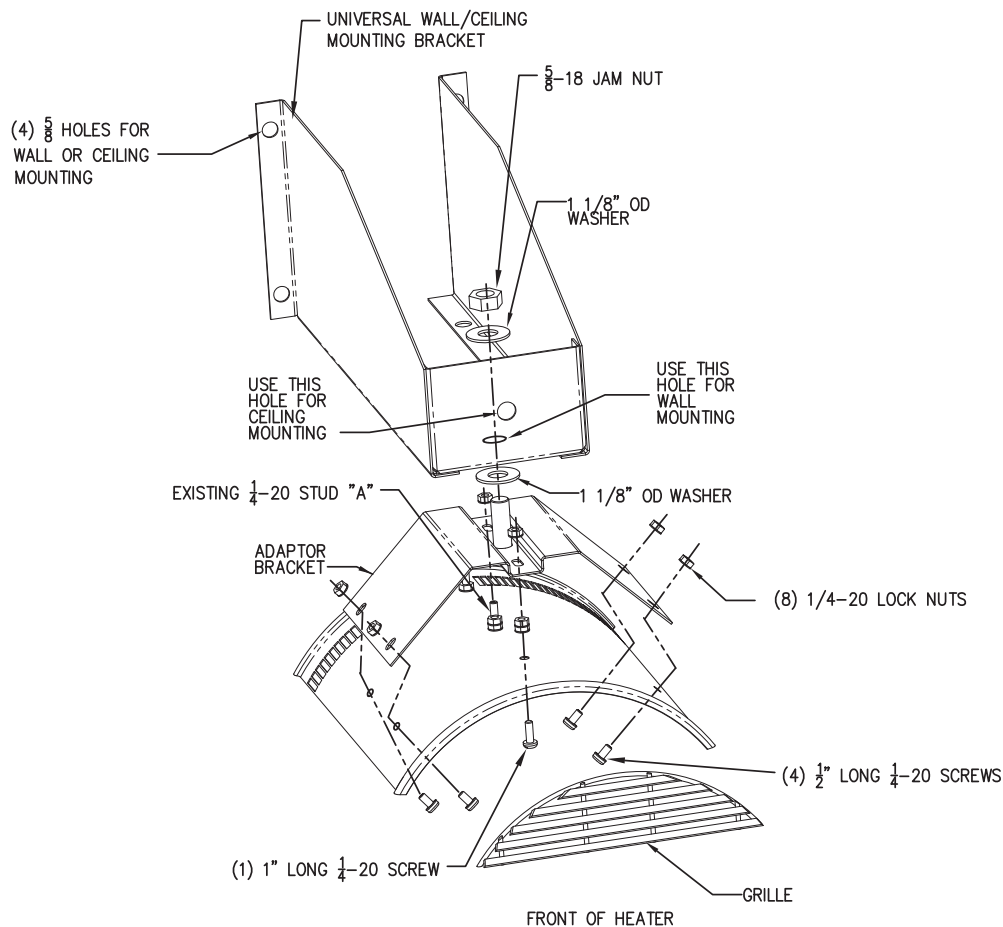
Bracket is for use with static structures Only. If transporting heater while mounted using this bracket, extra support should be used. Do not lift heater by bracket. Place lifting straps around entire heater frame when maneuvering into place. For offshore/shipboard mounting, extra support to frame is highly recommended.

Package Contents

- A. Universal Bracket
- B. Bracket Adapter
- C. (1) 5/8-18 SST Jam Nut
- D. (2) 1" SST Flat Washer
- E. (4) 1/4-20 x 1/2" Machine Screw
- F. (8) 1/4-20 SST Nut
- G. (1) 1/4-20 x 1" Machine Screw



USB Bracket Exploded View



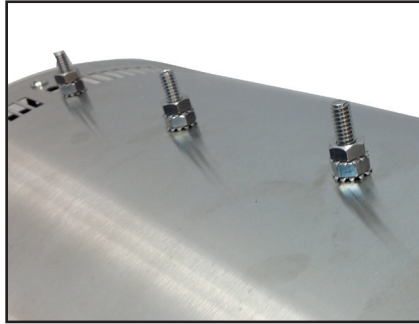
Step 1

Remove front grille by removing two sheet metal screws on left and right side of case.



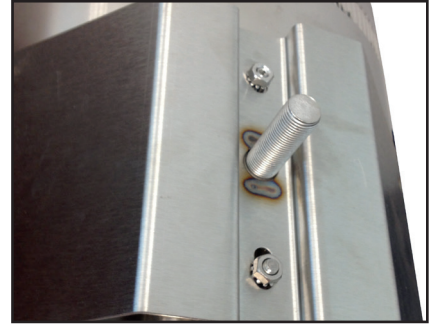
Step 2

1. Install 1/4-20 x 1" Machine Screw (G) in front hole by pushing up through case.
2. Secure with 2 x 1/4-20 SST Nuts (F)



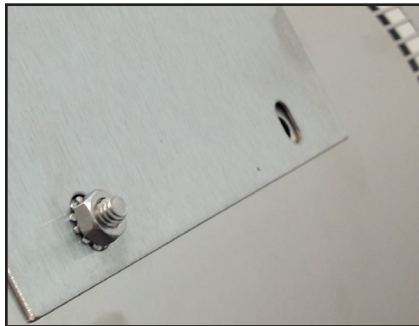
Step 3

1. Install Bracket Adapter (B) on top of case using the two threaded posts toward the front.
2. Secure with 2x1/4-20 SST Nuts (F)



Step 4

Using 4 x 1/4-20 x 1/2" Machine Screws and 4 x 1/4-20 SST Nuts, secure both sides of adapter bracket to case.



Step 5

Replace front grille and secure using screws on both sides.



Step 6 – Using Bracket for Wall Mounting

Place 1 x 5/8 SST Flat Washer on threaded stud.



There are two mounting holes located on the bracket, which allow for either wall or ceiling mounting. See diagram on page 1 for correct mounting hole configuration.

Place remaining 1 x 5/8 SST Flat Washer on threaded stud and secure using 5/8-18 SST Jam Nut.



Replacement Parts

Part Number	Description	Item	Quantity
056945002	Braket Assembly Universal Mounting	A	1
303577028	Bracket - Adaptor Mounting, SM, H	B	1
075472054	Nut, Jam, S303S, 5/8-18, 0.9	C	1
046907008	Washer - Flat,SS3, 1.125x.6	D	2
048849041	Screw, Machine, S300S, RHP, 1/4	E	4
049592061	Nut - NWA,1/4-20, SST	F	8
048849019	Screw, Mach,SS300, RHP, 1/4	G	1

Limited Warranty:

Please refer to the Chromalox limited warranty applicable to this product at <http://www.chromalox.com/customer-service/policies/termsofsale.aspx>.

Chromalox
103 Gamma Drive
Pittsburgh, PA 15238
(800) 443-2640
www.chromalox.com