

COM-PAK TWIN

Ideal warmth for larger areas



- Ideal for large rooms and open areas, such as foyers and entryways
- Warms up quickly with fast-heating coil elements and efficient fans
- Rest easy—includes high-temperature safety shutoff feature
- No sharp edges and a smooth, durable finish
- Designed for easy installation
- Enjoy years of trouble-free use, thanks to durable, reliable design
- Available with or without a built-in thermostat

The Com-Pak Twin is just what you need to quickly warm up large rooms. Two heaters behind a single grill easily fend off cold drafts and breezes in entryways and open areas.

ARCHITECTURAL - ENGINEERING INFORMATION

Fan forced up flow electric air heaters are UL listed, factory rated at 208V, and dual field rated 208V/240V. A powder coated 20 gauge wall mounting can with four knockouts and 79 cubic inch wiring compartment is provided with each complete heater. Each complete heater shall be powder coated, of unitized construction and attach to the wall can with two screws and is self-contained and completely separate from the wall mounting can. Two elements are of nichrome type wire wrapped on mica insulators with two 16 amp rated, at 240V, high temperature manual power reset limit switches, and two one-time over temperature thermal back-up fuses, both located on the element board in the heated air flow for faster response time to abnormal conditions. Two independent two stage centrifugal blowers delivering approximately 40 to 55 CFM each are driven by impedance protected motors. The motors are totally isolated from the heating chamber. Metal grill is of one piece, 20-gauge construction and finished with a powder coat paint system.

TECHNICAL INFORMATION

UL safety standards require the heater to be placed a minimum distance of 6 inches (15.2 cm) from adjacent surfaces and 4-1/2 inches (11.4 cm) from the floor. Cadet recommends a 12-inch clearance from all surfaces for longer and cleaner performance. A 3-foot (91.44 cm) minimum clearance is required for furniture or other objects placed directly in front of the heater. Install horizontally. This heater is not approved for vertical or ceiling installation. Electric wall heaters and thermostats work best when installed on an inside wall. We recommend installing the heater assembly after walls are finished. Heater must be cleaned every six months minimum. These models work best at elevations under 10,000 feet.

CADET 
INVITING WARMTH

cadetheat.com
855.CADET.US
Vancouver, Washington



COM-PAK TWIN

Grill: 16-1/4"W x 12"H x 1"D • Rough-in: 14-5/8"W x 10"H x 4"D

Thermostat temperature range 40°F to 85°F

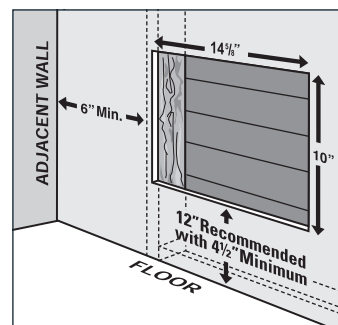
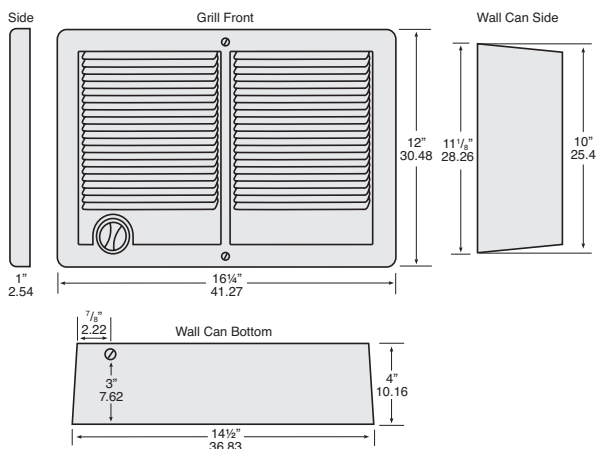
Heater assemblies require CTC wall can, grill kit, and may require a thermostat

PART	MODEL*	DESCRIPTION	WATTS	VOLTS	AMPS	BTUS	WT/LBS
67526	CSTC302TW	Complete unit with thermostat, wall can and grill, white or almond	3000/2250	240/208	12.5/10.8	10240/7680	12
67582	CSTC302TA						
67527	CSTC402TW	"	4000/3000	240/208	16.7/14.4	13650/10240	12
67583	CSTC402TA						
67574	CST308	Heater assembly without thermostat	3000	208	14.4	10240	6.5
67534	CST308T	Heater assembly with thermostat					7
67530	CST408	"	4000	208	19.2	13650	6.5
67533	CST408T						7
67528	CST302	"	3000/2250	240/208	12.5/10.8	10240/7680	6.5
67531	CST302T						7
67529	CST402	"	4000/3000	240/208	16.7/14.4	13650/10240	6.5
67532	CST402T						7
68005	CTC	Wall can for model CST, single pack					3.5
67089	CTGW	Grill kit for model CST, single pack, white or almond					2.5
67090	CTGA						
69100	CTS4W	Surface mount adapter for model CST, 16-1/2" w x 12-1/4" h x 4-3/8" d, white or almond					6
69104	CTS4A						
68075	CTAMW	Adapter plate for model CST, 18-1/2" w x 22" h, white or almond					3
68070	CTAMA						

*Suffix W or A in model designates color

WALL HEATER ACCESSORIES (MODEL CST)

PART	MODEL	DESCRIPTION	VOLTS	AMPS	WT/LBS
67089	CTGW	Single CST grill, white or almond			2.5
67090	CTGA				
68005	CTC	CST wall can single pack			3.5
68070	CTAMA	18-1/2" x 22" metal adapter plate CST Series, almond or white			3
68075	CTAMW				
69100	CTS4A	4" surface mount metal adapter, almond or white			6
69104	CTS4W				
67063	CTT1W	Built-in thermostat kit for model CS, single pole,	240/208/120	25	.2
67065	CTT1A	40°F to 85°F, white or almond			
67064	CTT2W	Built-in thermostat kit for model CS, double pole,	240/208/120	25	.2
67066	CTT2A	40°F to 85°F, white or almond			
67067	CTTP	Built-in thermostat kit, tamper proof for model CS, single pole, 40°F to 85°F	240/208/120	25	.2



ROUGH-IN: 14-5/8"W x 10"H x 4"D

Model No. Code

CST	C	30	2	T	W	
						Com-Pak Twin fan heater
						With wall can
						Wattage: 40 = 4000
						30 = 3000
						Voltage: 2 = 240/208
						8 = 208
						Includes thermostat
						Color: W = White
						A = Almond