



Installation Instructions

For use with 7.795" (198mm) x 10" (254mm) Back Box.

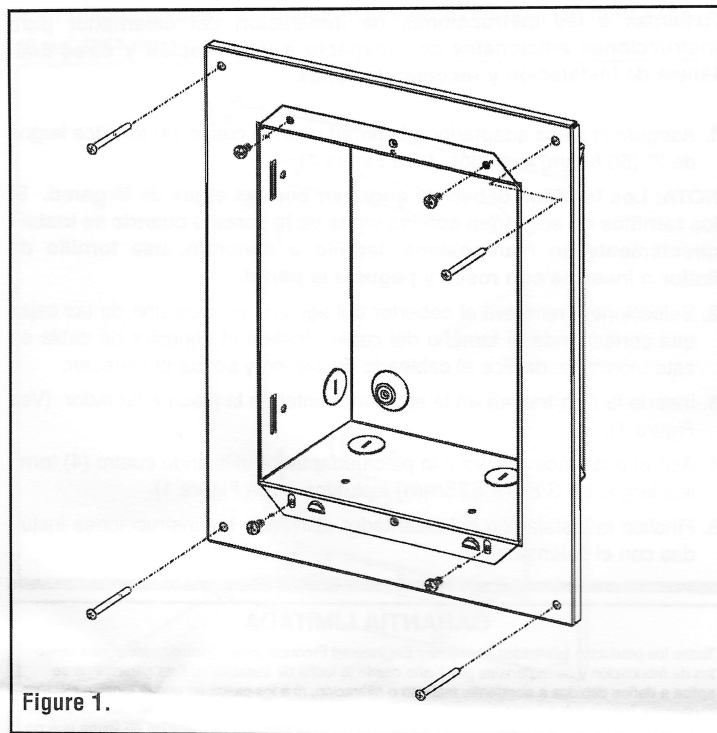


Figure 1.

Refer to heater installation instruction instructions for further instructions regarding location and other installation limitations and recommendations.

1. Secure Adapter Plate to wall using four (4) 2" (50.8mm) long screws provided (See Figure 1).

NOTE: At least two(2) screws must engage wall stud. If screws do not engage wall studs or when mounting directly to masonry, brick or concrete, use toggle bolts, molly bolts, threaded inserts and attach to wall.

2. Select and remove knockout in back box to suit supply cable routing. Install cable connector at this time, route field wiring and tighten connector.
3. Insert the back box into the front opening of the Adapter Plate (See Figure 1).
4. Secure back box to Adapter Plate using four (4) 3/8" (9.525mm) long screws supplied (See Figure 1).
5. Finish heater installation using instructions supplied with heater.

LIMITED WARRANTY

All products manufactured by Marley Engineered Products are warranted against defects in workmanship and materials for one year from date of installation, except heating elements which are warranted against defects in workmanship and materials for five years from date of installation. This warranty does not apply to damage from accident, misuse, or alteration; nor where the connected voltage is more than 5% above the nameplate voltage; nor to equipment improperly installed or wired or maintained in violation of the product's installation instructions. All claims for warranty work must be accompanied by proof of the date of installation.

The customer shall be responsible for all costs incurred in the removal or reinstallation of products, including labor costs, and shipping costs incurred to return products to Marley Engineered Products Service Center. Within the limitations of this warranty, inoperative units should be returned to the nearest Marley authorized service center or the Marley Engineered Products Service Center, and we will repair or replace, at our option, at no charge to you with return freight paid by Marley. It is agreed that such repair or replacement is the exclusive remedy available from Marley Engineered Products.

THE ABOVE WARRANTIES ARE IN LIEU OF ALL OTHER WARRANTIES EXPRESSED OR IMPLIED, AND ALL IMPLIED WARRANTIES OF MERCHANTABILITY AND FITNESS FOR A PARTICULAR PURPOSE WHICH EXCEED THE AFORESAID EXPRESSED WARRANTIES ARE HEREBY DISCLAIMED AND EXCLUDED FROM THIS AGREEMENT. MARLEY ENGINEERED PRODUCTS SHALL NOT BE LIABLE FOR CONSEQUENTIAL DAMAGES ARISING WITH RESPECT TO THE PRODUCT, WHETHER BASED UPON NEGLIGENCE, TORT, STRICT LIABILITY, OR CONTRACT.

Some states do not allow the exclusion or limitation of incidental or consequential damages, so the above exclusion or limitation may not apply to you. This warranty gives you specific legal rights, and you may also have other rights which vary from state to state.

For the address of your nearest authorized service center, contact Marley Engineered Products in Bennettsville, SC, at 1-800-642-4328. Merchandise returned to the factory must be accompanied by a return authorization and service identification tag, both available from Marley Engineered Products. When requesting return authorization, include all catalog numbers shown on the products. For the address of your nearest authorized service center, contact Marley Engineered Products in Bennettsville, SC, at 1-800-642-4328. Merchandise returned to the factory must be accompanied by a return authorization and service identification tag, both available from Marley Engineered Products. When requesting return authorization, include all catalog numbers shown on the products.

⚠ WARNING ⚠

PERSONAL INJURY OR DEATH COULD RESULT FROM ELECTRICAL SHOCK. DISCONNECT ALL ELECTRIC POWER COMING TO THE HEATER FROM MAIN POWER SUPPLY BEFORE ATTEMPTING TO INSTALL THIS KIT.

⚠ WARNING ⚠

TO AVOID FIRE - DO NOT INSTALL CLOSER THAN 1" (25.4MM) TO FLOOR WHEN WALL MOUNTED.

SAVE THESE INSTRUCTIONS

HOW TO OBTAIN WARRANTY SERVICE AND WARRANTY PARTS PLUS GENERAL INFORMATION

1. Warranty Service or Parts 1-800-642-4328
2. Purchase Replacement Parts 1-800-654-3545
3. General Product Information www.marlemep.com

Note: When obtaining service always have the following:

1. Model number of the product
2. Date of manufacture
3. Part number or description

5200-11234-000

06/15

