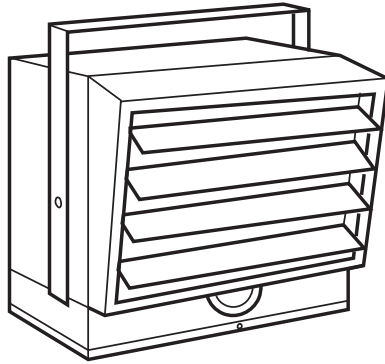


**HUH524TA & HUH724ST
 HORIZONTAL/VERTICAL
 UNIT HEATER**



CAPACITIES
1874 to 7500 Watts
208V or 240V
1Ø only



ITEM	QTY.	CAT. NO.	TAG	HEATER				AMPS	CONTROL CKT. MOTOR VOLTS	MOTOR VOLT	AIR FLOW		NO. OF STAGES	BUILT-IN CONTROLS
				KW	VOLTS	PH	CFM				TEMP RISE			

**ACCESSORIES
 AND
 CONTROLS**

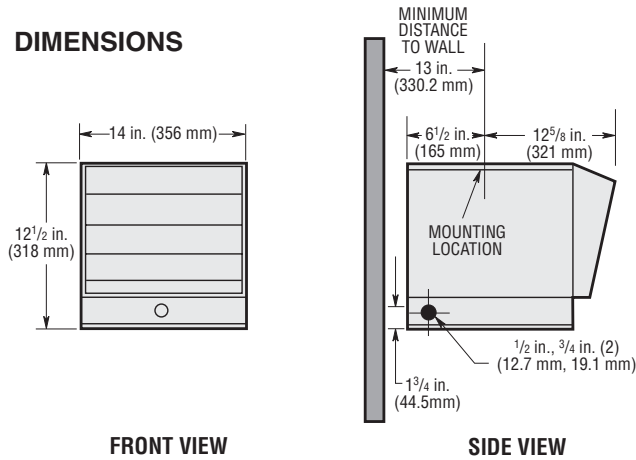
ITEM	QTY.	CAT. NO.	TAG	DESCRIPTION

HUH524TA & HUH724ST - HORIZONTAL/VERTICAL UNIT HEATER

SUBMITTED BY:	DATE

APPROVED BY:	DATE

DIMENSIONS



ARCHITECT'S AND ENGINEER'S SPECIFICATIONS*

The electric horizontal heater(s) shall be as manufactured by Berko, A Marley Engineered Products Brand, Bennettsville, SC. Heater(s) shall be fully UL approved, designed for either wall or ceiling mounting without modification, and operate at either 208 or 240 VAC and have field-adjustable capacity from 1.875 to 5 Kw. or 2.812 to 7500 Kw.

HOUSING: The cabinet shall be of heavy gauge steel, welded and phosphatized; then completely painted by a baked enamel painting process. Front and back panels shall be removable to gain full access to element, motor and fan area Fan guard shall be painted to match heater for appearance and durability. Heater(s) shall be furnished with attached ceiling mounting bracket and shall have capability of full horizontal and vertical position. Heater(s) shall be so designed as to permit mounting within two inches of the ceiling in full horizontal mode.

CONTROL BOX: The control box, housing all heater wiring and controls, shall be located at the bottom of the heater and equipped with a swing-down hinged cover to permit full access for installation, and for cleaning and servicing without dismounting the heater.

WIRING: All heater and control wiring connections shall terminate in the control box. Proper wiring diagram shall be attached to the inside of the control box cover. 60°C wire must be used to enter the wiring compartment.


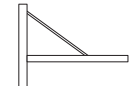
FAN MOTOR: Fan motor shall be totally enclosed, impedance protected and of unit bearing design suitable for horizontal or vertical operation with high starting and running torques. Fan motor and controls shall operate directly from the line voltage.

HEATING ELEMENT: The heating element shall be warranted for five years and shall be of non-glowing design consisting of a special resistance wire enclosed in the steel sheath to which steel plate fins are brazed. The heating element shall cover the entire air discharge area for uniform heating.

THERMAL CUTOUT: Thermal cutout shall be attached directly to each bank of elements to shut off the heater in the event of overheating and reactivate the heater when temperatures return to normal.

* Berko reserves the right to change specifications without prior notice.

CONTROLS AND ACCESSORIES

	CATALOG NO.	DESCRIPTION
	DS-30	3-pole power disconnect switch for field installation on all heaters. Complies with "positive off" requirements.
	WB-1A	Wall mounting brackets for all units. (Ceiling mounting bracket is included with all heaters.)

SELECTION CHART

CATALOG NUMBER	VOLTS	WATTS	BTU PER HR.	PHASE	FAN MOTOR WATTS	CONTROL CIRCUIT & FAN MOTOR VOLTS	FAN MOTOR RPM	AIR VOLUME. CFM	THROW	MIN. MFG. HT.	HEATER AMPS	MIN. CKR. AMPS	WT. (LBS.)
HUH524TA	208	1874	6396	1	8	208	1350	270	16'	6'	9.0	11.3	24
		2500	8553								12.0	15.0	
	3123	10659	15.0			18.5							
	3750	12799	18.0			22.5							
240	2500	8533	10.4	13.0									
	3332	11365	13.9	17.4									
HUH724ST	208	2812	9598	1	6	208	1400	270	18'	8'	13.5	11.3	27
		3750	12799								18.0	15.0	
		4685	15990								22.5	18.5	
		5625	19198								27.1	22.5	
	240	3750	12799			15.6					19.5		
		5000	17065			20.8					26.0		
7500	6250	21331	26.0	32.5									
	25598	31.3	39.1										