

Direct Drive Upblast Propeller Roof Ventilators

Model UP



Features/Specifications:

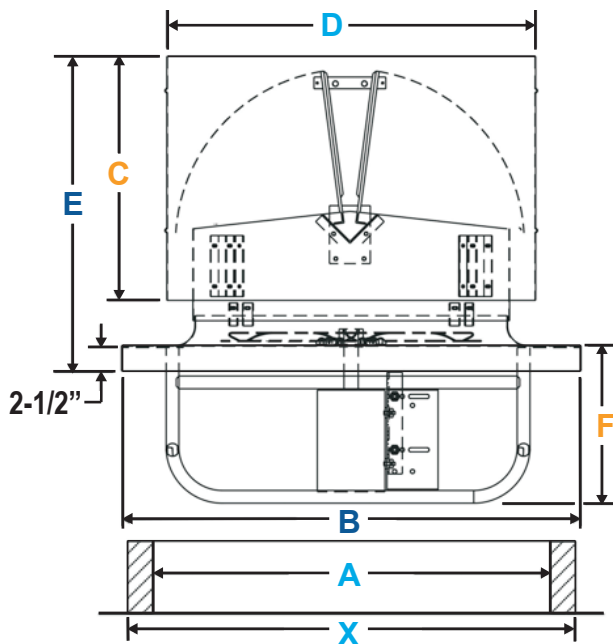
- Discharges heat, fumes, moisture high above roof
- Totally enclosed motors
- Includes magnetic latches on dampers that minimize flutter when fan is not in operation
- Weatherproof streamlined drain trough
- Leak proof base, no bolt holes
- Internal condensation drain
- 1 year warranty



Performance:

Prop Dia.	HP	RPM	0" SP CFM	1/8" SP CFM	1/4" SP CFM	Max BHP
18"	1/2	1750	3853	3550	3215	0.57
24"	1/3	1150	4495	3948		0.36
24"	1	1750	6847	6482	6126	0.94
30"	3/4	1150	9802	8885	7597	0.64
30"	2	1750	14910	14368	13752	2.25
36"	1	1150	10194	8961		0.70
36"	3	1750	15500	14640	13840	2.45
42"	1	850	14640	13222	11985	0.94
42"	2	1150	17618	16879	16019	1.99
42"	5	1150	26150	25120	24040	4.35
48"	2	850	21840	20200	18400	1.76
48"	5	1150	29500	28300	27100	4.58
60"	3	850	32200	29775	27550	2.30

Ventilator Component:



Model UP Dimensions (in.)

Prop Dia.	A min.	B	C	D	E	F	X max.
18"	24	33	18	24	22	9-1/4	32
24"	31	39	22	30	26	10-1/2	38
30"	37	45	25	36	29	14-3/4	44
36"	43	51	28	42	32	14-3/4	50
42"	50	57	32	48	36	17-3/4	56
48"	55	63	34	54	38	18	62
60"	66	75	42	66	46	18	74



Direct Drive Information:

1 PH 115/230V

EDP #	Catalog No.	Prop Dia.	Motor HP	Ship Wt.
30250	UP18H-G3	18"	1/2 (TE)	186
30260	UP24H-F3	24"	1/3 (TE)	290
30270	UP24H-I3	24"	1 (TE)	290
30280	UP30H-H3	30"	3/4 (TE)	292

3 PH 230/460V

EDP #	Catalog No.	Prop Dia.	Motor HP	Ship Wt.
30400	UP18H-G8	18"	1/2 (TE)	179
30410	UP24H-F8	24"	1/3 (TE)	230
30420	UP24H-I8	24"	1 (TE)	243
30430	UP30H-H8	30"	3/4 (TE)	285
30440	UP30H-K8	30"	2 (TE)	306
30450	UP36H-I8	36"	1 (TE)	370
30460	UP36H-L8	36"	3 (TE)	419
30470	UP42H-I8	42"	1 (TE)	500
30480	UP42H-K8	42"	2 (TE)	500
30490	UP42H-M8	42"	5 (TE)	569
30500	UP48H-K8	48"	2 (TE)	575
30510	UP48H-M8	48"	5 (TE)	646
30520	UP60H-L8	60"	3 (TE)	775

Roof Curbs for UP & UPB Series

EDP #	Catalog No.	Prop Dia.	Ship Wt.	Description
31050	PACN31.5-8	18"	34	31-1/2" x 31-1/2" x 8" Insulated steel curb
31055	PACN37.5-8	24"	39	37-1/2" x 37-1/2" x 8" Insulated steel curb
31060	PACN43.5-8	30"	45	43-1/2" x 43-1/2" x 8" Insulated steel curb
31065	PACN49.5-8	36"	50	49-1/2" x 49-1/2" x 8" Insulated steel curb
31070	PACN55.5-8	42"	60	55-1/2" x 55-1/2" x 8" Insulated steel curb
31075	PACN61.5-8	48"	67	61-1/2" x 61-1/2" x 8" Insulated steel curb
31080	PACN73.5-8	60"	85	73-1/2" x 73-1/2" x 8" Insulated steel curb

UP / UPB are special custom order products that are non-cancelable, non-returnable once in production.

Ordering:

Fan No.	EDP #	Qty.	Catalog No.	HP	RPM	Comments

Project		Location	
Engineer		Contractor	

Submitted by		Date		Approved by		Date	
--------------	--	------	--	-------------	--	------	--