

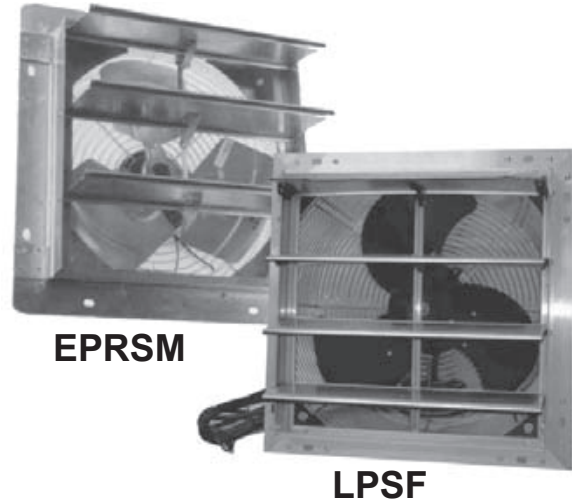
Direct Drive Fans - Low Pressure Shutter Fan



Model EPRSM & LPSF

Features/Specifications:

- 1 Year Warranty
- Fully assembled - ready to install
- Totally enclosed motor
- 115V
- EPRSM7 and EPRSM30 Models are UL Listed; LPSF Models are CUL Listed



Performance:

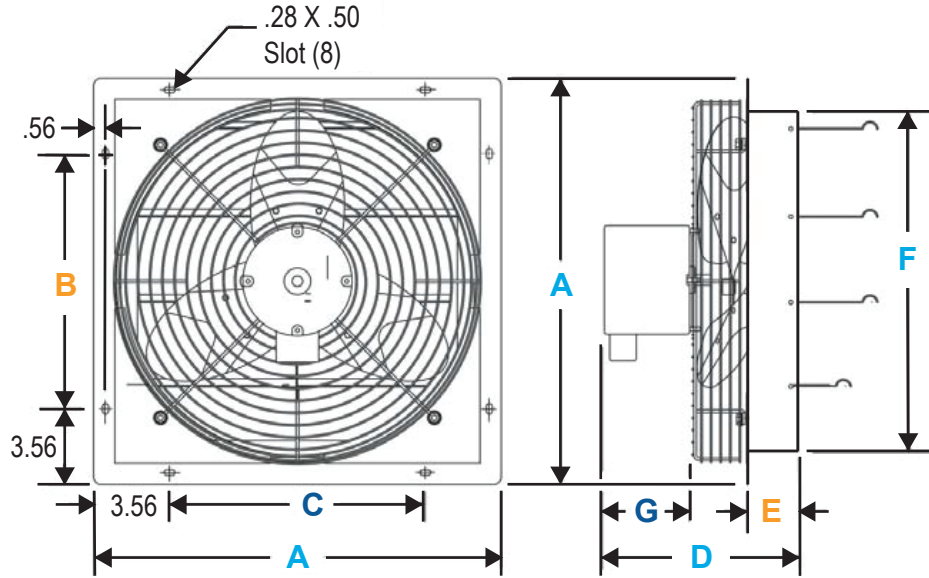
LPSF Model

EDP #	Catalog No.	Prop Dia.	Panel Size	Wall Opening	0" S.P. CFM	1/8" S.P. CFM	Motor HP	F.L. Amp	Max. Sones @ 5'	Ship Wt.
23011	LPSF10	10"	13-1/8"	10-1/2"	611	318	1/30	.60	6.6	10
23015	LPSF12	12"	15-1/8"	13"	815	490	1/30	1.26	7.6	12
23012	LPSF16	16"	19-1/8"	17"	1216	765	1/20	1.37	8.0	20
23013	LPSF18	18"	21-1/8"	18-1/2"	1877	752	1/15	1.27	8.4	25
23016	LPSF20	20"	23-1/8"	20-1/2"	2235	920	1/15	1.36	9.0	29
23014	LPSF24	24"	27-1/8"	25"	3214	2015	1/4	2.39	11.7	48

EPRSM Model

EDP #	Catalog No.	Prop Dia.	Panel Size	Wall Opening	0" S.P. CFM	1/8" S.P. CFM	Motor HP	F.L. Amp	Max. Sones @ 5'	Ship Wt.
23000	EPRSM7	7"	11-1/8"	8-1/2"	121	60	1/30	1.2	4.8	10
23001	EPRSM10	10"	13-1/8"	10-1/2"	611	318	1/30	1.2	6.6	10
23002	EPRSM12	12"	15-1/8"	13"	815	490	1/30	1.2	7.6	12
23003	EPRSM16	16"	19-1/8"	17"	1216	765	1/20	1.9	8.0	20
23004	EPRSM18	18"	21-1/8"	18-1/2"	1877	752	1/15	1.3	8.4	25
23007	EPRSM20	20"	23-1/8"	20-1/2"	2235	920	1/15	2.6	9.0	29
23005	EPRSM24	24"	27-1/8"	25"	3214	2015	1/4	3.5	11.7	48
23008	EPRSM30	30"	33-1/8"	30-1/2"	4970	3510	1/4	3.5	12.0	54

Fan Component:



Model	A	B	C	D	E	F	G
LPSF10	13.13	6	6	8.06	2.38	10	3.00
LPSF12	15.13	8	8	8.06	2.38	12	3.00
LPSF16	19.13	12	12	9.06	2.38	16	4.00
LPSF18	21.13	14	14	11.00	2.50	18	4.75
LPSF20	23.13	16	16	11.00	2.50	20	4.75
LPSF24	27.13	20	20	12.65	3.00	24	5.00
EPRSM7	11.13	4	4	8.06	2.38	8	3.00
EPRSM10	13.13	6	6	8.06	2.38	10	3.00
EPRSM12	15.13	8	8	8.06	2.38	12	3.00
EPRSM16	19.13	12	12	9.06	2.38	16	4.00
EPRSM18	21.13	14	14	11.00	2.50	18	4.75
EPRSM20	23.13	16	16	11.00	2.50	20	4.75
EPRSM24	27.13	20	20	12.65	3.00	24	5.00
EPRSM30	33.13	26	26	12.65	3.00	30	5.00

Ordering:

Fan No.	EDP #	Qty.	Catalog No.	Comments

Project		Location	
Engineer		Contractor	

Submitted by		Date		Approved by		Date	
--------------	--	------	--	-------------	--	------	--