

# Direct Drive Fans - Low Pressure Industrial Duty Model PD



## Features/Specifications:

- Totally Enclosed Ball Bearing Motor
- 2 Speed, 1 Phase or 1 Speed, 3 Phase
- 1 year warranty



## Performance/Information:

### Totally Enclosed, 2 Speed, 115V

| EDP # | Catalog No. | Prop Dia. | HP  | Fan RPM | Capacity (CFM) @ "S.P." in. W.G. |       |      |      | Max Sones @ 5' | Approx. Ship Wt. |
|-------|-------------|-----------|-----|---------|----------------------------------|-------|------|------|----------------|------------------|
|       |             |           |     |         | 0"                               | 1/10" | 1/8" | 1/4" |                |                  |
| 24201 | PD18T-D3A   | 18"       | 1/6 | 1110    | 2680                             | 2414  | 2332 | 1789 | 12.0           | 34               |
| 24211 | PD24T-E3A   | 24"       | 1/2 | 870     | 4860                             | 4360  | 4270 | 2800 | 11.6           | 56               |
| 24221 | PD30T-G3A   | 30"       | 1/2 | 845     | 7380                             | 6850  | 6750 | 5500 | 16.7           | 73               |
| 24231 | PD36R-G3A   | 36"       | 1/2 | 840     | 8664                             | 7814  | 7545 | 5916 | 20.5           | 95               |

### TEFC 1 Speed, 3 Phase, 230/460V

| EDP # | Catalog No. | Prop Dia. | HP  | Fan RPM | Capacity (CFM) @ "S.P." in. W.G. |       |      |      | Max Sones @ 5' | Approx. Ship Wt. |
|-------|-------------|-----------|-----|---------|----------------------------------|-------|------|------|----------------|------------------|
|       |             |           |     |         | 0"                               | 1/10" | 1/8" | 1/4" |                |                  |
| 24260 | PD24T-E8A   | 24"       | 1/4 | 825     | 4610                             | 4110  | 4020 | 2550 | 11.6           | 70               |
| 24270 | PD30T-G8    | 30"       | 1/2 | 845     | 7380                             | 6850  | 6750 | 5500 | 16.7           | 70               |
| 24280 | PD36R-G8    | 36"       | 1/2 | 840     | 8664                             | 7814  | 7545 | 5916 | 20.5           | 95               |

## Recommended Optional Accessories (EDP #'s in parenthesis)

| Prop Dia. | Exhaust Shutter |         | WS Wall Collar |         | WC Supply Shutter |         | Safety Guards Prop Side (Front) |         | Safety Guards Motor Side (Rear) |         |
|-----------|-----------------|---------|----------------|---------|-------------------|---------|---------------------------------|---------|---------------------------------|---------|
| 18"       | EASRMF20        | (22974) | WS18           | (06894) | WC18              | (22631) | 18FG                            | (23670) | INCLUDED                        |         |
| 24"       | EASRMF26        | (22975) | WS24           | (06887) | WC24              | (22641) | 24FG                            | (23675) | INCLUDED                        |         |
| 30"       | EASRMF32        | (22976) | WS30           | (06888) | WC30              | (22651) | 30FG                            | (23680) | 30RG                            | (23625) |
| 36"       | EASRMF38        | (22977) | WS36           | (06889) | WC36              | (22661) | 36FG                            | (23685) | 36RG                            | (23630) |

### EASR Exhaust Motor Kit - For 9" to 36" Wall Louver

| EDP # | Catalog No. |
|-------|-------------|
| 22982 | MTR-556 SP  |

### WC Supply Duty Motor Kit - For 9" to 36" Supply Shutters

| EDP # | Catalog No. | Voltage                 |
|-------|-------------|-------------------------|
| 22900 | MK5047-B    | 120/240V, 9"- 36" Sizes |
| 22905 | MK5047-C    | 440V, 9"- 36" Sizes     |

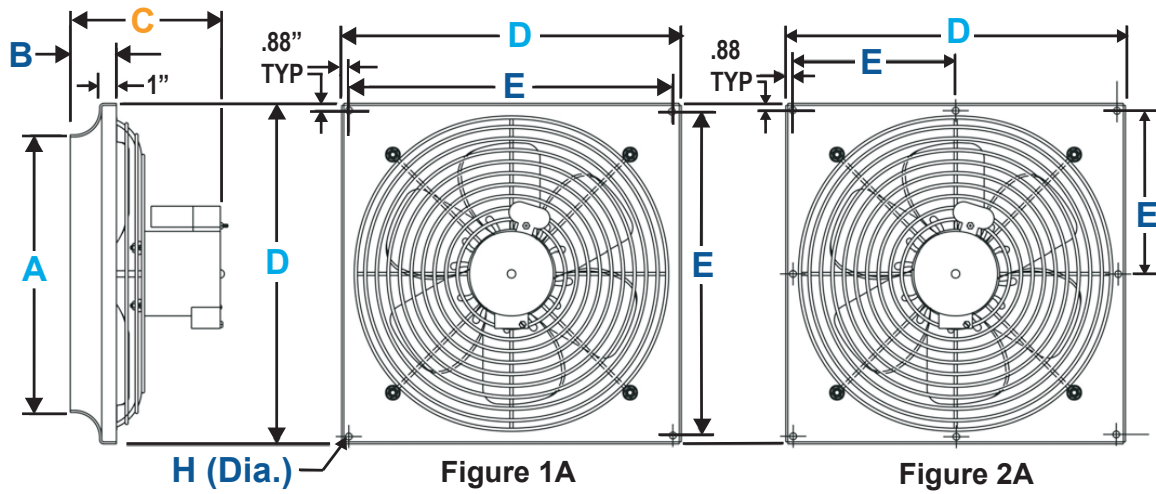
## Controls

| EDP # | Catalog No. | Model | Item                                    |
|-------|-------------|-------|---|
| 24852 | Switch      | -     | 2 speed switch for fan only             |
| 85388 | Switch      | -     | 2 speed switch for fan & supply shutter |
| 24820 | T-1         | T-1   | Thermostat (115V only)                  |

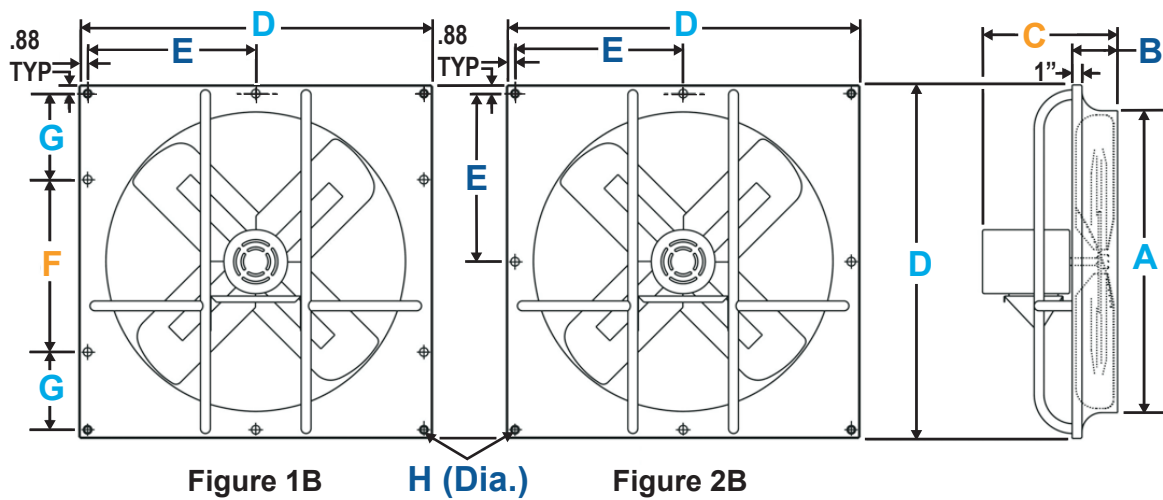
### Manual Chain Operator - 1 Panel Exhaust Shutter (For 10"- 36")

| EDP # | Catalog No.           |
|-------|-----------------------|
| 80111 | Manual Chain Operator |

### 18" & 24" Fan Component:



### 30" & 36" Fan Component:



Model PD Dimensions (in.)

| Size     | 18"    | 24"    | 30"    | 36"    |
|----------|--------|--------|--------|--------|
| See Fig. | 1A     | 2A     | 2B     | 1B     |
| <b>A</b> | 18-1/2 | 24-1/2 | 30-1/2 | 36-1/2 |
| <b>B</b> | 3      | 3-1/2  | 4-5/8  | 4-3/4  |
| <b>C</b> | 9-3/8  | 15-1/2 | 13-3/4 | 12-1/4 |
| <b>D</b> | 24     | 30     | 36     | 42     |
| <b>E</b> | 22-1/4 | 14-1/8 | 17-1/8 | 20-1/8 |
| <b>F</b> |        |        |        | 18-1/4 |
| <b>G</b> |        |        |        | 11     |
| <b>H</b> | .38    | .62    | .62    | .62    |
| Holes    | 4      | 8      | 8      | 10     |



**Ordering:**

| Fan No. | EDP # | Qty. | Catalog No. | HP | RPM | Comments |
|---------|-------|------|-------------|----|-----|----------|
|         |       |      |             |    |     |          |
|         |       |      |             |    |     |          |
|         |       |      |             |    |     |          |
|         |       |      |             |    |     |          |

|          |  |            |  |
|----------|--|------------|--|
| Project  |  | Location   |  |
| Engineer |  | Contractor |  |

|              |  |      |  |             |  |      |  |
|--------------|--|------|--|-------------|--|------|--|
| Submitted by |  | Date |  | Approved by |  | Date |  |
|--------------|--|------|--|-------------|--|------|--|