

Direct Drive Fans - Low Pressure Industrial Duty Model EXG

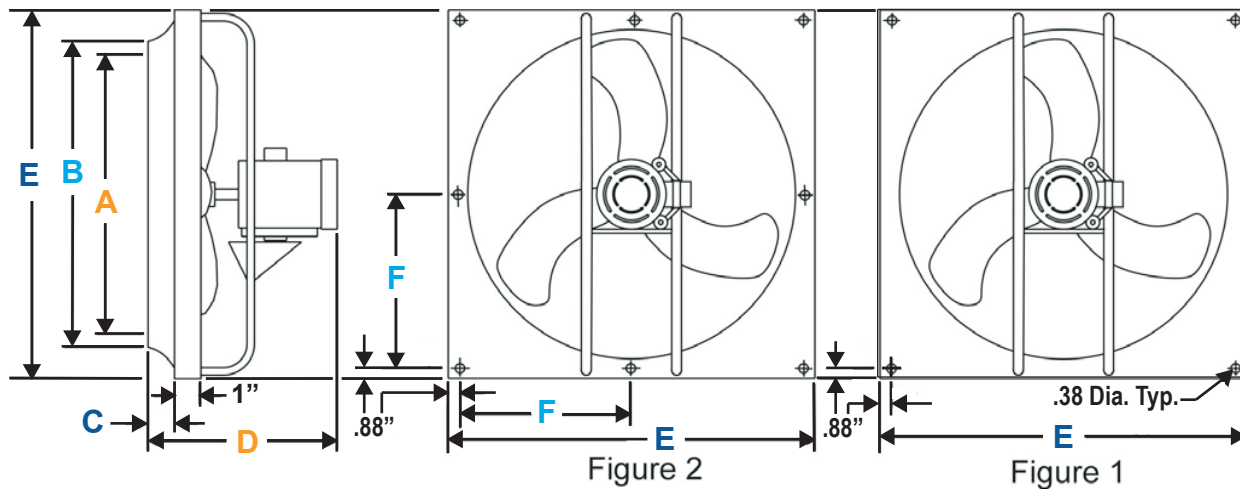


Features/Specifications:

- 1 Year Warranty
- Explosion proof motors Class I, Group D & Class II Groups E, F, & G, with the exception of the 12" and 16" sizes which are explosion proof motors, Class I, Group D & Class II Groups F & G
- Propellers have spark resistant aluminum blades



Fan Component:



Fan Dimensions (in.)

Size	12"	16"	18"	24"
See Fig.	1	1	1	2
A (Dia.)	12	16	18	24
B	12-1/2	16-1/2	18-1/2	24-1/2
C	1-5/8	1-7/8	2	2-1/2
D	10-5/8	13-3/4	15-1/2	15-1/2
E	16	22	24	30
F				14-1/8
H (Dia.)	.38	.38	.38	.38
HOLES	4	4	4	8



Explosion Proof 1 Phase 115/230V

EDP #	Catalog No.	Prop Dia.	HP	Fan RPM	Capacity(CFM) @ "SP in. W.G.			Approx. Ship Wt.	Max. Sones @ 5'
					0"	1/8"	1/4"		
24350	12EXG16	12"	1/4	1725	970	900	800	25	6.7
24360	16EXG16	16"	1/4	1725	2950	2200	1900	40	17.6
24371	18EXG16A	18"	1/4	1140	2600	2200	1000	62	10.5
24381	24EXG16A	24"	1/4	1140	5100	4780	3550	75	20.6

Explosion Proof 3 Phase 230/460V

EDP #	Catalog No.	Prop Dia.	HP	Fan RPM	Capacity(CFM) @ "SP in. W.G.			Approx. Ship Wt.	Max. Sones @ 5'
					0"	1/8"	1/4"		
24391	18EBX836A	18"	1/4	1140	2600	2200	1000	60	10.5
24401	24EBX836A	24"	1/4	1140	5100	4780	3550	90	20.6

Recommended Optional Accessories (EDP Numbers in parenthesis)

Prop Dia.	Wall Collar		Exhaust Shutter for use with/without Wall Collar		Supply Shutters for use with/without Wall Collar		Safety Guards - Prop Side Guard (Front), Motor Side Guard (Rear)	
12"	WS12	(06884)	EASRMF12	(22971)	WC10	(22755)	12FG	(23660)
			EASRMF14	(22972)	WC12	(22611)	12RG	(23605)
16"	WS18E	(06886)	EASRMF18	(22973)	WC16	(22621)	16FG	(23665)
							16RG	(23610)
18"	WS18	(06894)	EASRMF20	(22974)	WC18	(22631)	18FG	(23670)
							18RG	(23615)
24"	WS24	(06887)	EASRMF26	(22975)	WC24	(22641)	24FG	(23675)
							24RG	(23620)

Ordering:

Fan No.	EDP #	Qty.	Catalog No.	HP	RPM	Comments

Project		Location	
Engineer		Contractor	

Submitted by		Date		Approved by		Date	
--------------	--	------	--	-------------	--	------	--