

Low Pressure Belt Drive Exhaust Fans

Model PB



Features/Specifications:

- Completely assembled - ready to install
- Available for exhaust or supply
- 1 year warranty

Fan Component:

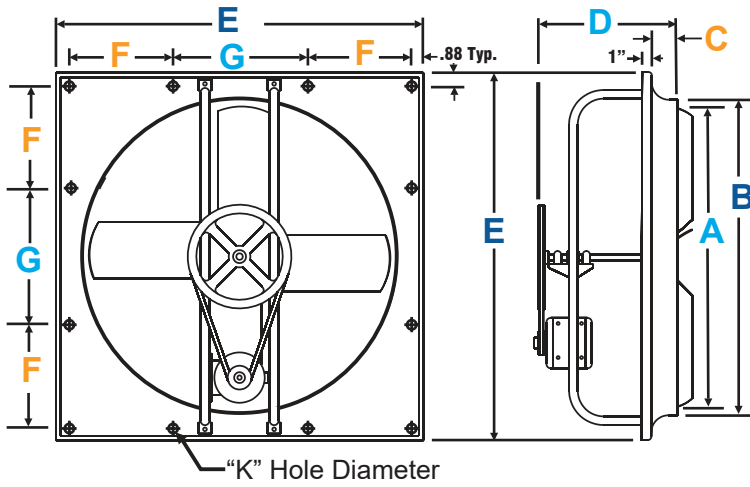


Figure 1

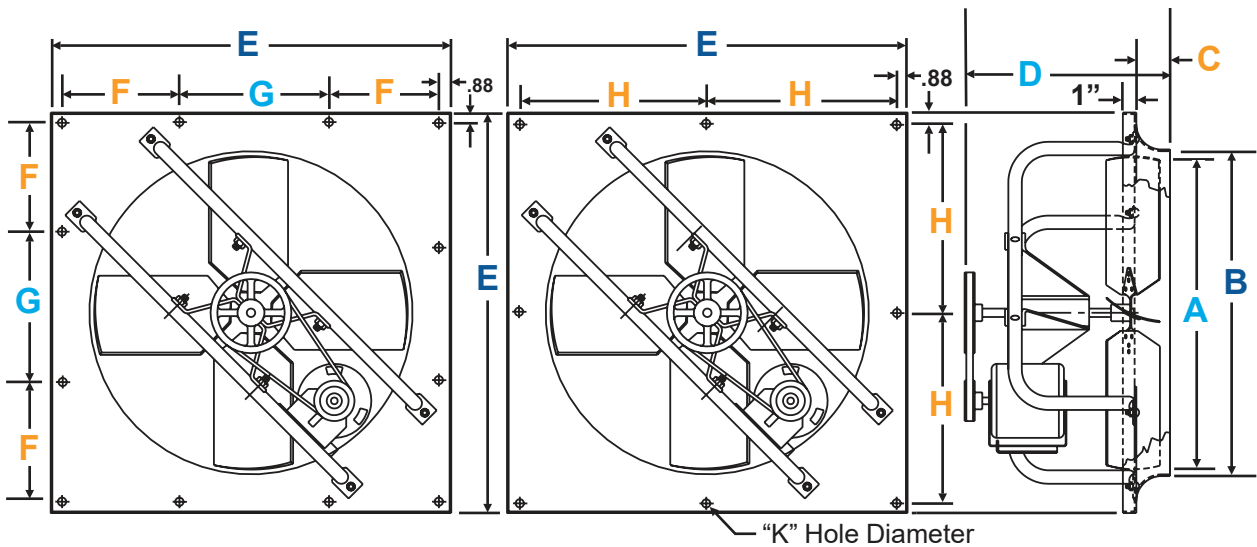


Figure 3

Figure 2

Prop Dia.	See Figure	A	B	C	D	E	F	G	H	No. Holes
24"	2	24	24-1/2	2-1/2	17-7/8	30			14.12	8
30"	2	30	30-1/2	3.63	18-3/8	36			17.12	8
36"	3	36	36-1/2	3.5	18-5/8	42	10	20.25		12
42"	1	42	42-1/2	3.25	24-3/4	48	13	20.25		12
48"	1	48	48-1/2	3.25	24-3/4	54	16	20.25		12



Performance/Information:

1/3 & 1/2 HP 2 Speed ODP, 1 Phase 115V

EDP #	Catalog No.	Prop Dia.	HP	Fan RPM	Capacity (CFM) @ "S.P."		Max Sones @ 5'	Ship Wt.
					0"	1/8"		
25602	PB24RA-F1A	24"	1/3	710	4973	3862	10.21	53
25612	PB24RA-G1A	24"	1/2	850	5953	5001	14.2	55
25622	PB30RA-F1A	30"	1/3	510	7012	5163	9.0	60
25632	PB30RA-G1A	30"	1/2	600	8249	6720	11.7	64
25652	PB36RA-F1A	36"	1/3	375	9048	6980	8.5	69
25662	PB36RA-G1A	36"	1/2	440	10616	8120	11.5	72
25682	PB42RA-F1A	42"	1/3	340	10808	6812	8.4	97
25692	PB42RA-G1A	42"	1/2	386	12271	9304	10.8	100
25702	PB42RA-H3A	42"	3/4	445	14146	11672	14.0	109
25712	PB42RA-I3A	42"	1	495	15736	13568	16.8	107
25722	PB48RA-G1A	48"	1/2	320	14609	10154	10.1	110
25732	PB48RA-H3A	48"	3/4	370	16891	13393	15.0	115
25742	PB48RA-I3A	48"	1	406	18535	15457	16.8	125

Single Speed ODP, 3 Phase 230/460V

EDP #	Catalog No.	Prop Dia.	HP	Fan RPM	Capacity (CFM) @ "S.P."		Max Sones @ 5'	Ship Wt.
					0"	1/8"		
25811	PB24RA-G8A	24"	1/2	850	5953	5001	14.2	59
25831	PB30RA-G8A	30"	1/2	600	8249	6720	11.7	59
25861	PB36RA-G8A	36"	1/2	440	10616	8120	11.5	69
25891	PB42RA-G8A	42"	1/2	386	12271	9304	10.8	98
25911	PB42RA-I8A	42"	1	495	15736	13568	16.8	105
25921	PB48RA-G8A	48"	1/2	320	14609	10154	10.1	112
25941	PB48RA-I8A	48"	1	406	18535	15457	16.8	127

PB Accessories:

Wall Shutters

Exhaust - Automatic

EDP #	Catalog No.
22975	EASR-MF-26"
22976	EASR-MF-32"
22977	EASR-MF-38"
22978	EASR-MF-44"
22979	EASR-MF-50"

Safety Guards

Safety Guard Prop Side (Front)

EDP #	Catalog No.
23675	24FG
23680	30FG
23685	36FG
23690	42FG
23695	48FG

WS Wall Collar

EDP #	Catalog No.
06887	WS24
06888	WS30
06889	WS36
06890	WS42
06891	WS48

Supply - Automatic

EDP #	Catalog No.
22641	WC24
22651	WC30
22661	WC36
22671	WC42
22681	WC48

Safety Guard Motor Side (Rear)

EDP #	Catalog No.
23620	24RG
23625	30RG
23630	36RG
23635	42RG
23640	48RG

Optional Weatherhoods

EDP #	Catalog No.
99915	WH24
99916	WH30
99917	WH36
99921	WH42
99923	WH48



Supply Motor Kits

EDP #	Catalog No.	Description
22900	MK5047-B	120/240V, for 9"- 36" supply shutters
22905	MK5047-C	440V, for 9"- 36" supply shutters
22908	MK5047-E	550V, for 9"- 36" supply shutters
22910	MK-4782-F	120/240V, for 42"- 54" supply shutters
22915	MK-4782-C	440V, for 42"- 54" supply shutters
22918	MK-4782-E	550V, for 42"- 54" supply shutters

Ordering:

Fan No.	EDP #	Qty.	Catalog No.	HP	RPM	Comments

Project		Location	
Engineer		Contractor	

Submitted by		Date		Approved by		Date	
--------------	--	------	--	-------------	--	------	--