

High Pressure Belt Drive Fans

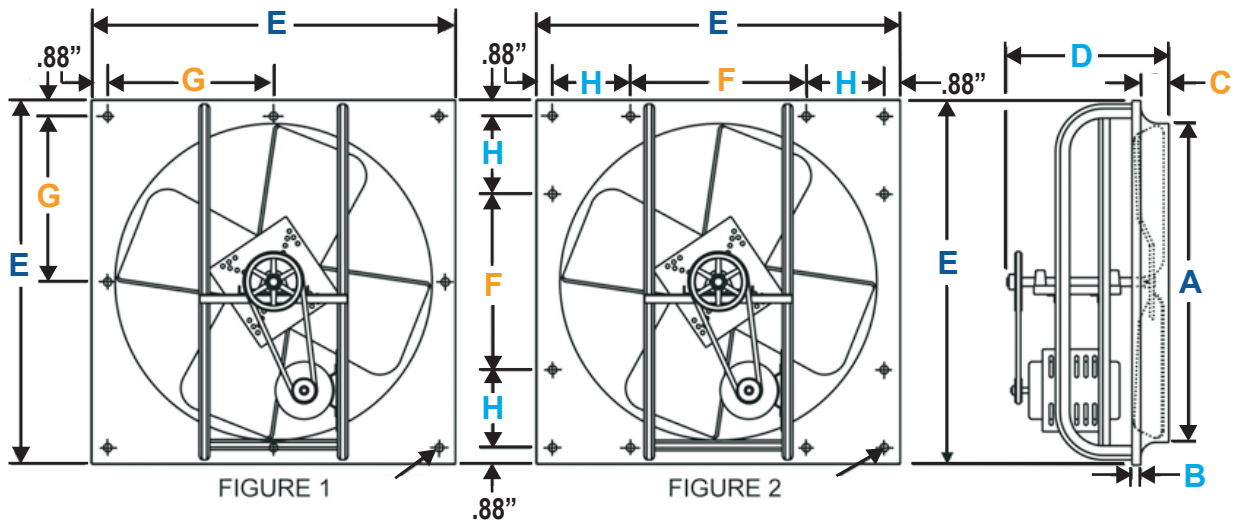
Model HA

Features/Specifications:

- Available for exhaust or supply
- 1 Year Warranty
- Epoxy coated



Fan Component:



Fan Dimensions (in.)

Model	See Figure	A	B	C	D	E	F	G	H	No. Holes
HA24	1	24-7/16	1	2-1/2	15-3/16	30		14-1/8		8
HA30	1	30-1/2	1	2-5/8	18-5/8	36		17-1/8		8
HA36	1	36-1/2	1-1/2	3-1/4	19-1/8	42		20-1/8		8
HA42	2	42-1/2	2	3-1/4	23-3/4	48	18-1/4		14	12
HA48	2	48-1/2	2	3-1/4	24-7/8	54	18-1/4		17	12
HA54	2	54-1/2	2	3-1/4	23-7/16	60	18-1/4		20	12
HA60	2	60-1/2	2	3-1/4	23-7/16	66	18-1/4		23	12



Performance/Information:

Catalog No.	Prop Dia.	HP	Fan RPM	Max BHP	0" SP CFM	1/8" SP CFM	1/4" SP CFM	3/8" SP CFM	1/2" SP CFM	Max Sones @ 5'	Ship Wt.
HA24CA	24"	1/4	746	0.28	4398	3745				12.4	70
HA24DA	24"	1/3	805	0.37	4746	4210	2885			12.9	80
HA24FA	24"	1/2	980	0.64	5778	5409	4617			18.4	85
HA24HA	24"	3/4	1080	0.86	6367	6049	5502	4428		22.6	92
HA24JA	24"	1	1180	1.14	6957	6674	6257	5453	4462	26.3	111
HA24KA	24"	1-1/2	1340	1.63	7900	7658	7349	6867	6067	34.0	121
HA30DA	30"	1/3	530	0.36	6518	4821	2608			8.8	98
HA30FA	30"	1/2	640	0.55	7871	6735	4669			12.8	103
HA30HA	30"	3/4	730	0.85	8978	8080	6439			19.3	108
HA30JA	30"	1	820	1.14	10085	9333	8114	6425		20.8	127
HA30KA	30"	1-1/2	930	1.67	11438	10804	9913	8579	7089	28.2	136
HA36FA	36"	1/2	561	0.56	9720	8211	5602			14.0	122
HA36HA	36"	3/4	650	0.83	11262	10143	7951			18.1	128
HA36JA	36"	1	720	1.10	12475	11533	9805			21.8	148
HA36KA	36"	1-1/2	820	1.65	14207	13429	12223	10377		26.3	157
HA36MA	36"	2	890	2.15	15420	14721	13739	12219	10464	30.3	172
HA42FA	42"	1/2	410	0.58	12797	9882				12.0	169
HA42HA	42"	3/4	453	0.83	14139	11686	7833			14.4	170
HA42JA	42"	1	500	1.08	15606	13517	10254			17.1	215
HA42KA	42"	1-1/2	583	1.66	18197	16533	14113			21.1	225
HA42MA	42"	2	635	2.20	19820	18339	16298	13666		24.8	235
HA42OA	42"	3	725	3.28	22629	21378	19787	17760	15381	31.8	255
HA48HA	48"	3/4	395	0.86	17392	14182				15.9	223
HA48JA	48"	1	420	1.13	18493	15544	10953			16.6	225
HA48KA	48"	1-1/2	485	1.67	21335	18883	15665			23.4	230
HA48MA	48"	2	535	2.31	23556	20848	18132	14264		26.1	245
HA48OA	48"	3	610	3.43	26858	24896	22832	20205		35.5	265
HA48PA	48"	5	690	4.79	30381	28610	26909	24888	22419	53.9	285
HA54JA	54"	1	301	1.11	21524	17049	8814			12.6	310
HA54KA	54"	1-1/2	353	1.65	25243	21902	15939			16.2	313
HA54MA	54"	2	383	2.20	27388	24450	19521	12944		18.7	320
HA54OA	54"	3	437	3.31	31250	28802	25241	20099	14178	23.4	370
HA54PA	54"	5	527	5.50	37686	35717	33353	30099	25907	31.8	385
HA54QA	54"	7-1/2	600	8.13	42906	41174	39308	36935	33896	41.4	455
HA60KA	60"	1-1/2	295	1.64	28923	24368	16985			22.1	395
HA60MA	60"	2	328	2.20	32158	28269	22401			26.1	400
HA60OA	60"	3	373	3.29	36570	33294	28826	22824		30.3	450
HA60PA	60"	5	447	5.50	43825	41170	38024	33975		44.3	465
HA60QA	60"	7-1/2	510	8.18	50002	47680	45165	42090	38385	57.2	535
HA60RA	60"	10	570	11.31	55885	53786	51667	49180	46262	68.5	555



Model HA and Accessories:

Single Speed, Open Drip Proof

115V 1 Phase

Fans with Motor and Drive shipped mounted

EDP #	Catalog No.
42500	HA24CA
42509	HA24DA

230/460V 3 Phase

EDP #	Catalog No.
42503	HA24CA
42512	HA24DA
42533	HA24FA
42548	HA24HA
42566	HA24JA
42581	HA24KA
42593	HA30DA
42608	HA30FA
42627	HA30HA
42642	HA30JA
42663	HA30KA
42675	HA36FA
42687	HA36HA
42705	HA36JA
42720	HA36KA
42744	HA36MA
42759	HA42FA
42771	HA42HA
42783	HA42JA
42801	HA42KA
42813	HA42MA
42822	HA42OA
42831	HA48HA
42843	HA48JA
42858	HA48KA
42870	HA48MA
42882	HA48OA
42900	HA48PA
42912	HA54JA
42924	HA54KA
42933	HA54MA
42939	HA54OA
42945	HA54PA
42957	HA54QA
42966	HA60KA
42975	HA60MA
42984	HA60OA
42996	HA60PA
43011	HA60QA
43020	HA60RA

115/230V 1 Phase

EDP #	Catalog No.
42530	HA24FA
42545	HA24HA
42563	HA24JA
42575	HA24KA
42605	HA30FA
42624	HA30HA
42639	HA30JA
42657	HA30KA
42672	HA36FA
42684	HA36HA
42702	HA36JA
42717	HA36KA
42756	HA42FA
42768	HA42HA
42780	HA42JA
42798	HA42KA
42828	HA48HA
42840	HA48JA
42855	HA48KA
42909	HA54JA
42921	HA54KA
42963	HA60KA

Single Speed, Totally Enclosed

230/460V 3 Phase

EDP #	Catalog No.	HA Model
42506	HA24CA	HA24CA
42521	HA24DA	HA24DA
42542	HA24FA	HA24FA
42557	HA24HA	HA24HA
42572	HA24JA	HA24JA
42587	HA24KA	HA24KA
42599	HA30DA	HA30DA
42621	HA30FA	HA30FA
42633	HA30HA	HA30HA
42651	HA30JA	HA30JA
42669	HA30KA	HA30KA
42681	HA36FA	HA36FA
42699	HA36HA	HA36HA
42711	HA36JA	HA36JA
42735	HA36KA	HA36KA
42753	HA36MA	HA36MA
42765	HA42FA	HA42FA
42777	HA42HA	HA42HA
42789	HA42JA	HA42JA
42810	HA42KA	HA42KA
42816	HA42MA	HA42MA
42825	HA42OA	HA42OA
42837	HA48HA	HA48HA
42849	HA48JA	HA48JA
42864	HA48KA	HA48KA
42876	HA48MA	HA48MA
42891	HA48OA	HA48OA
42903	HA48PA	HA48PA
42918	HA54JA	HA54JA
42930	HA54KA	HA54KA
42936	HA54MA	HA54MA
42942	HA54OA	HA54OA
42951	HA54PA	HA54PA
42960	HA54QA	HA54QA
42972	HA60KA	HA60KA
42981	HA60MA	HA60MA
42990	HA60OA	HA60OA
43005	HA60PA	HA60PA
43017	HA60QA	HA60QA
43026	HA60RA	HA60RA

115/230V 1 Phase

EDP #	Catalog No.
42518	HA24DA
42539	HA24FA
42554	HA24HA
42569	HA24JA
42584	HA24KA
42596	HA30DA
42618	HA30FA
42630	HA30HA
42648	HA30JA
42666	HA30KA
42678	HA36FA
42696	HA36HA
42708	HA36JA
42732	HA36KA
42762	HA42FA
42774	HA42HA
42786	HA42JA
42807	HA42KA
42834	HA48HA
42846	HA48JA
42861	HA48KA
42915	HA54JA
42927	HA54KA
42969	HA60KA



Safety Guards

Prop Side (Front)

EDP #	Catalog No.	Ship Wt.
23675	24FG	15
23680	30FG	19
23685	36FG	27
23690	42FG	34
23695	48FG	40
23700	54FG	75
23705	60FG	90

Motor Side (Rear)

EDP #	Catalog No.	Ship Wt.
23620	24RG	28
23625	30RG	37
23630	36RG	64
23635	42RG	75
23640	48RG	85
23645	54RG	92
23650	60RG	102

Weather Hoods

EDP #	Catalog No.	Description
99915	WH24	Hood for 24" Unit
99916	WH30	Hood for 30" Unit
99917	WH36	Hood for 36" Unit
99921	WH42	Hood for 42" Unit
99923	WH48	Hood for 48" Unit
99918	WH54	Hood for 54" Unit
99919	WH60	Hood for 60" Unit

Wall Shutters

EDP #	Catalog No.
22975	EASR-MF-26"
22976	EASR-MF-32"
22977	EASR-MF-38"
22978	EASR-MF-44"
22979	EASR-MF-50"
22980	EASR-MF-56"
22748	WRHD54"
22981	EASR-MF-62"
22749	WRHD60"

Wall Collar

EDP #	Catalog No.
06887	WS24
06888	WS30
06889	WS36
06890	WS42
06891	WS48
06892	WS54
06893	WS60

WR Heavy Duty Exhaust Shutters

EDP #	Catalog No.	Shutter Size	Number of Panels	Motor Kit
22747	WRHD48	50" x 50"	2	MK-4621 (1)
22748	WRHD54	56" x 56"	2	MK-4621 (1)
22749	WRHD60	62" x 62"	3	MK-4620 & MK-4621

Wall Shutters - Automatic Supply

EDP #	Catalog No.
22641	WC24
22651	WC30
22661	WC36
22671	WC42
22681	WC48
22691	WC54
22701	WC60

Fans Less Motor & Drive

EDP #	Catalog No.
95100	HA24
95104	HA30
95108	HA36
95112	HA42
95116	HA48
95120	HA54
95124	HA60

Supply Motor Kits

EDP #	Catalog No.	Description
22900	MK5047-B	120/240V, for 9"- 36" supply shutters
22905	MK5047-C	440V, for 9"- 36" supply shutters
22908	MK5047-E	550V, for 9"- 36" supply shutters
22910	MK-4782-F	120/240V, for 42"- 54" supply shutters
22915	MK-4782-C	440V, for 42"- 54" supply shutters
22918	MK-4782-E	550V, for 42"- 54" supply shutters

For Weather Hood and Wall Collar information see Weather Hood/Wall Collar submittal sheet.

Ordering:

Fan No.	EDP #	Qty.	Catalog No.	HP	RPM	Comments

Project		Location	
Engineer		Contractor	

Submitted by		Date		Approved by		Date	
--------------	--	------	--	-------------	--	------	--