

Heavy-Duty Air Circulators

Pedestal, Wall, I-Beam & Ceiling Mount Fans

Non-Oscillating 230/460V 1/4 HP



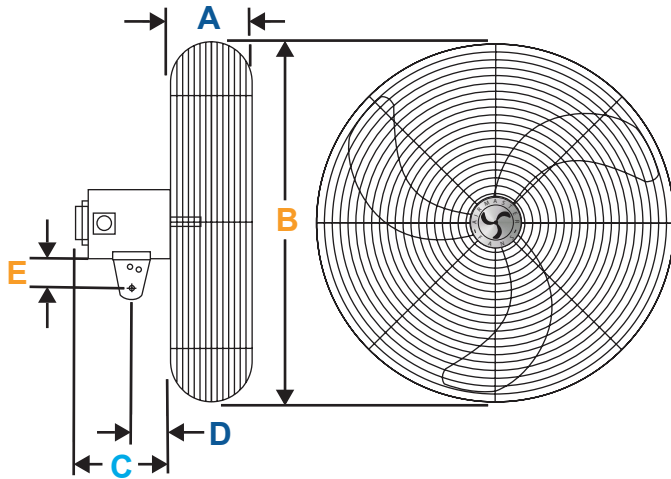
Features/Specifications:

- 3 Phase
- 1 Speed
- Totally enclosed ball bearing motor

Performance:

Prop Dia.	CFM	RPM	Motor No.	F.L. Amps
24"	5739	1140	1069	1.2/6
30"	8723	1140	1069	1.2/6

Fan Component:

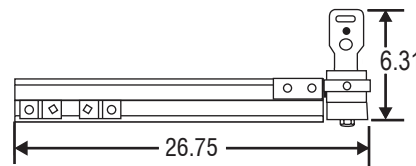


Dimensions in inches

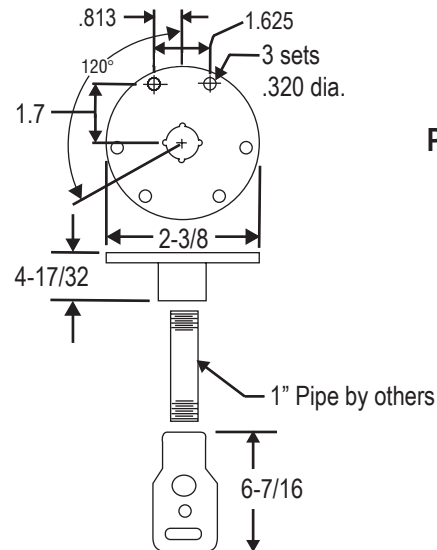
Model	24" Fan		30" Fan		C	D	E
	A	B	A	B			
1069 B Motor	6.25	26.9	5.25	33.39	5.25	2.25	2.50

Accessories/Mounting Options:

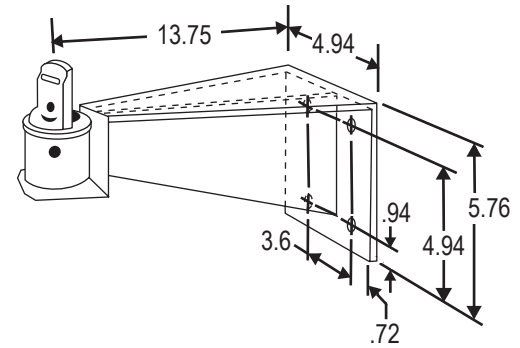
I-Beam Mount



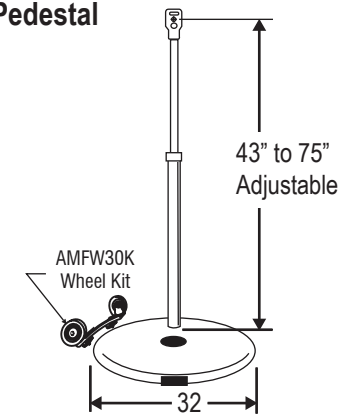
Ceiling Mount



Wall Bracket



Pedestal





Information:

EDP #	Catalog No.	Prop Dia.	Fan Style	Ship Wt.
20600K	24LF36	24"	Pedestal Fan: includes 21152(Pedestal), 21166(Base)	70
20620K	24LW368	24"	Wall Mount Fan: includes 21187(Wall Brkt. with Safety Cable)	49
20640K	24LI36	24"	I-Beam Mount Fan: includes 21191(I-Beam Brkt. with Safety Cable)	49
20630K	24LS36	24"	Vertical Mount Fan: includes 21203(Ceiling Kit with Safety Cable)	39
20650K	30LF36	30"	Pedestal Fan: includes 21152(Pedestal), 21166(Base)	77
20670K	30LW368	30"	Wall Mount Fan: includes 21187(Wall Brkt. with Safety Cable)	56
20690K	30LI36	30"	I-Beam Mount Fan: includes 21191(I-Beam Brkt. with Safety Cable)	56
20680K	30LS36	30"	Vertical Mount Fan: includes 21203(Ceiling Kit with Safety Cable)	46

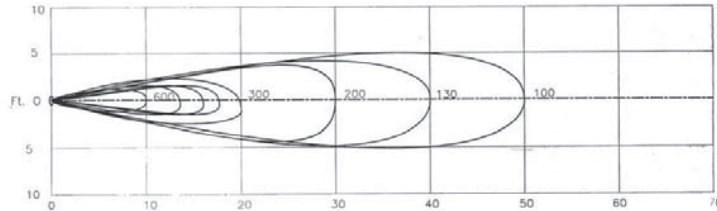
All 24" Kitted Components consist of: 21025 (1069 B Motor); 21070 (AC-24G Guard Assembly); 21095 (24BA-1A Prop); plus mounting listed above.

All 30" Kitted Components consist of 21025 (1069 B Motor); 21080 (AC30-G Guard Assembly); 21105 (30BA-1A Prop); plus mounting listed above.

Fan Velocity Profiles:

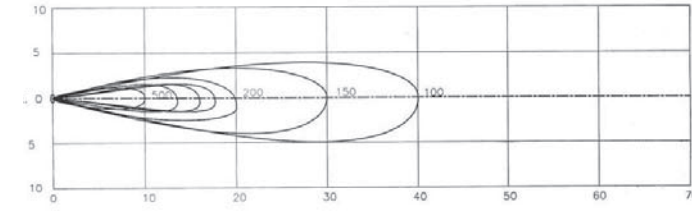
Represents all 18" and 20" 1/5 HP Heavy Duty Air Circulators.

20" HORIZONTAL VELOCITY PROFILE (Ft/Min)



20" FAN VELOCITY PROFILE (Ft/Min)

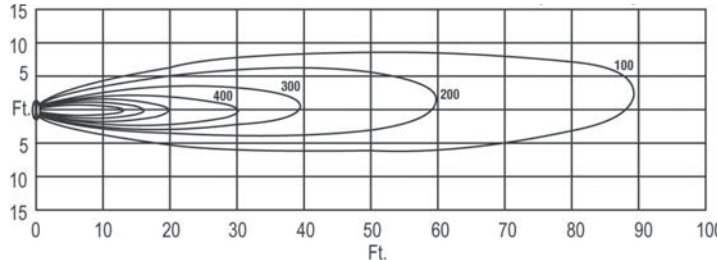
18" HORIZONTAL VELOCITY PROFILE (Ft/Min)



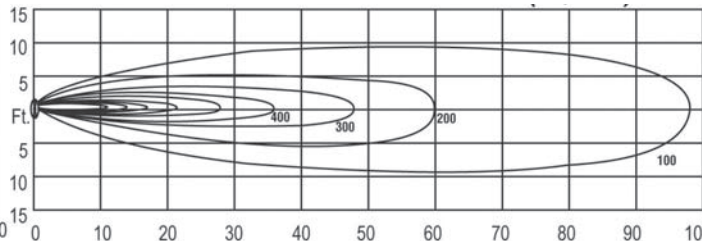
18" FAN VELOCITY PROFILE (Ft/Min)

Represents all 24" and 30" 1/3 HP Heavy Duty Air Circulators.

24" HORIZONTAL VELOCITY PROFILE (Ft/Min)



30" HORIZONTAL VELOCITY PROFILE (Ft/Min)





Ordering:

Fan No.	EDP #	Qty.	Catalog No.	CFM	RPM	Comments

Project		Location	
Engineer		Contractor	

Submitted by		Date		Approved by		Date	
--------------	--	------	--	-------------	--	------	--