

Heavy-Duty Air Circulators

Pedestal, Wall, & I-Beam Mount Fans

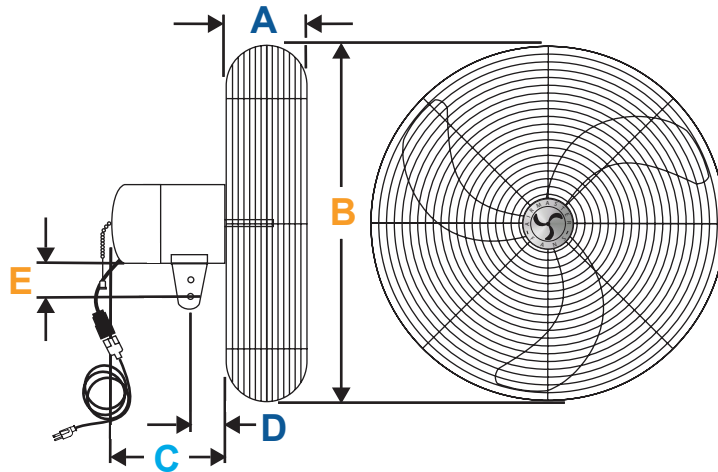
Oscillating 115V



Features/Specifications:

- 5 Year Warranty, Ultra quiet
- Lowest Watts per CFM
- 3 speed motor
- Includes Supply Cord and Plug
- 1 phase, totally enclosed, ball bearing motor
- 26" Base(18" and 20"); 32" Base(24" and 30")
- Patented modular motor end dome for easy maintenance

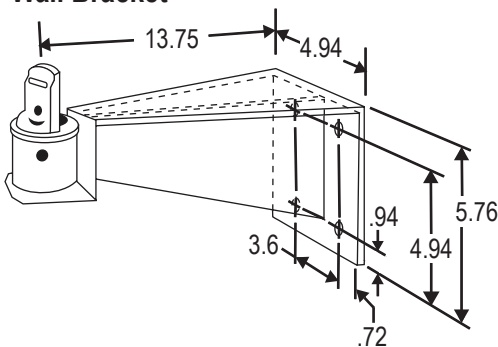
Fan Component:



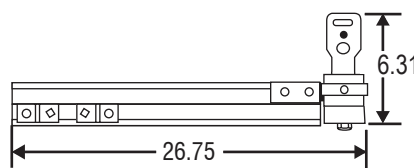
Model	18" Fan		20" Fan		24" Fan		30" Fan		C	D	E
	A	B	A	B	A	B	A	B			
967J-3SP Oscillating	6-1/4	22.5	6.25	22.5					10.5	2.5	5.25
967-3SP Oscillating					6-1/4	26.9	5.25	33.39	10.5	2.5	5.25

Accessories/Mounting Options:

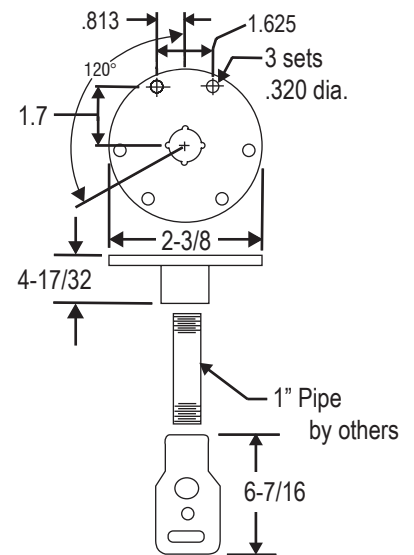
Wall Bracket



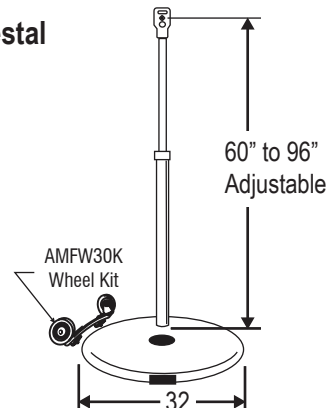
I-Beam Mount



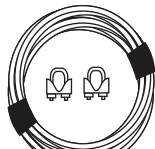
Ceiling Mount



Pedestal



6', 9', and 12'
Extension Cord
for Drop Cord
Switch



Safety Cable



Performance:

Prop Dia.	CFM			RPM			Motor Number	F.L. Amps
	High	Med	Low	High	Med	Low		
18"	2600	2113	1805	1125	915	780	967J (Osc.)	1.41
20"	3100	2060	1657	1120	745	600	967J (Osc.)	1.65
24"	5387	4356	3125	1070	850	628	967 (Osc.)	2.5
30"	7996	5859	4063	1045	789	561	967 (Osc.)	2.9

Information:

Unit Packs, Models - 967 Motor

Prop Dia.	EDP #	Catalog No.	Fan Style	HP	Ship Wt.
18"	20894	UP18LF16-S	Pedestal Fan	1/5	71
18"	20903	UP18LW16-S8	Wall Mount	1/5	51
18"	20908	UP18LI16-S	I-Beam Mount	1/5	54
20"	20898	UP20LF6-S	Pedestal Fan	1/5	72
20"	20904	UP20LW16-S8	Wall Mount	1/5	52
20"	20909	UP20LI16-S	I-Beam Mount	1/5	55
24"	20885	UP24LF16-S	Pedestal Fan	1/3	89
24"	37129	UP24LW16-S8	Wall Mount	1/3	60
24"	37147	UP24LI16-S	I-Beam Mount	1/3	63
30"	20890	UP30LF16-S	Pedestal Fan	1/3	95
30"	37135	UP30LW16-S8	Wall Mount	1/3	64
30"	37148	UP30LI16-S	I-Beam Mount	1/3	67

Motor, specified Mounting, Propeller & Guard shipped in a single carton

Ceiling Mount: A safety cable kit is included in all overhead mounted air circulators to prevent the fan from falling if accidentally struck or mounting fails. Single safety cable kits consist of 12 feet of 1/16" diameter cable, 2 cable clamps and instructions.

Ordering:

Fan No.	EDP #	Qty.	Catalog No.	CFM	RPM	HP	Comments

Project		Location	
Engineer		Contractor	

Submitted by		Date		Approved by		Date	
--------------	--	------	--	-------------	--	------	--