

# Heavy-Duty Air Circulators

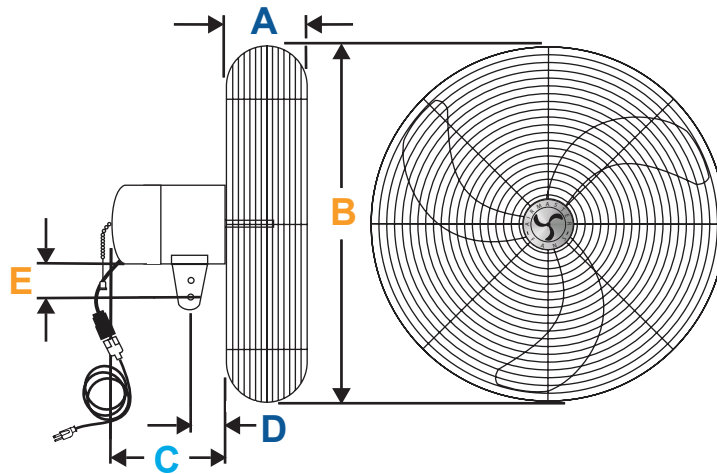
## Pedestal, Wall, I-Beam & Ceiling Mount Fans

Non-Oscillating 115V

### Features/Specifications:

- 5 Year Warranty, Ultra quiet
- Lowest Watts per CFM
- 3 speed motor
- Includes Supply Cord and Plug, Wall and I-Beam Mounts
- 1 phase, totally enclosed ball bearing motor
- 26" Base(18" and 20"); 32" Base(24" and 30")
- Patented modular motor end dome for easy maintenance

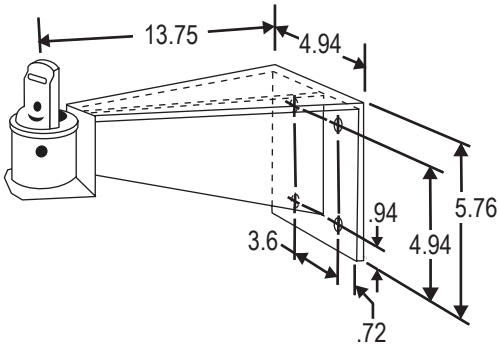
### Fan Component:



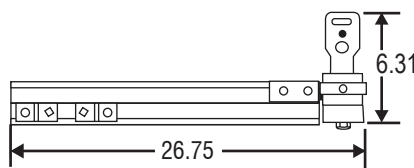
Model	18" Fan		20" Fan		24" Fan		30" Fan		C	D	E
	A	B	A	B	A	B	A	B			
642J-AC-3SP Motor	6-1/4	22.5	6.25	22.5					10.5	2.5	5.25
642-AC-3SP Motor					6-1/4	26.9	5.25	33.39	8.0	2.5	2.5

### Accessories/Mounting Options:

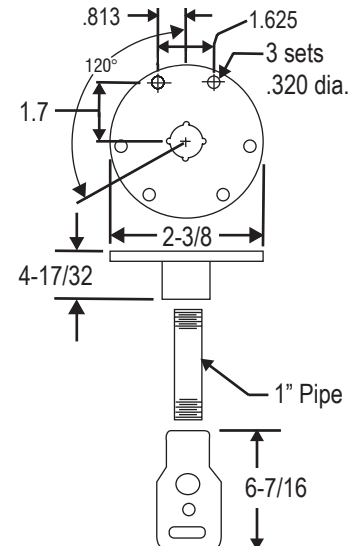
#### Wall Bracket



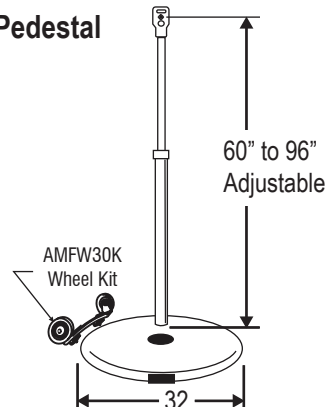
#### I-Beam Mount



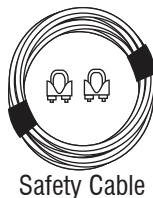
#### Ceiling Mount



#### Pedestal



6', 9', and 12  
Extension Cord  
for Drop Cord  
Switch





## Performance:

Prop Dia.	CFM			RPM			Motor Number	F.L. Amps
	High	Med	Low	High	Med	Low		
18"	2600	2113	1805	1125	915	780	642J (Non-Osc.)	1.41
20"	3100	2060	1657	1120	745	600	642J (Non-Osc.)	1.65
24"	5588	4556	3325	1110	900	700	642 (Non-Osc.)	2.5
30"	8402	6259	4463	1098	880	660	642 (Non-Osc.)	2.7

## Information:

### Unit Packs, Models - 642 Motor

Prop Dia.	EDP #	Catalog No.	Fan Style	HP	Ship Wt.
18"	20892	UP18LF16-S	Pedestal Fan	1/5	65
18"	20899	UP18LW16-S8	Wall Mount	1/5	45
18"	20906	UP18LI16-S	I-Beam Mount	1/5	48
18"	20911	UP18LS16-S	Vertical Mount	1/5	49
20"	20893	UP20LF6-S	Pedestal Fan	1/5	66
20"	20902	UP20LW16-S8	Wall Mount	1/5	46
20"	20907	UP20LI16-S	I-Beam Mount	1/5	49
20"	20912	UP20LS16-S	Vertical Mount	1/5	50
24"	20895	UP24LF16-S	Pedestal Fan	1/3	85
24"	37144	UP24LW16-S8	Wall Mount	1/3	56
24"	37139	UP24LI16-S	I-Beam Mount	1/3	58
24"	37137	UP24LS16-S	Vertical Mount	1/3	50
30"	20900	UP30LF16-S	Pedestal Fan	1/3	91
30"	37145	UP30LW16-S8	Wall Mount	1/3	60
30"	37140	UP30LI16-S	I-Beam Mount	1/3	63
30"	37138	UP30LS16-S	Vertical Mount	1/3	55

Motor, specified Mounting, Propeller & Guard shipped in a single carton

### Mountings

EDP #	Catalog No.	Fan Style	Description	Ship Wt.
21152	8CP2B	Adj. Pedestal	5' to 8' pedestal (for use with A786B Base)	13
21165	A-786B-1	Floor Base	For use with 8CP-2B pedestal on 18" and 20" fans	17
21166	A786B-2	Floor Base	For use with 8CP-2B pedestal on 24" and 30" fans	34
21187	878W	Wall Bracket	Use for HD air circulator wall mountings. Includes Safety Cable Kit.	10
21191	700-U	I-Beam Bracket	Use for HD air circulator I-Beam mountings. Includes Safety Cable Kit.	5
21203	CK-2	Ceiling Bracket	Use for HD air circulator vertical mount (Non-Osc. only) Extension pipe not included. Includes Safety Cable Kit.	14

For Fan Head Component Packs and Assembled Fan Heads

### Assembled Fan Heads, Models - 642 Motor

Prop Dia.	EDP #	Catalog No.	Fan Style	HP	Ship Wt.
24"	20115	M24GBA	Head Assembly	1/3	41
30"	20915	M30GBA	Head Assembly	1/3	41

Motor, Propeller & Guard assembled

**Ceiling Mount:** A safety cable kit is included in all overhead mounted air circulators to prevent the fan from falling if accidentally struck or mounting fails. Single safety cable kits consist of 12 feet of 1/16" diameter cable, 2 cable clamps and instructions.



**Ordering:**

Fan No.	EDP #	Qty.	Catalog No.	CFM	RPM	Watts	Pressure	Comments

Project		Location	
Engineer		Contractor	

Submitted by		Date		Approved by		Date	
--------------	--	------	--	-------------	--	------	--