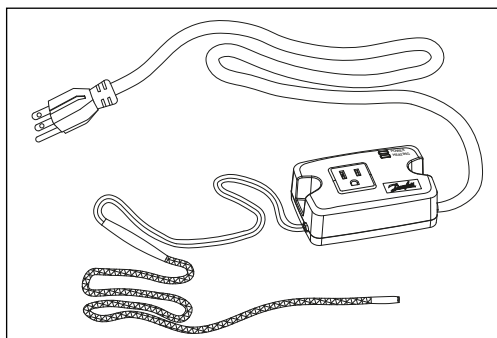


Data Sheet

RX1200 Roof and Gutter De-icing Controller

General Information



By combining the moisture and temperature readings, the controller is able to save up to 75% on energy consumption compared to a controller which only measure temperature.

Danfoss RX products – cables and controls are designed to produce an effective and constant solution to protect your roof from ice dam or related hazards. The quality engineered RX heating cables provide a safe, flexible and economical solution of you snow and ice protection needs.

The RX1200 controller is designed to use in conjunction with Danfoss roof and gutter de-icing cable for roof, gutter and snow melting applications. The RX1200 sense both moisture and temperature conditions in the gutter or downspouts and turns the roof de-icing cable on and off based upon these readings.

The RX1200 is rated at a maximum of 10.2 Amps at 120 Volts, which means the maximum cable wattage the can be connected to the controller is 1225 Watts. Only one roof and gutter de-icing cable can be connected to the RX1200 by a grounded plug.

Technical Data

Power Supply:	120VAC 50/60Hz
Resistive Load (Output) max.:	10.2A @ 120V (1225W)
Enclosure Type:	Outdoor, under soffit/eave
Turn On/Off Temperatures:	On at 39.2°F, off at 44.6°F (on at 4°C, off at 7°C)
Indicators:	Power and Heating
Mounting:	Under soffit/eave or on wall protected against rain and direct sunlight
Dimensions (H x W x D):	1.73" x 4.57" x 2.84" (44mm x 116mm x 72mm)
Mounting Holes:	Center to Center distance 3.82" (97mm)
Power Cord:	4.9ft (1.5m), 16AWGx3C, with grounded plug, black
Probe Lead:	2.3ft (0.7m), black
Sensor Wire:	9.84ft (3m), moisture sensor, black
Sensor Shingle Clips:	6 pcs., aluminum alloy
Screws:	2 pcs., M4x25

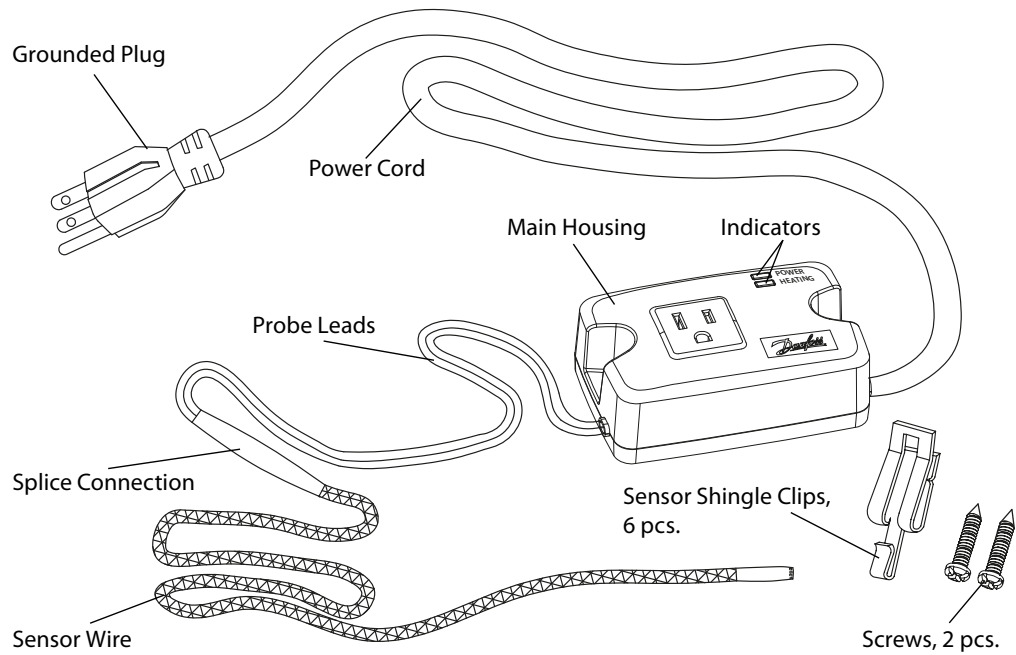


Applications

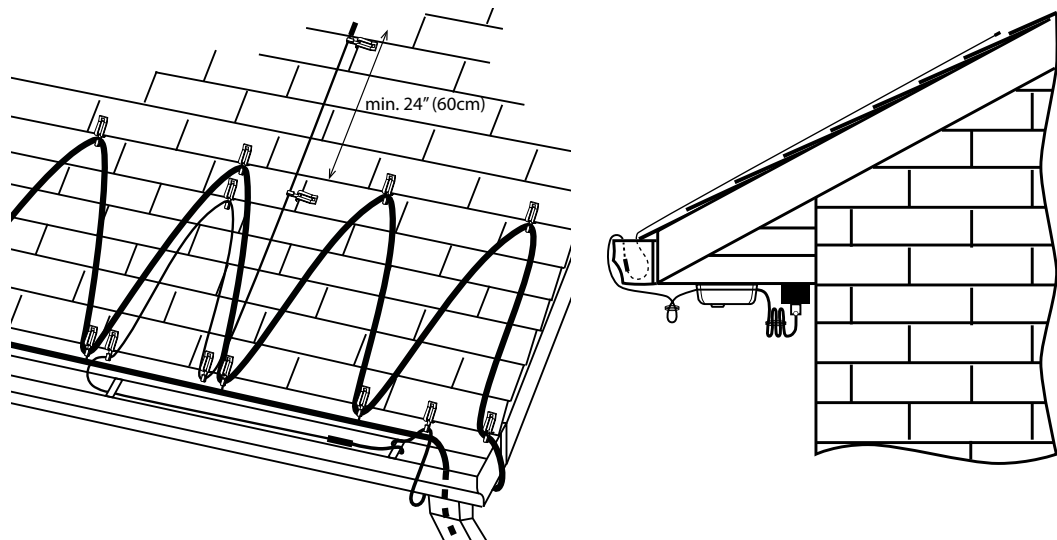
Products in this data sheet are for use with these Danfoss cables:

Danfoss Electric Heating Products
RX Roof & Gutter De-Icing Cables

RX1200 Kit Description



Typical Application



Ordering Information

Part No.	Description
088L9000	RX1200 Roof and Gutter De-icing Controller

Warranty

Danfoss offers a two year limited warranty covering defects in workmanship and materials.

Technical Services

For technical questions, please contact Danfoss Heating North America at 1-888-DANFOSS. More information on Danfoss Electric Heating products is available at www.LX.Danfoss.com.

Danfoss can accept no responsibility for possible errors in catalogs, brochures, other printed materials, and website information. Danfoss reserves the right to alter its products without notice. This also applies to products already on order provided that such alteration can be made without subsequent changes being necessary in specifications already agreed upon. All trademarks in this material are property of the respective companies. Danfoss and Danfoss logotype are trademarks of Danfoss A/S. All rights reserved.



Danfoss
 North America
 Toll Free: 1-888-DANFOSS (option 3)
 Fax: 416-352-5981
www.LX.Danfoss.com

Danfoss RX
 BRINGING WARMTH TO LIFE