

PARTS AND SERVICE MANUAL

FOR

DIMPLEX 26" OUTDOOR ELECTRIC FIREPLACE

Model DFO2607

D Dimplex®

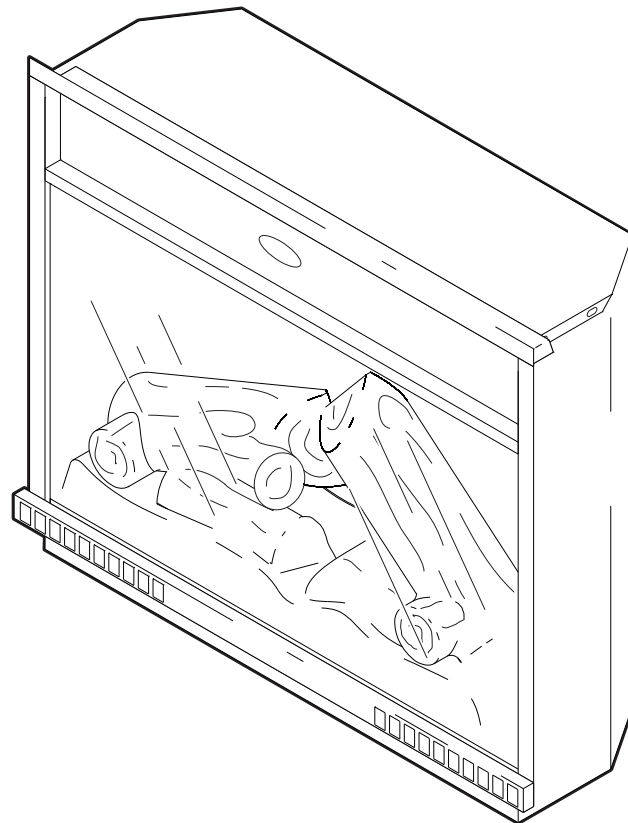


TABLE OF CONTENTS

OPERATION	PAGE 2
PARTS DRAWING	PAGE 3
PARTS LIST	PAGE 4
WIRING DIAGRAM	PAGE 5
FRONT GLASS REMOVAL	PAGE 6
UPPER LIGHT REPLACEMENT	PAGE 7
LOWER LIGHT REPLACEMENT	PAGE 8
MAIN ON/OFF/FLAME CONTROL REPLACEMENT	PAGE 9
FLAME ROD AND MOTOR REPLACEMENT	PAGE 10
CIRCUIT BOARD REPLACEMENT	PAGE 11
AUDIO BOARD REPLACEMENT	PAGE 12

OPERATION

ELECTRIC FIREPLACE MANUAL CONTROL

The manual controls for the firebox are located in the upper right hand corner behind the access panel. To access the controls, open the upper access panel by pulling forward and down.

To locate controls refer to Figure 3.

NOTE: The main on/off switch/flame action and flame brightness controls are always illuminated as long as the unit is plugged in.

A. Main On/Off Switch

The ON/OFF SWITCH supplies power to the flames and over head lights.

B. Flame Action Control

Press the up or down arrow to adjust the flame speed to the desired level.

C. Flame Brightness Control

Press the up or down arrow to increase or decrease the brightness of the over head lights.

D. Storage Compartment

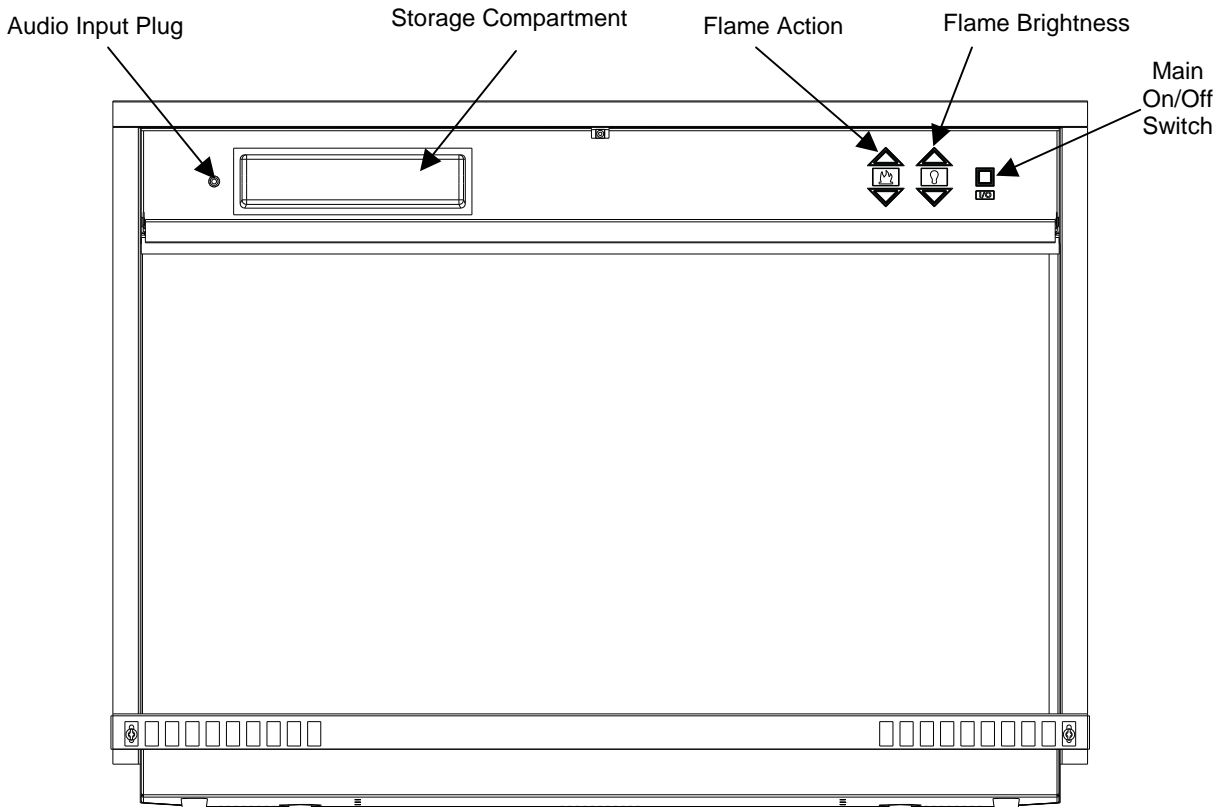
A convenient location to place your CD's or MP3 player.

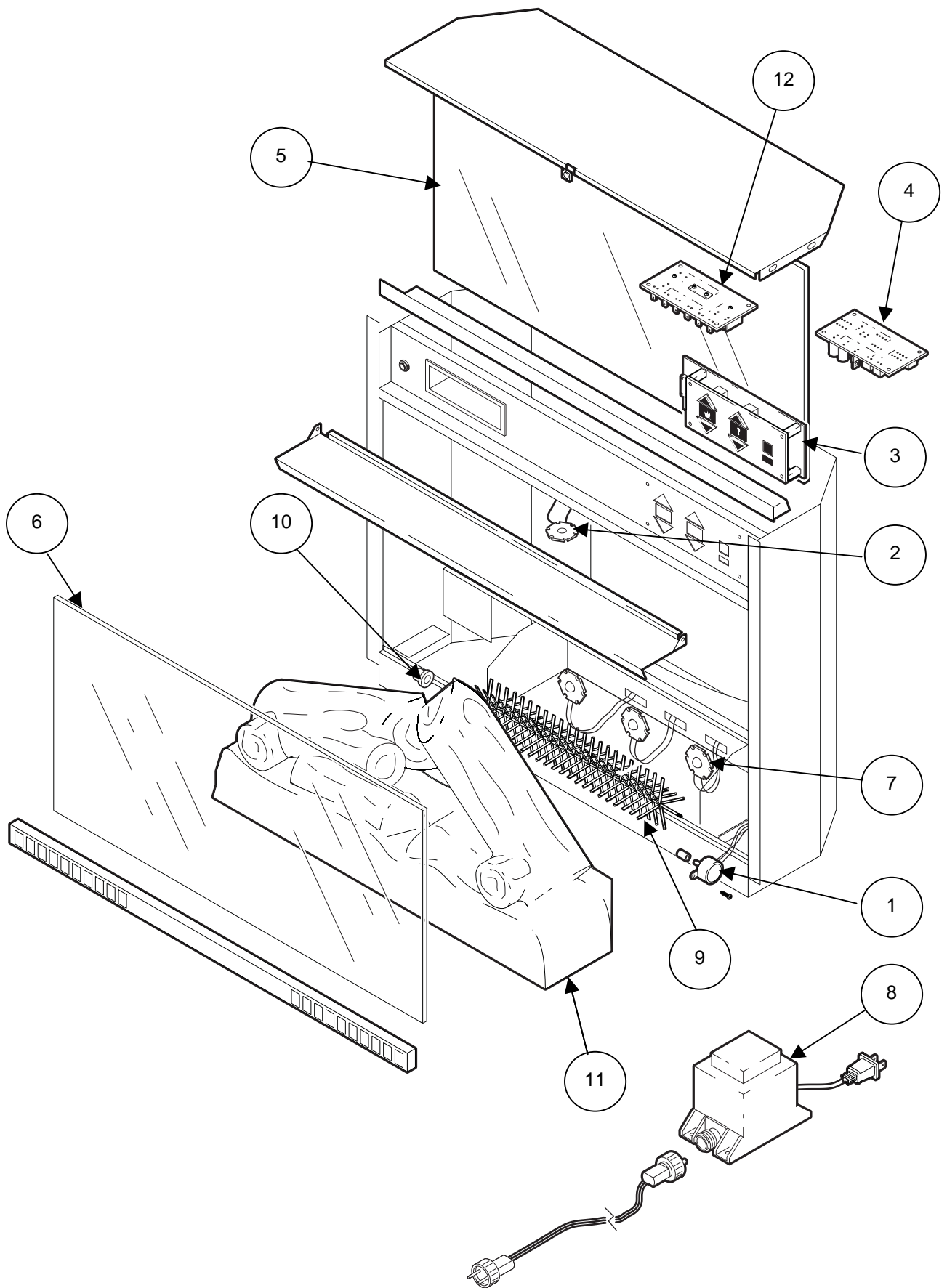
E. Audio Input Plug

Using the audio cord included, a CD or MP3 player may be connected to the firebox.

Figure 3

NOTE: This unit does not have a heat option





DFO2607

REPLACEMENT PARTS

FIREBOX, 26" – Dimplex

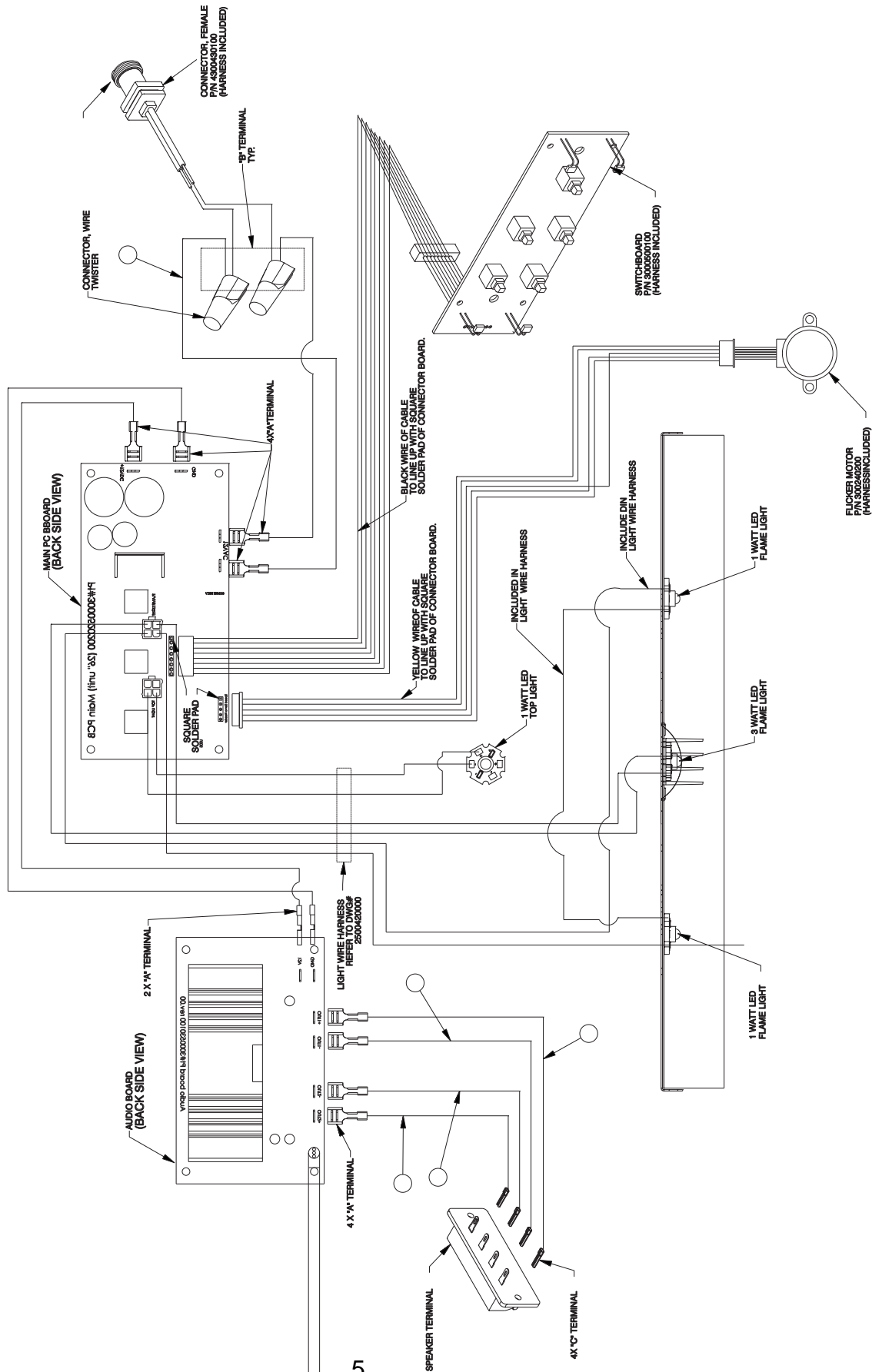
**CATALOGUE NO.
PART NO.**

**DFO2607
6903100200**

REPLACEMENT PART

1. MOTOR, ASSEMBLY	3000240200RP
2. LED LIGHT, TOP	3700060200RP
3. SWITCHBOARD	3000560100RP
4. CIRCUIT BOARD	3000520200RP
5. MIRROR	5900750200RP
6. GLASS FRONT	5900710200RP
7. LED LIGHT, BOTTOM	3700060200RP
8. TRANSFORMER	2100200200RP
9. FLAME ROD	5900080600RP
10. BUSHING	8500000400RP
11. LOGSET	0437960600RP
12. AUDIO BOARD	3000530100RP

WIRING DIAGRAM



DFO2607

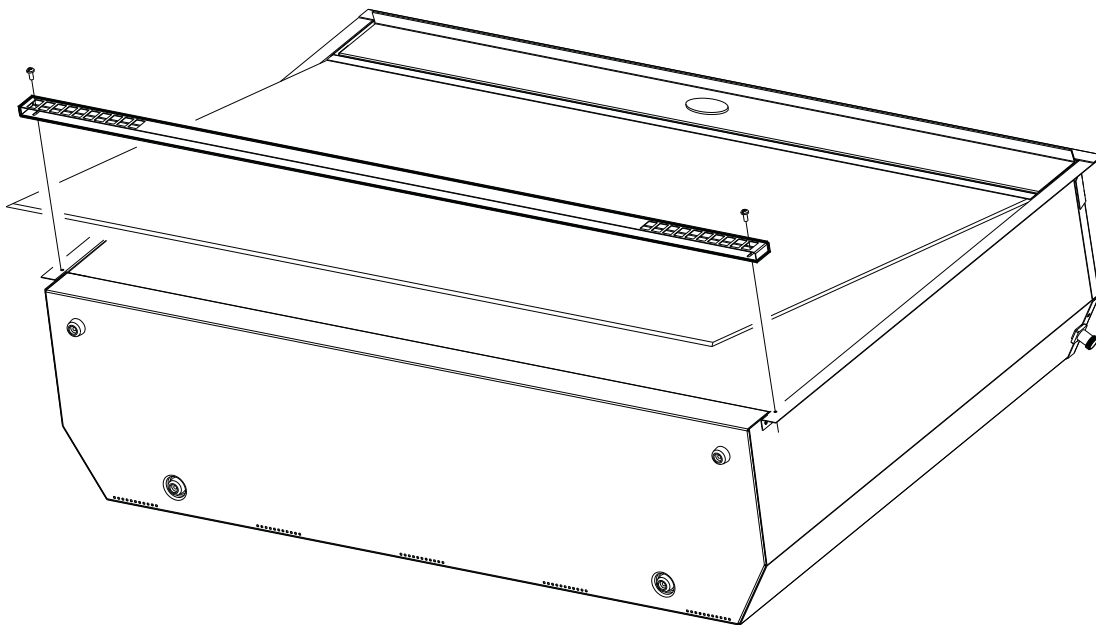
Disconnect power before attempting any maintenance or cleaning to reduce the risk of electric shock or damage to persons.

Lights need to be replaced when you notice a dark section of the flame. There are three lights under the log set which generate the flames and embers located under the emberbed.

It is a good idea to replace all of the lights at one time if they are close to the end of their rated life. Group replacement will reduce the number of times you need to open the unit to replace the lights.

FRONT GLASS REMOVAL

1. Remove top from mantel.
2. Lift firebox out of mantel.
3. Lay firebox on it's back.
4. Remove screws from the left and right side of the front glass lower support.
5. Insert the tip of a slot screwdriver between the glass edge on either the left or right side trim.
6. Using the screwdriver as a lever, apply pressure in a downward motion forcing the edge of the glass up.



DFO2607

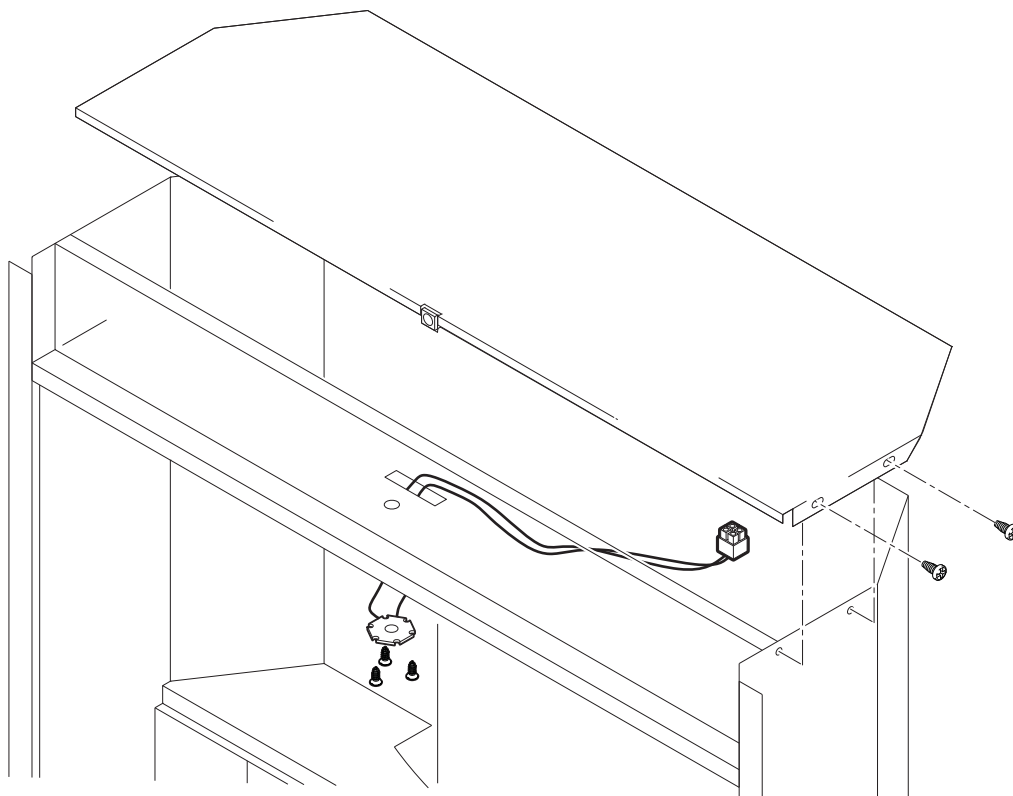
Disconnect power before attempting any maintenance or cleaning to reduce the risk of electric shock or damage to persons.

Lights need to be replaced when you notice a dark section of the flame. There are three lights under the log set which generate the flames and embers located under the emberbed.

It is a good idea to replace all of the lights at one time if they are close to the end of their rated life. Group replacement will reduce the number of times you need to open the unit to replace the lights.

UPPER LIGHT REPLACEMENT

1. Remove the front glass as shown on page 6 of this manual.
2. Remove the top trim piece by removing the 3 retaining screws.
3. Remove the 10 retaining screws and lift the top off of the unit.
4. Unplug the light wiring harness from the circuit board.
5. Remove the 3 screws and remove the light from the unit.
6. Reassemble in the reverse order.



LIGHT BULB REQUIREMENTS

Quantity of 2 clear chandelier or candelabra bulbs with an E-12 (small) socket base, 60 watt rating.

DFO2607

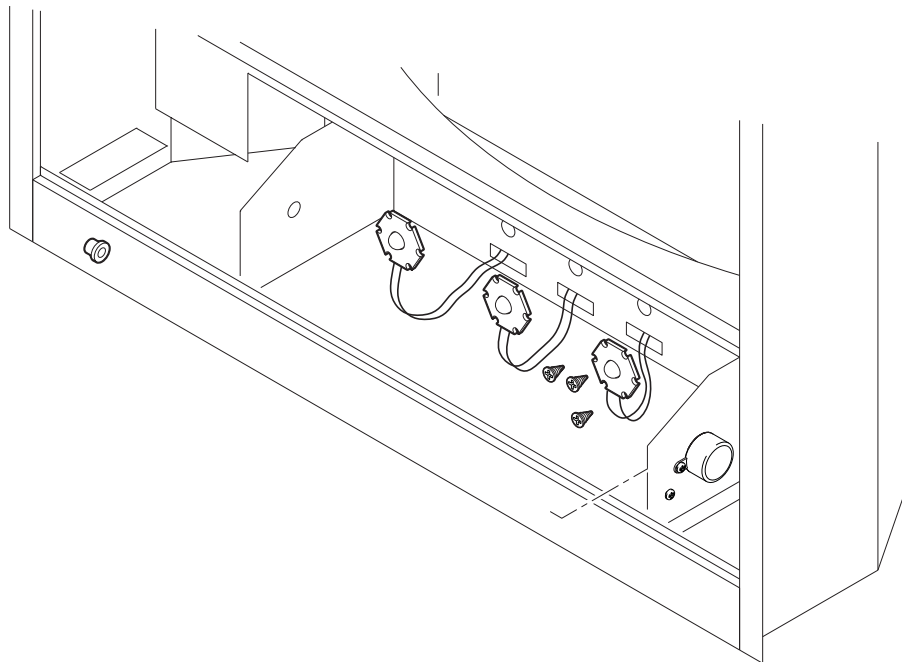
Disconnect power before attempting any maintenance or cleaning to reduce the risk of electric shock or damage to persons.

Lights need to be replaced when you notice a dark section of the flame. There are three lights under the log set which generate the flames and embers located under the emberbed.

It is a good idea to replace all of the lights at one time if they are close to the end of their rated life. Group replacement will reduce the number of times you need to open the unit to replace the lights.

LOWER LIGHT REPLACEMENT

1. Remove the front glass as shown on page 6 of this manual.
2. Remove the top trim piece by removing the 3 retaining screws.
3. Remove the 10 retaining screws and lift the top off of the unit.
4. Unplug the lower light wiring harness from the circuit board.
5. Remove the flame rod.
6. Remove the 3 screws holding each light and remove the light assembly from the unit.
7. Reassemble in the reverse order.

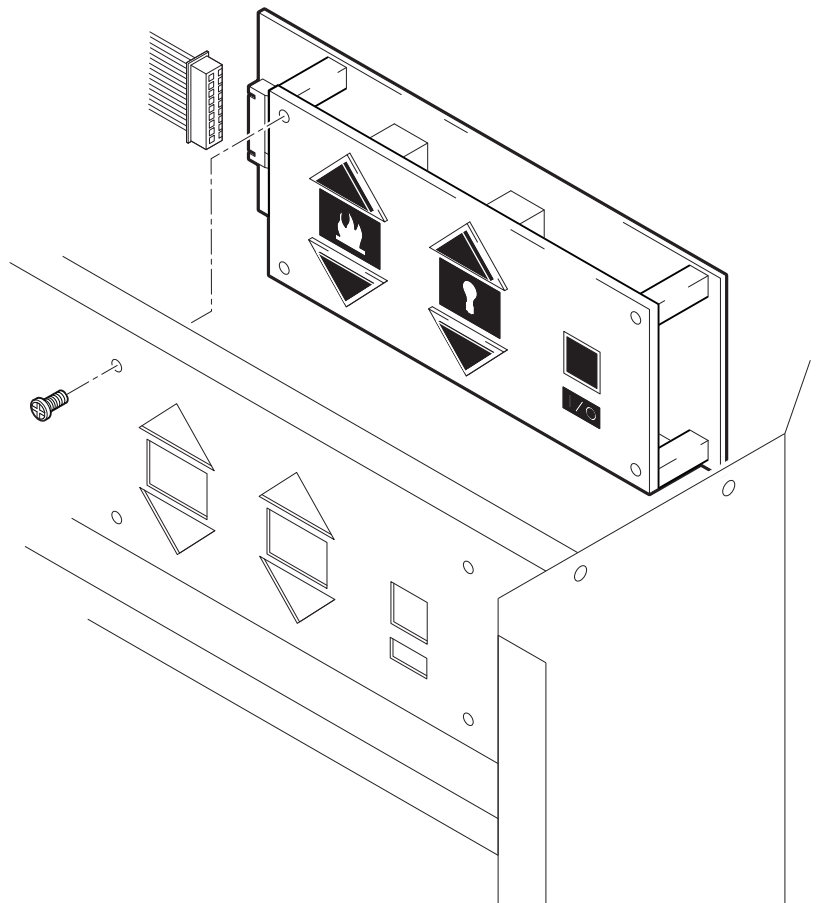


DFO2607

Disconnect power before attempting any maintenance or cleaning to reduce the risk of electric shock or damage to persons.

MAIN ON/OFF SWITCH REPLACEMENT

1. Remove the front glass as shown on page 6 of this manual.
2. Remove the top trim piece by removing the 3 retaining screws.
3. Remove the 10 retaining screws and lift the top off of the unit.
4. Locate the main on/off/flame control mounted on the top panel and disconnect the wiring plug noting it's original location.
5. Remove the 4 mounting screws on the front of the top panel and remove the control from the unit.
6. Reassemble in the reverse order.



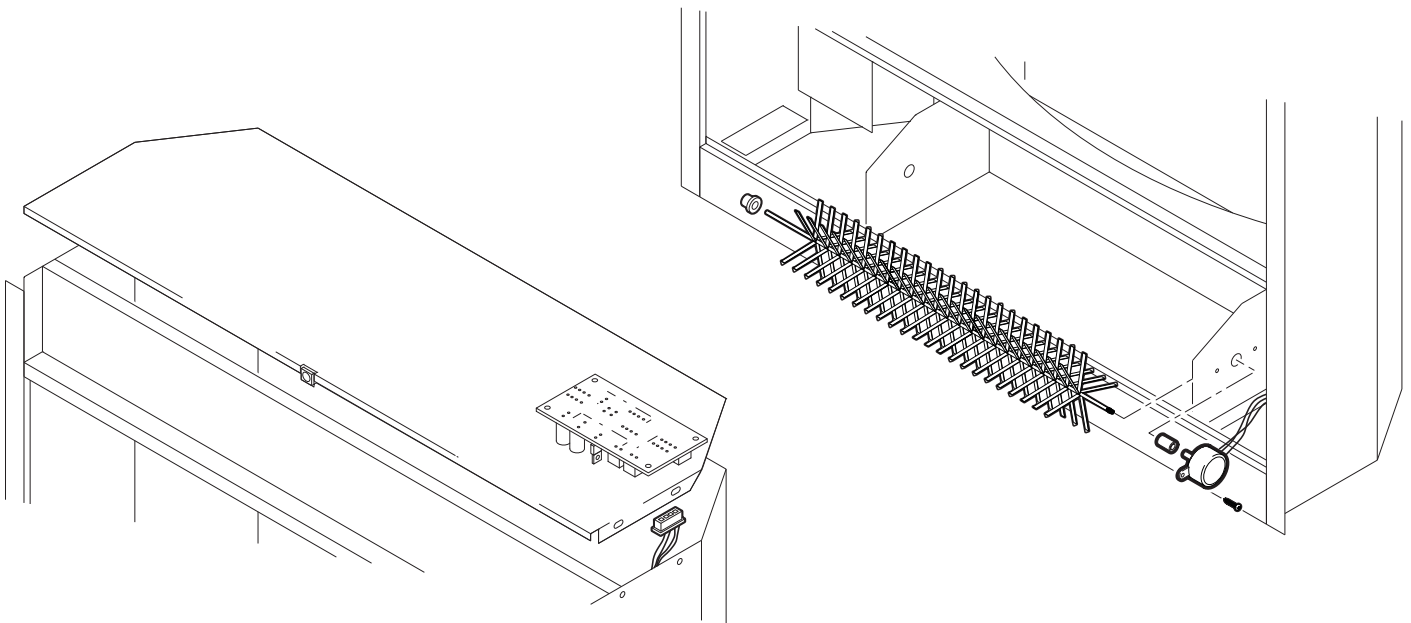
DFO2607

If unit was operating prior to servicing allow at least 10 minutes for light bulbs and heating element to cool off to avoid accidental burning of skin.

Disconnect power before attempting any maintenance or cleaning to reduce the risk of electric shock or damage to persons.

FLAME ROD AND MOTOR REPLACEMENT

1. Remove the front glass as shown on page 6 of this manual.
2. Remove the top trim piece by removing the 3 retaining screws.
3. Remove the 10 retaining screws and lift the top off of the unit
1. Remove the reflector rod from the flame motor by pulling the end of the rod to the left and carefully remove flame rod from rubber sleeve.
4. Remove the 2 screws securing the flame motor to the flame motor bracket
5. Disconnect motor wiring connections form circuit board.
6. Discard the old motor.
7. Reassemble in the reverse order as above.



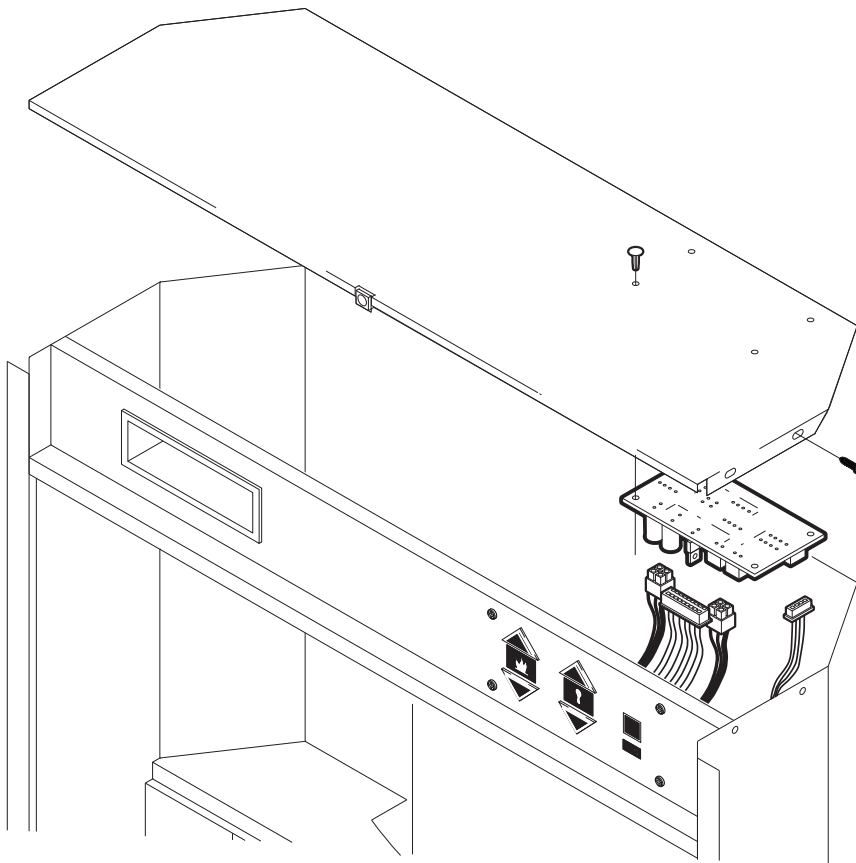
DFO2607

If unit was operating prior to servicing allow at least 10 minutes for light bulbs and heating element to cool off to avoid accidental burning of skin.

Disconnect power before attempting any maintenance or cleaning to reduce the risk of electric shock or damage to persons.

TO REPLACE THE CIRCUIT BOARD

1. Remove the front glass as shown on page 6 of this manual.
 2. Remove the top trim piece by removing the 3 retaining screws.
 3. Remove the 10 retaining screws and lift the top off of the unit.
 4. Locate the circuit board on the underside of the top cover.
 5. Remove wiring connections from circuit board noting their original locations.
 6. From under the top panel, break off the six mounting studs on the circuit board by grasping with pliers and twisting on the protruding part of the stud, push the remainder of the studs out through the top panel.
- NOTE:** New mounting studs are supplied with the replacement circuit board.
7. Properly orientate the new circuit board and connect all of the wiring connections



DFO2607

If unit was operating prior to servicing allow at least 10 minutes for light bulbs and heating element to cool off to avoid accidental burning of skin.

Disconnect power before attempting any maintenance or cleaning to reduce the risk of electric shock or damage to persons.

TO REPLACE THE AUDIO BOARD

1. Remove the front glass as shown on page 6 of this manual.
 2. Remove the top trim piece by removing the 3 retaining screws.
 3. Remove the 10 retaining screws and lift the top off of the unit.
 4. Locate the audio board on the underside of the top cover.
 5. Remove wiring connections from audio board noting their original locations.
 6. From under the top panel, break off the six mounting studs on the audio board by grasping with pliers and twisting on the protruding part of the stud, push the remainder of the studs out through the top panel.
- NOTE:** New mounting studs are supplied with the replacement audio board.
7. Properly orientate the new circuit board and connect all of the wiring connections

